

LEGEND

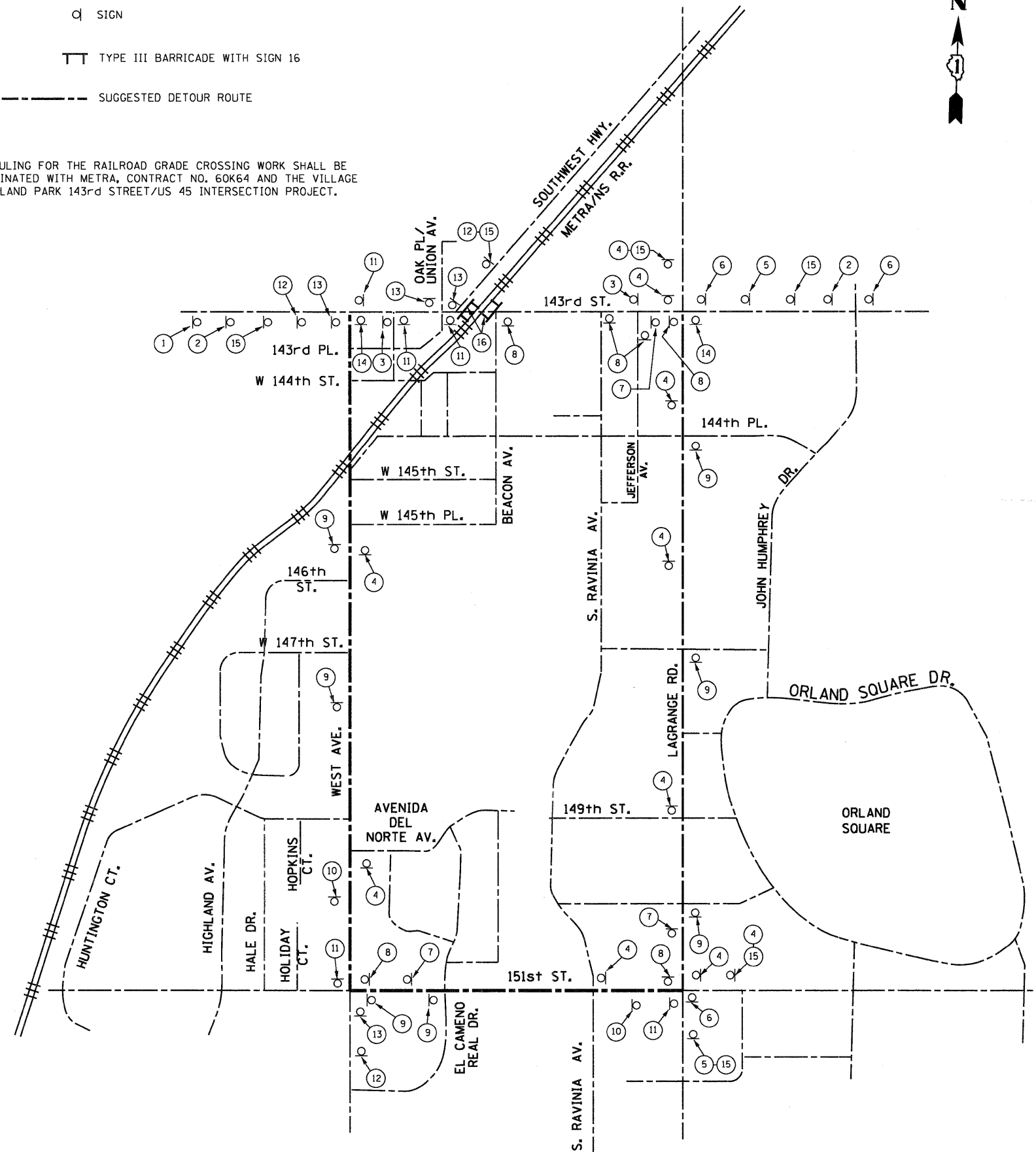
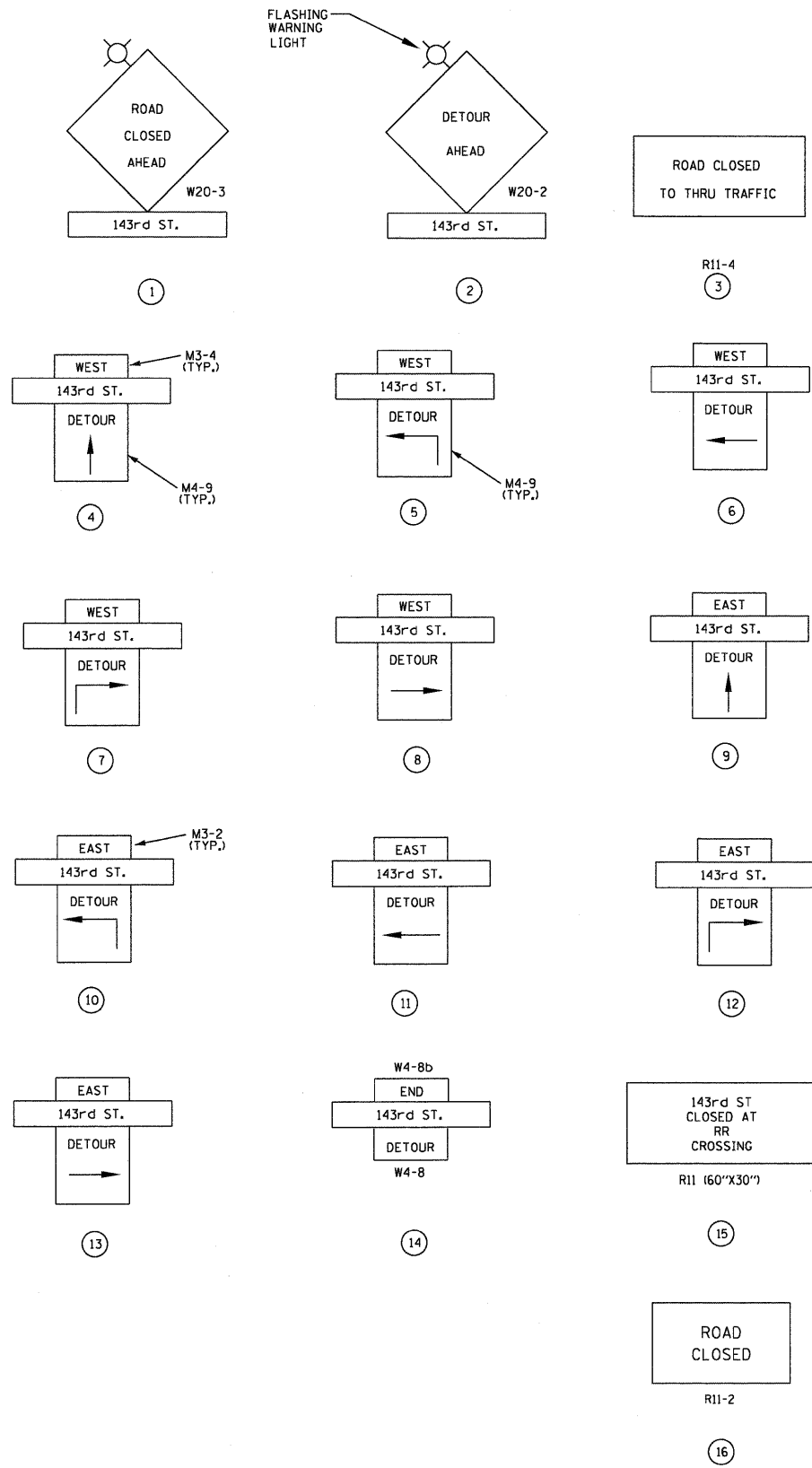
□ SIGN

TT TYPE III BARRICADE WITH SIGN 16

--- SUGGESTED DETOUR ROUTE

NOTE:

SCHEDULING FOR THE RAILROAD GRADE CROSSING WORK SHALL BE COORDINATED WITH METRA, CONTRACT NO. 60K64 AND THE VILLAGE OF ORLAND PARK 143rd STREET/US 45 INTERSECTION PROJECT.



FILE NAME = D160N09-SHT-STAGING02.dgn	USER NAME = TKluogel	DESIGNED - JPW	REVISED -
		DRAWN - JPW	REVISED -
		CHECKED - MJT	REVISED -
		DATE - 12/17/10	REVISED -

STATE OF ILLINOIS
 DEPARTMENT OF TRANSPORTATION

MAINTENANCE OF TRAFFIC TEMPORARY DETOUR PLAN
 FOR 143rd STREET RR CROSSING

SCALE: N.T.S. SHEET NO. 2 OF 2 SHEETS STA. TO STA.

F.A.P. RTE. 330	SECTION 2010-135-1	COUNTY COOK	TOTAL SHEETS 101	SHEET NO. 26
MN-02		CONTRACT NO. 60N09		
ILLINOIS FED. AID PROJECT				