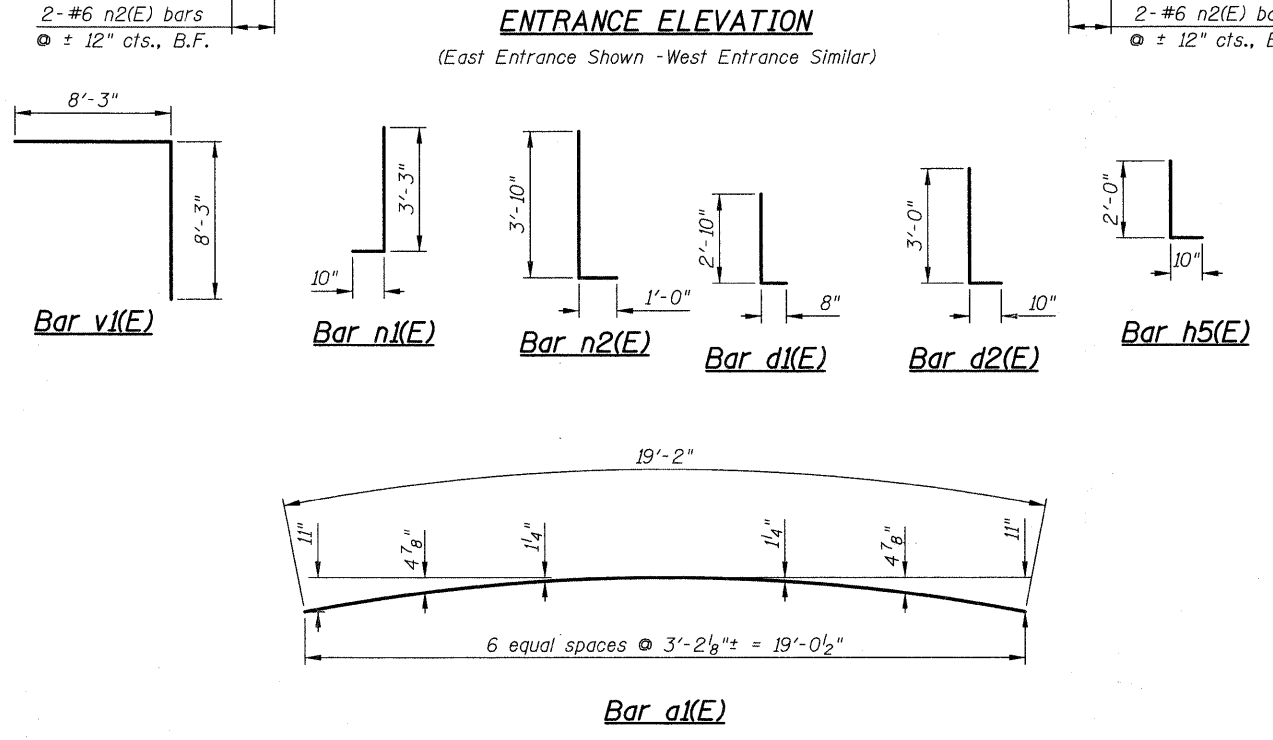
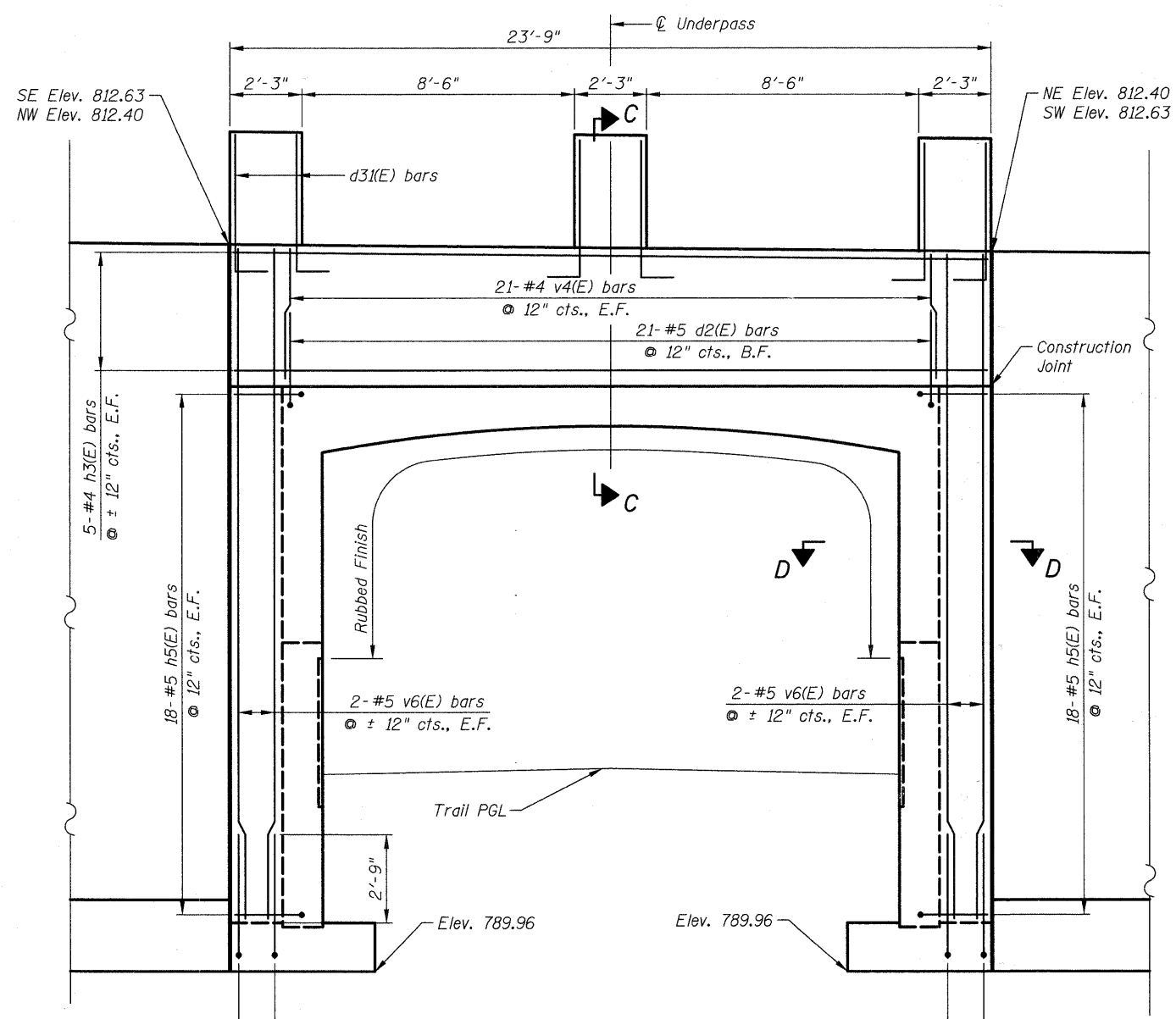
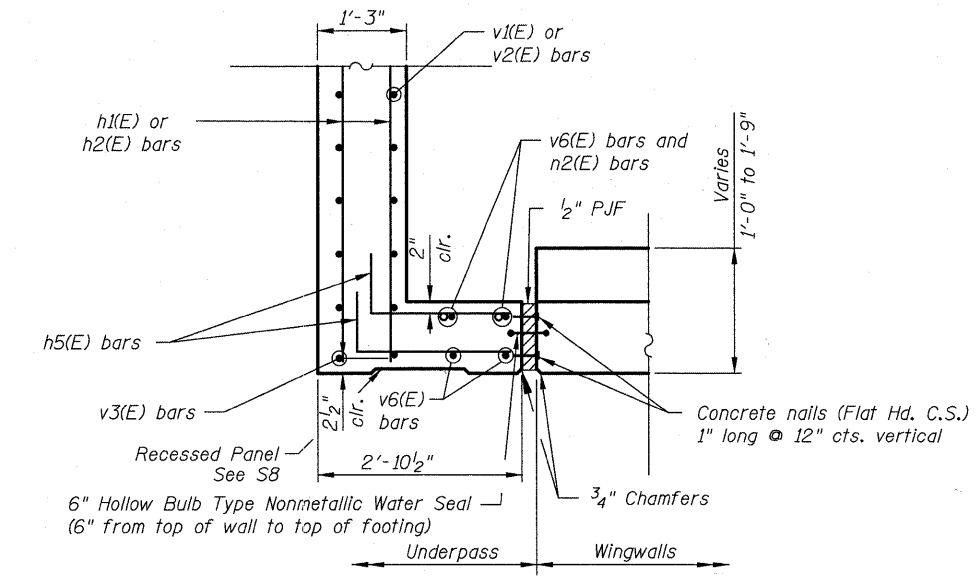
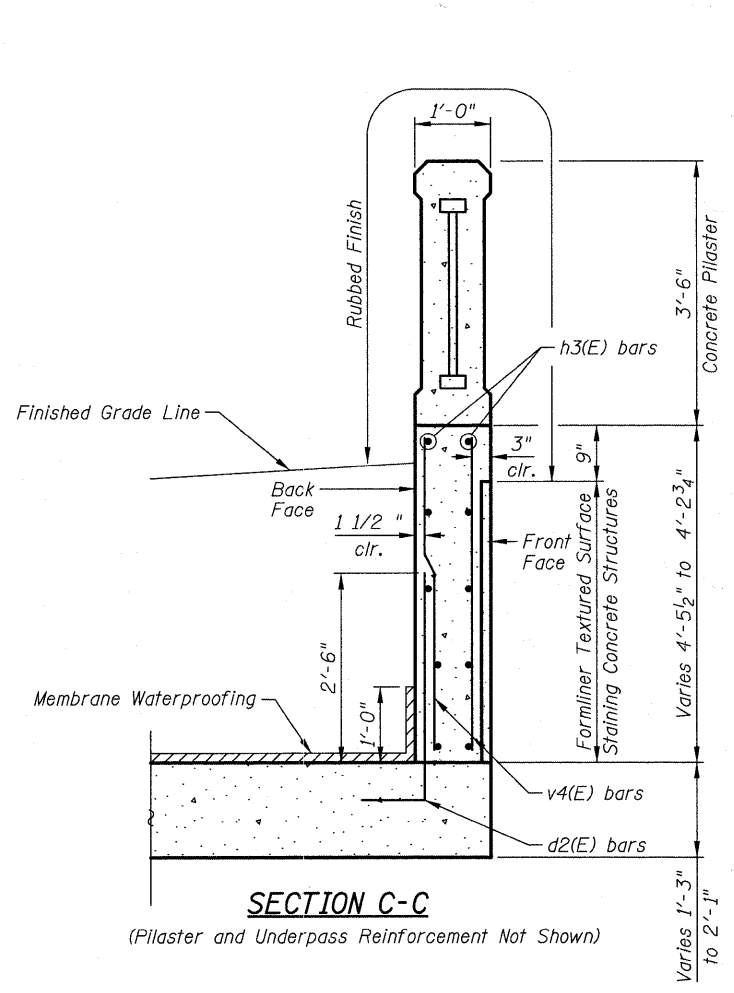


BILL OF MATERIAL
(For Underpass)

Bar	No.	Size	Length	Shape
a ₁ (E)	169	#8	19'-2"	—
a ₂ (E)	169	#6	15'-9"	—
b ₁ (E)	120	#5	28'-4"	—
b ₂ (E)	80	#5	22'-11"	—
d ₁ (E)	21	#4	3'-6"	—
d ₂ (E)	42	#5	3'-10"	—
h ₁ (E)	204	#5	28'-4"	—
h ₂ (E)	136	#5	22'-11"	—
h ₃ (E)	20	#4	23'-5"	—
h ₄ (E)	6	#4	20'-0"	—
h ₅ (E)	144	#5	2'-10"	—
n ₁ (E)	254	#5	4'-1"	—
n ₂ (E)	8	#6	4'-10"	—
v ₁ (E)	338	#9	16'-6"	—
v ₂ (E)	338	#6	13'-8"	—
v ₃ (E)	338	#5	16'-2"	—
v ₄ (E)	84	#4	3'-11"	—
v ₅ (E)	21	#4	2'-10"	—
v ₆ (E)	16	#5	20'-7"	—
t ₁ (E)	508	#5	4'-0"	—
w ₁ (E)	60	#5	28'-4"	—
w ₂ (E)	40	#5	22'-11"	—

Item	Unit	Quantity
Porous Granular Embankment, Special	Cu. Yd.	552
Structural Excavation	Cu. Yd.	2,912
Concrete Structures	Cu. Yd.	407.9
Formliner Textured Surface	Sq. Ft.	1,160
Reinforcement bars Epoxy Coated	Pound	66,980
Membrane Waterproofing	Sq. Ft.	2,813
Geocomposite Wall Drain	Sq. Yd.	430
Pipe Underdrain for Structures, 6"	Foot	272
Rubbed Finish	Sq. Ft.	4,310
Staining Concrete Structures	Sq. Yd.	129

Bars indicated thus 13x3 - #6 etc. indicates 13 lines of bars with 3 lengths per line.



REVISIONS	
NAME	DATE

j:\2130\phase 2\cod\sheet\07_struct\04_underpass_dtlis.dgn 12/15/2010 12:28 PM