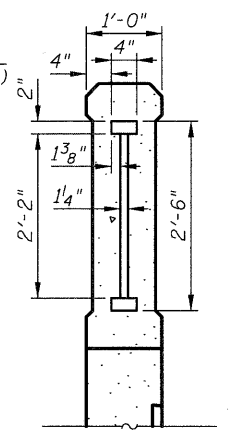
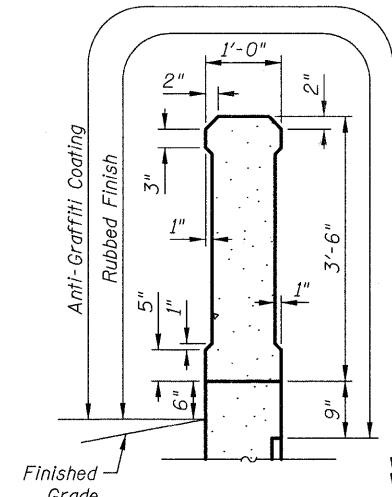


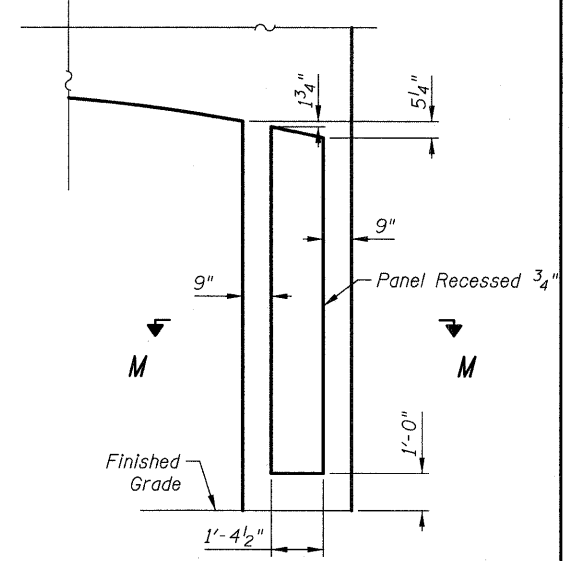
TYPICAL END SECTION



SECTION L-L

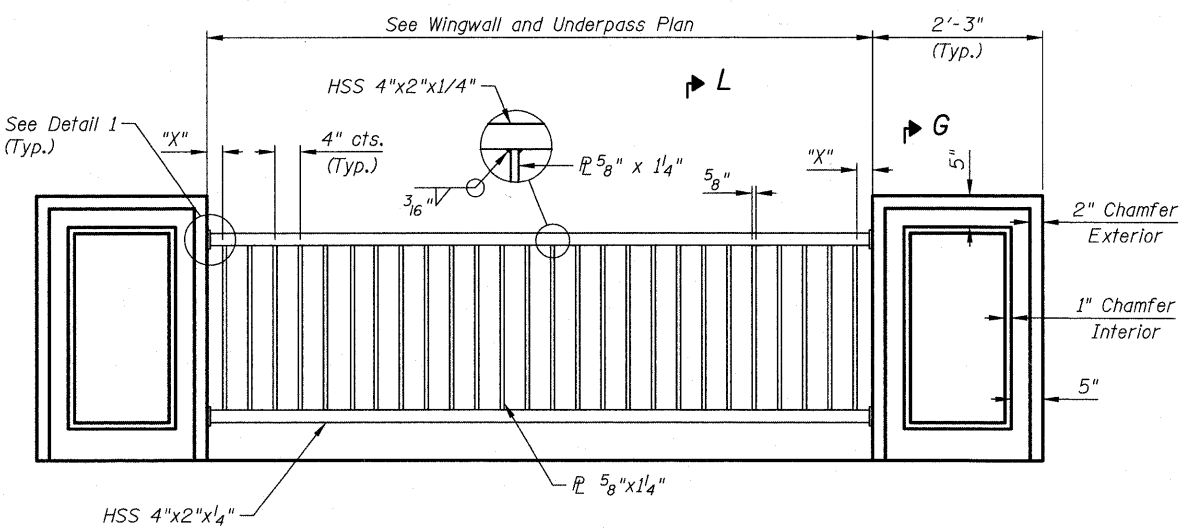


SECTION G-G



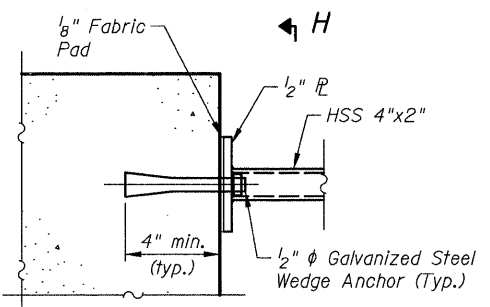
DETAIL 3

Recessed Panel Detail

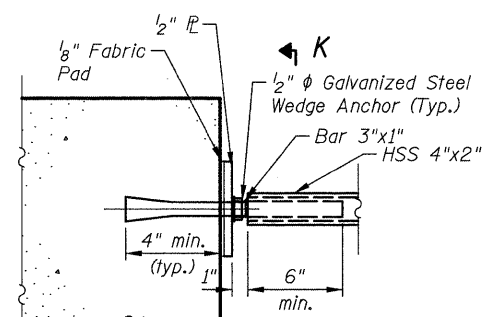


TYPICAL RAILING ELEVATION

Dimension "X" Equals Remaining Distance After Even Plate Spacing

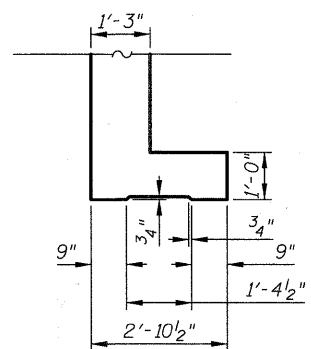


DETAIL 1

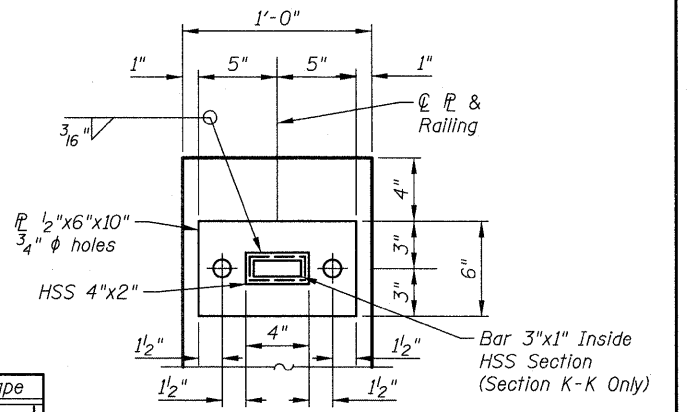


DETAIL 2

Railing Expansion Joint Detail



SECTION M-M



SECTION H-H

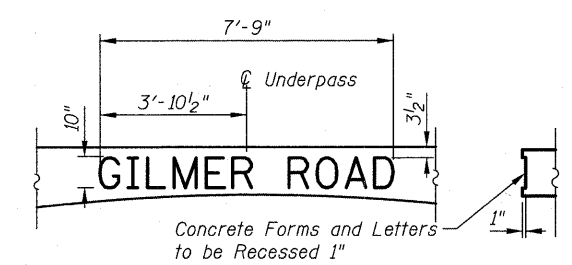
SECTION K-K

BILL OF MATERIAL

(For Pilasters)

Bar	No.	Size	Length	Shape
d ₃₁ (E)	72	#6	5'-3"	
e ₃₁ (E)	72	#4	5'-11"	
Item	Unit	Quantity		
Concrete Structures	Cu. Yd.	4.6		
Reinforcement Bars, Epoxy Coated	Pound	860		
Rubbed Finish	Sq. Ft	450		
Anti-Graffiti Coating	Sq. Ft	450		
* Ornamental Railing	Foot	145		

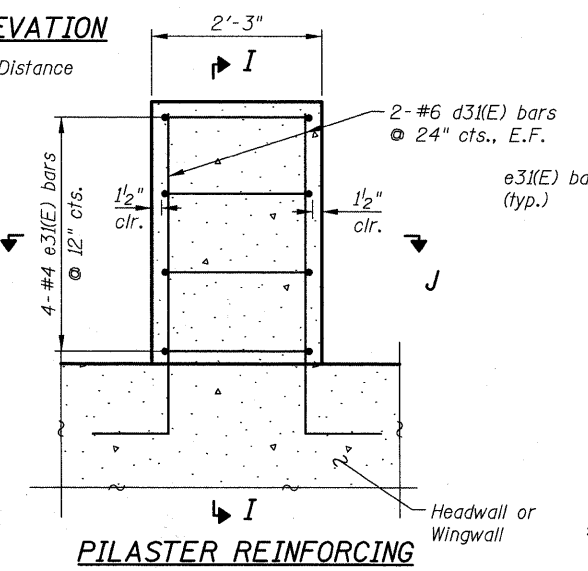
* Special Provision



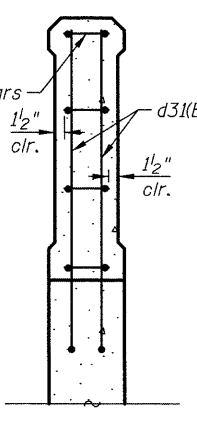
TEXT DETAIL

Font Style to be Callisto MT

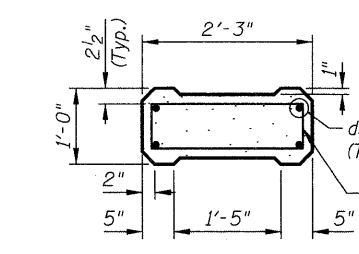
450 E Devon Ave, Suite 300
Itasca, Illinois 60143
Tel: 630.773.3900 Fax: 630.773.3975
www.civiltechinc.com



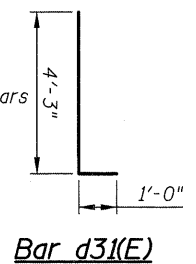
PILASTER REINFORCING



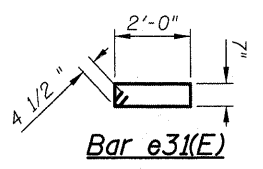
SECTION I-I



SECTION J-J



Bar d₃₁(E)



Bar e₃₁(E)

ARCHITECTURAL DETAILS
GILMER ROAD TRAIL UNDERPASS
SEC 08-F3000-07-BT
STA. 274+14.15
STRUCTURE NO. 049-N006

REVISIONS	
NAME	DATE