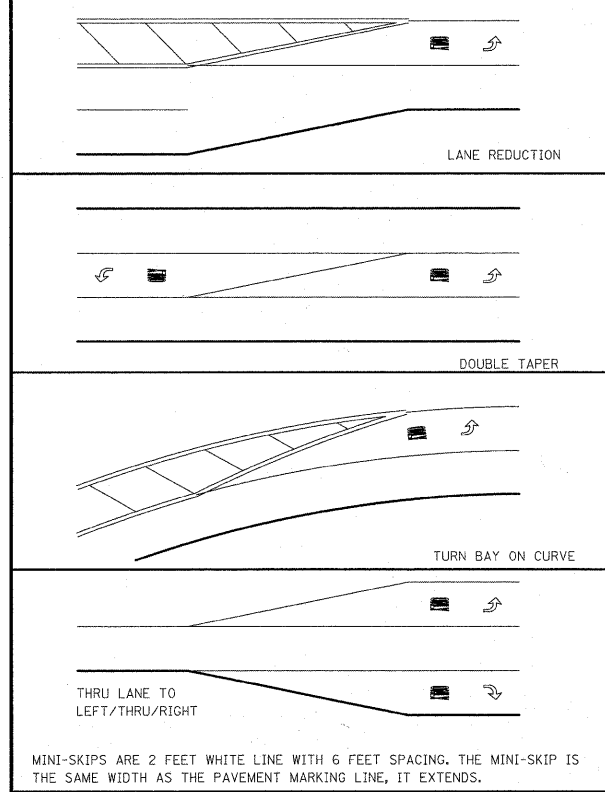


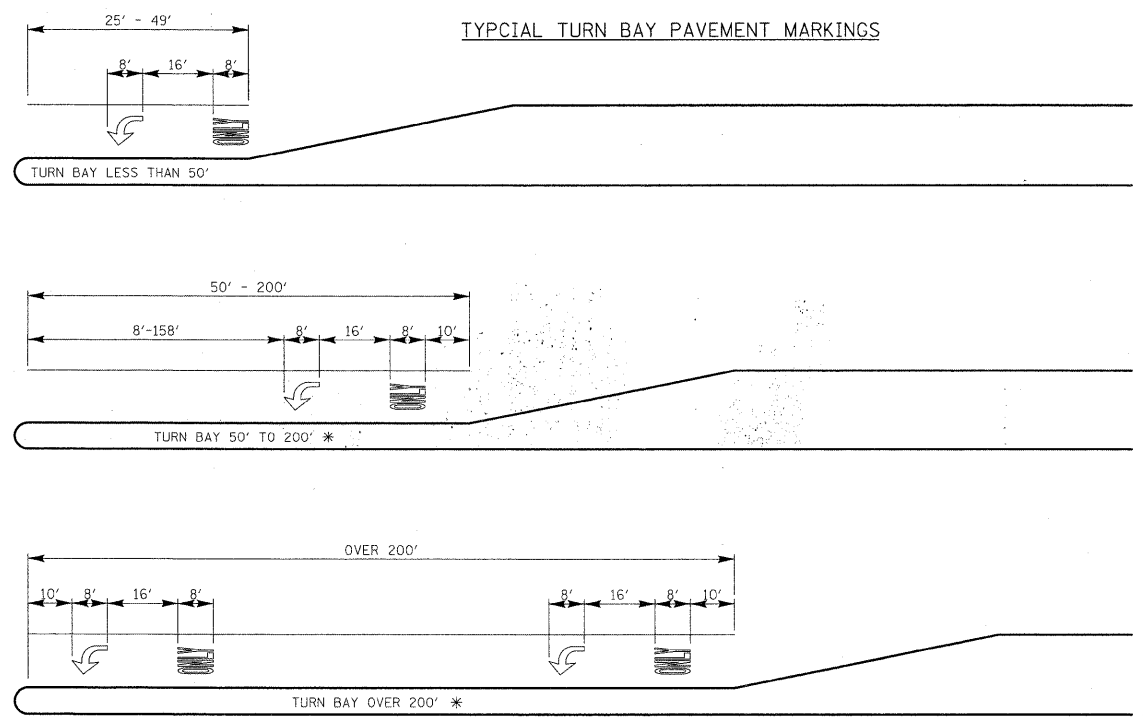
DATE: _____ BY: _____
 SURVEYED PLOTTED
 NOTE BOOK TEMPLATE
 AREAS CHECKED

DATE: _____ BY: _____
 SURVEYED PLOTTED
 NOTE BOOK TEMPLATE
 AREAS CHECKED

TYPICAL MINI-SKIP PAVEMENT MARKINGS



TYPICAL PAVEMENT MARKINGS



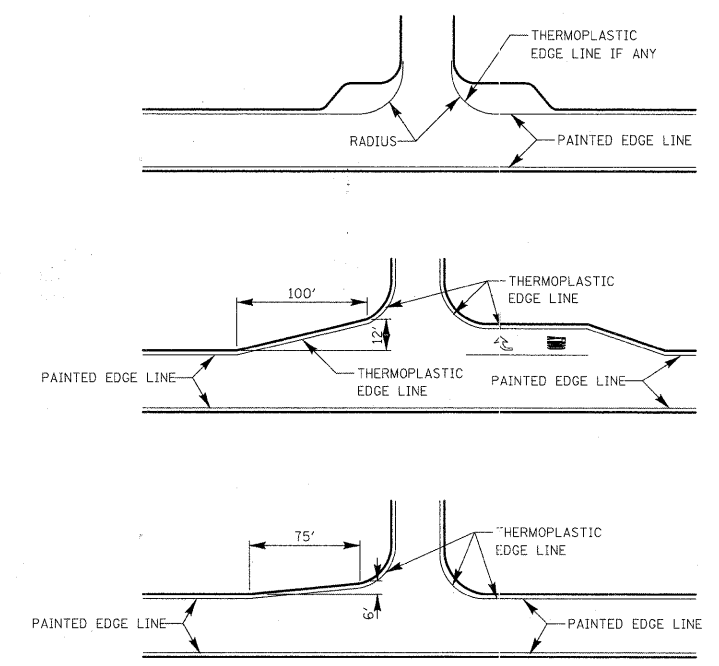
* AT INTERSECTIONS WITH VIDEO DETECTION, THE ARROW AND ONLY PAVEMENT MARKINGS SHALL BE A MINIMUM OF 30' BEHIND THE STOP BAR.

AREA = 15.6 SQ. FT.

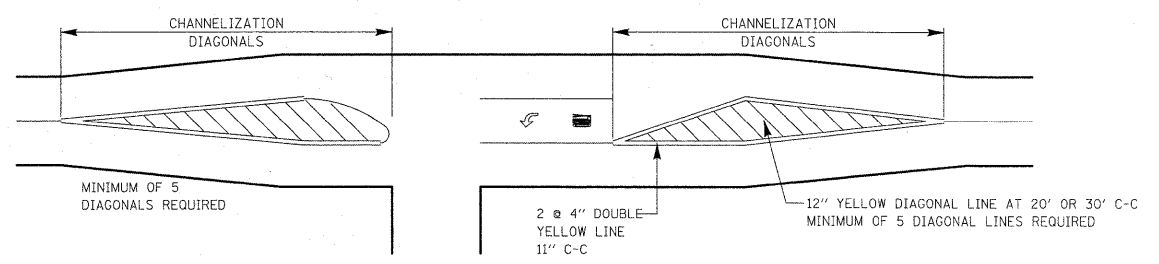
AREA = 20.8 SQ. FT.

FULL SIZE LETTERS (8") AND ARROWS SHALL BE USED. TURN LANES IN EXCESS OF 400' IN LENGTH MAY HAVE AN ADDITIONAL SET OF ARROW W/ "ONLY" INSTALLED MIDWAY BETWEEN THE OTHER TWO SETS OF ARROW W/ "ONLY".

EDGE LINE RADII AT SIDE STREETS

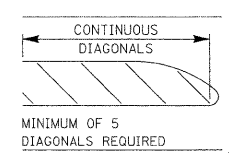


TWO LANE ROAD

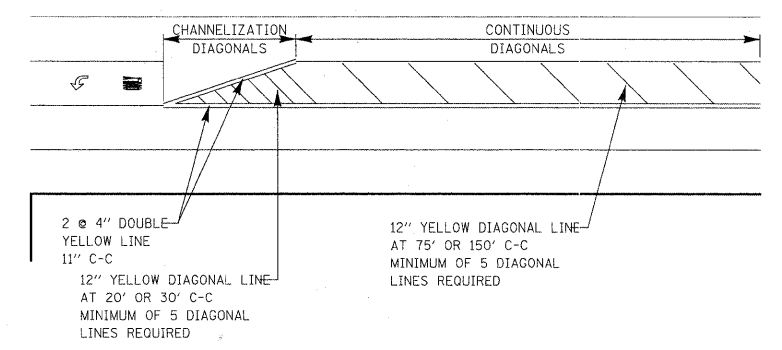


TYPICAL DIAGONAL SPACING

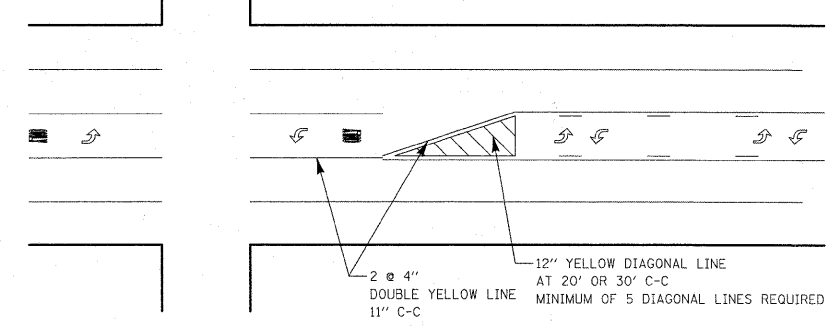
SPEED LIMIT RANGE	CONTINUOUS	INTERSECTION CHANNELIZATION
30-45 MPH	75 FT.	20 FT.
OVER 45 MPH	150 FT.	30 FT.



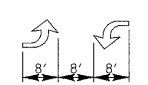
3 TO 5 LANE ROAD



TWO-WAY LEFT TO LEFT TURN BAY



DUAL LEFT TURN ARROWS



A MINIMUM OF TWO PAIRS OF DUAL LEFT TURN ARROWS SHALL BE USED. THE DUAL LEFT TURN ARROWS SHALL BE WHITE IN COLOR. THE INTERVAL BETWEEN SETS OF DUAL LEFT TURN ARROWS SHOULD BE 200' AND 300'.

31.2 SQ. FT. MINIMUM OF 2 SETS REQUIRED

REVISIONS	DATE	APPROVED BY
Separated Railroad Sheet	6/2/2008	A. KHAWAJA

Lake County Division of Transportation

DATE: APRIL 1, 2007

TYPICAL PAVEMENT MARKINGS FOR COUNTY HIGHWAYS

SHEET 1 OF 2

NO.	DESCRIPTION	DATE	BY	SURVEYOR	DSGNER/LIAISON	PLOTTED BY



LAKE COUNTY STANDARDS & DETAILS

ROUTE	SECTION	SECTION NUMBER	SHEET	SHEETS
CHXX	XXX	XX-XXXXX-XX-XX	XXX	XXX

USER NAME	DESIGNED - PK	REVISED -
pk	PK	-
FILE NAME	DRAWN - JRR	REVISED -
...sheet\09 DET\2130_DET01.dgn	JRR	-
PLOT SCALE	CHECKED - RTM	REVISED -
1.00 / IN.	RTM	-
PLOT DATE	DATE - 12/17/2010	REVISED -
12/14/2010	12/17/2010	-

STATE OF ILLINOIS
 DEPARTMENT OF TRANSPORTATION

CONSTRUCTION DETAILS
 FORT HILL TRAIL BIKE PATH UNDERPASS

F.A.U. RTE.	SECTION	COUNTY	TOTAL SHEETS	SHEET NO.
3602	08-F3000-07-BT	LAKE	60	56

CONTRACT NO. 63422

FED. ROAD DIST. NO. 1 ILLINOIS FED. AID PROJECT

SHEET NO. OF SHEETS STA. TO STA.