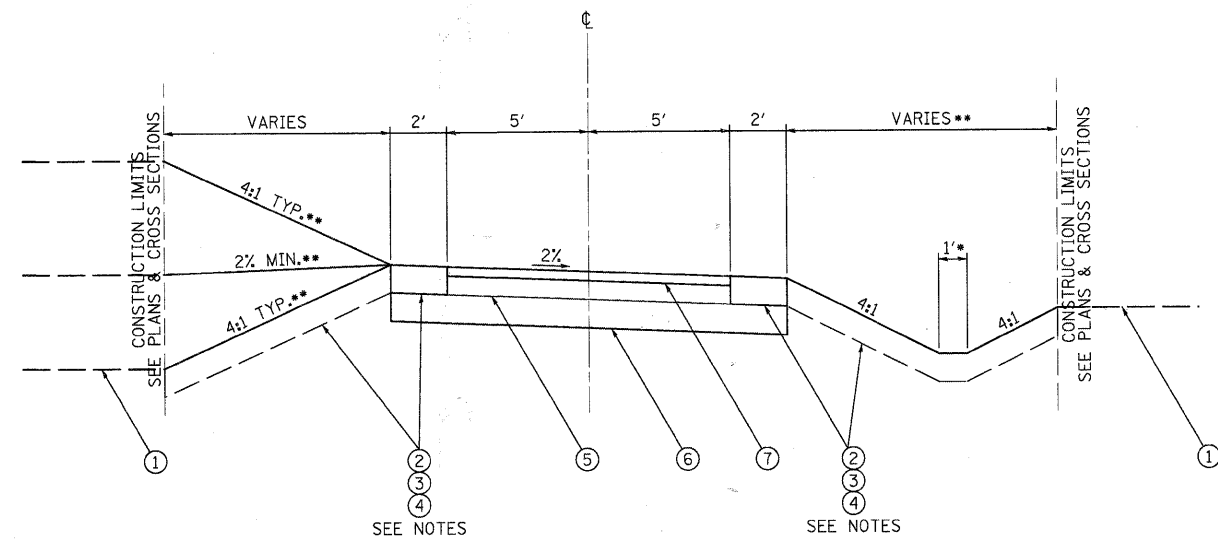


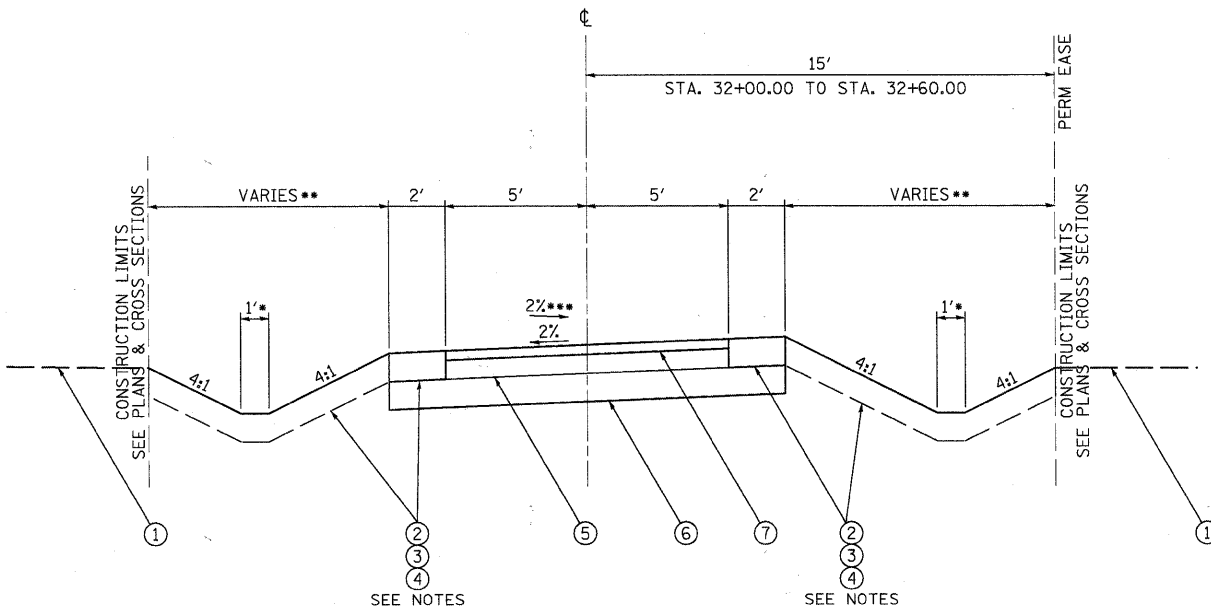
- * SEE CROSS SECTIONS FOR PROPOSED SLOPE
- ** SEE CROSS SECTIONS FOR DIRECTION OF PROPOSED CROSS SLOPE
- *** 6.0' FROM STA. 19+50 TO STA. 19+93.46
- **** STA. 41+60.0 TO STA. 42+97.57 PROVIDE 3' SHOULDERS AND 3:1 SIDE SLOPES

STATION RANGES
STA. 19+50 TO STA. 19+93.46
STA. 25+10 TO STA. 32+00
STA. 37+33 TO STA. 38+80
STA. 39+50 TO STA. 41+00
STA. 41+60 TO STA. 42+97.57



- * SEE PLANS & CROSS SECTIONS FOR SWALE ELEVATION
- ** SEE PLANS & CROSS SECTIONS

STATION RANGES
STA. 35+00 TO STA. 37+33
STA. 38+80 TO STA. 39+50



- * SEE PLANS & CROSS SECTIONS FOR SWALE ELEVATION
- ** SEE PLANS & CROSS SECTIONS
- *** SEE CROSS SECTIONS FOR DIRECTION OF PROPOSED CROSS SLOPE

STATION RANGES
STA. 32+00 TO STA. 35+00

LEGEND

- ① EXISTING GROUND
- ② TOPSOIL PLACEMENT, 6"
- ③ SEEDING, CLASS 1 B & FERTILIZING ON 2' SHOULDERS
- ④ EROSION CONTROL BLANKET
- ⑤ AGGREGATE BASE COURSE, TY B, 4"
- ⑥ SUB-BASE GRANULAR MATERIAL, TY B, 6"
- ⑦ HOT-MIX ASPHALT SURFACE COURSE, MIX "C", N50, 2"

NOTES:

1. TYPICAL ON DISTURBED AREAS WITHIN CONSTRUCTION LIMITS
2. ON DISTURBED AREAS BEYOND THE 2' SHOULDERS, PROVIDE SEEDING OF THE CLASS SHOWN ON THE EROSION CONTROL & SEDIMENT PLANS, SHEET NOS. 17 AND 18

HOT-MIX ASPHALT MIXTURE REQUIREMENTS	
ITEM	AIR VOIDS N _{DES}
BIKE PATH	
HOT-MIX ASPHALT SURFACE COURSE, MIX "C", N50 (IL 9.5 mm), 2"	4% @ 50 GYR.
PATCHING	
CLASS D PATCHES (HMA BINDER IL-19 mm), 6"	4% @ 70 GYR.

THE UNIT WEIGHT USED TO CALCULATE ALL HMA SURFACE MIXTURE QUANTITIES IS 112 LB/SQ YD/IN.

THE "AC TYPE" FOR POLYMERIZED HMA MIXES SHALL BE "SBS/SBR PG 70-22" AND FOR NON-POLYMERIZED HMA THE "AC TYPE" SHALL BE "PG 64-22" UNLESS MODIFIED BY DISTRICT ONE SPECIAL PROVISIONS. FOR "PERCENT OF RAP" SEE DISTRICT ONE SPECIAL PROVISIONS.

FILE NAME = P:\BIBEL WEST Projects\2009\123140 FoxRvr-Tr-Ph-II\Civil\09n\shh\TYP01.dgn



USER NAME = #USER#	DESIGNED - DB	REVISED - 10/5/10
PLOT SCALE = N/A	DRAWN - NP	REVISED -
PLOT DATE = 12/20/2010	CHECKED - DB	REVISED -
	DATE - 12/20/10	REVISED -

STATE OF ILLINOIS
DEPARTMENT OF TRANSPORTATION

TYPICAL SECTIONS
AND HOT-MIX-ASPHALT MIXTURE REQUIREMENTS

SCALE: N/A	SHEET NO. 6 OF 58 SHEETS	STA. TO STA.	F.A. RTE.	SECTION	COUNTY	TOTAL SHEETS	SHEET NO.
				05-F3000-06-BT	KANE	58	6
CONTRACT NO. 63517							
FED. ROAD DIST. NO. [ILLINOIS] FED. AID PROJECT							