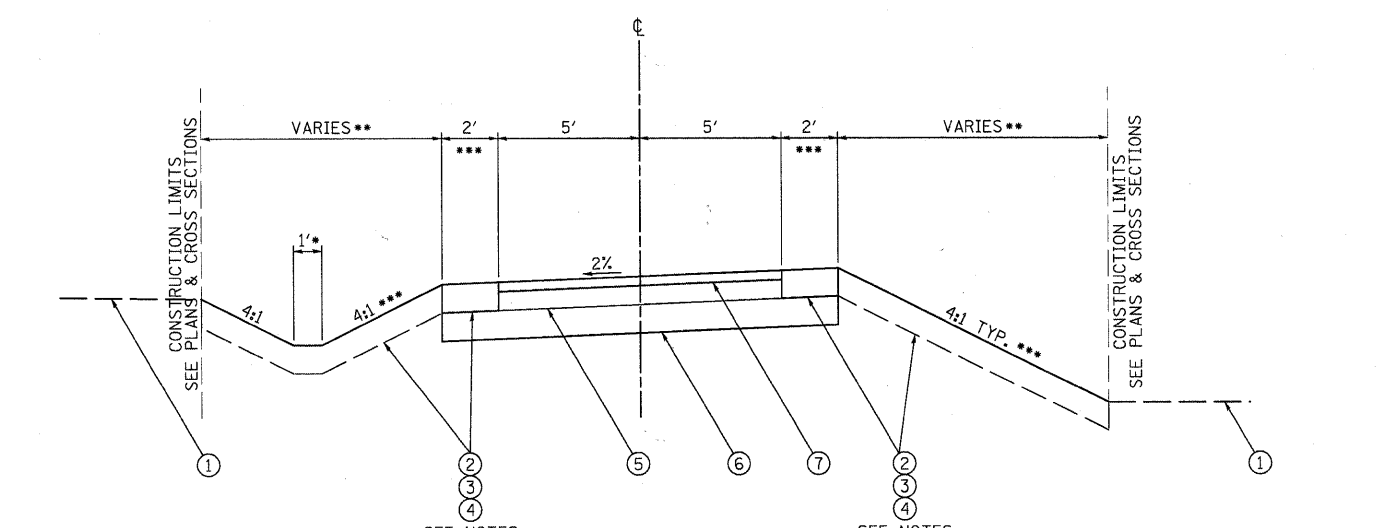
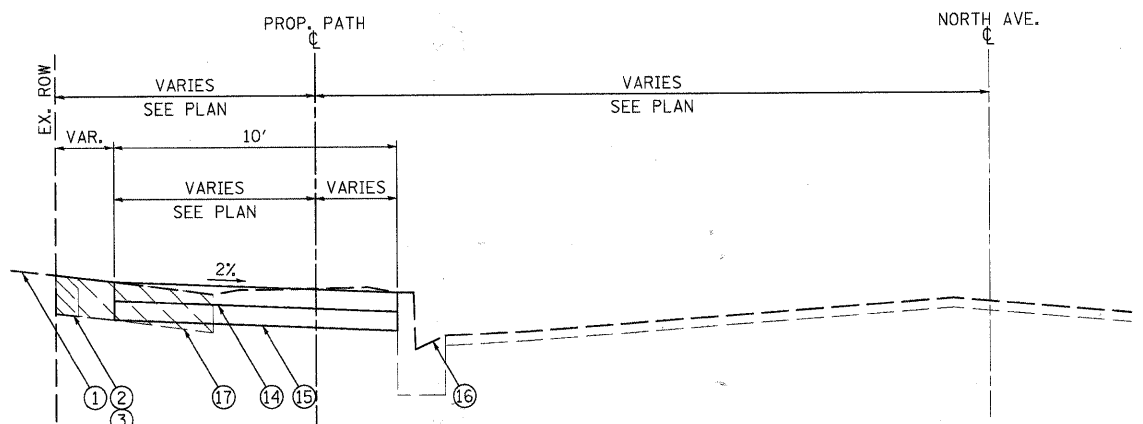


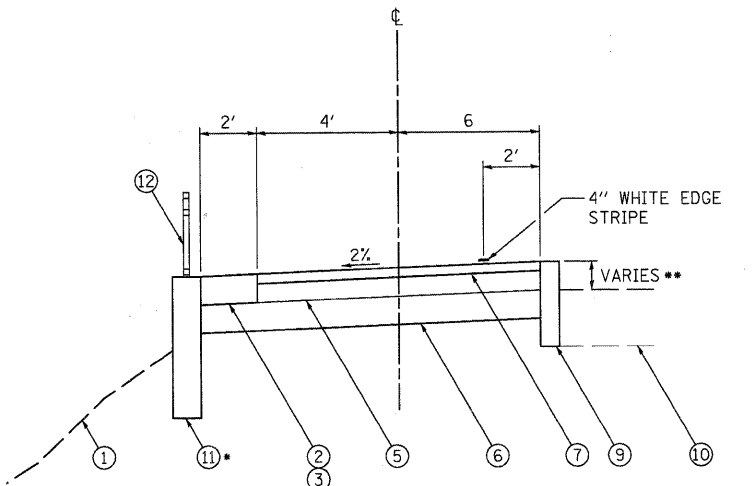
**STATION RANGES**  
STA. 23+71.96 TO STA. 25+10.00



**STATION RANGES**  
STA. 41+00 TO STA. 41+60



**STATION RANGES**  
STA. 46+55.10 TO STA. 48+46.62



\* REINFORCED CONCRETE. RETAINING WALL STA. 43+59.6 TO STA. 43+94.6±  
\*\* SEE DETAIL ON SHEETS 32-36

**STATION RANGES**  
STA. 43+20.75 TO STA. 43+91.30±

**LEGEND**

- ① EXISTING GROUND
- ② TOPSOIL PLACEMENT, 6"
- ③ SEEDING, CLASS 1 B & FERTILIZING ON 2' SHOULDERS
- ④ EROSION CONTROL BLANKET
- ⑤ AGGREGATE BASE COURSE, TY B, 4"
- ⑥ SUB-BASE GRANULAR MATERIAL, TY B, 6"
- ⑦ HOT-MIX ASPHALT SURFACE COURSE, MIX "C", N50, 2"
- ⑧ MSE WALL
- ⑨ CONCRETE CURB, TYPE B (SPECIAL)
- ⑩ EXISTING PARK ENTRANCE
- ⑪ REINFORCED CONCRETE RETAINING WALL
- ⑫ BICYCLE RAILING
- ⑬ PAVEMENT REMOVAL
- ⑭ P.C.C. SIDEWALK, 5"
- ⑮ SUB-BASE GRANULAR MATERIAL, TY B, 4"
- ⑯ EXISTING CURB & GUTTER
- ⑰ SIDEWALK REMOVAL

**NOTES:**

1. TYPICAL ON DISTURBED AREAS WITHIN CONSTRUCTION LIMITS
2. ON DISTURBED AREAS BEYOND THE 2' SHOULDERS, PROVIDE SEEDING OF THE CLASS SHOWN ON THE EROSION CONTROL & SEDIMENT PLANS, SHEET NOS. 17 AND 18

FILE NAME = P:\DBBEL WEST\Projects\2009\123148 Foxforr\T-Plan\Civil\Drawings\TYP02.dgn

**WILLS BURKE KELSEY ASSOCIATES LTD.**  
116 West Main Street, Suite 201  
St. Charles, Illinois 60174  
(630) 443-7755

USER NAME = #USER#	DESIGNED - DB	REVISED - 10/5/10
	DRAWN - NP	REVISED -
PLOT SCALE = N/A	CHECKED - DB	REVISED -
PLOT DATE = 12/28/2010	DATE - 12/20/10	REVISED -

**STATE OF ILLINOIS**  
**DEPARTMENT OF TRANSPORTATION**

**TYPICAL SECTIONS**

SCALE: N/A	SHEET NO. 7 OF 58 SHEETS	STA. TO STA.
------------	--------------------------	--------------

F.A. RTE.	SECTION	COUNTY	TOTAL SHEETS	SHEET NO.
	05-F3000-06-BT	KANE	58	7
CONTRACT NO. 63517				
FED. ROAD DIST. NO.		ILLINOIS FED. AID PROJECT		