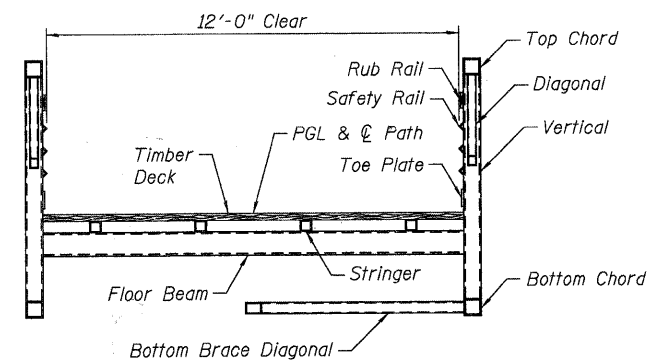


**BRIDGE SECTION
MAIN SPAN**



**BRIDGE SECTION
APPROACH SPANS**

Bridge section details and reaction table loads are for reference only. Pedestrian truss superstructure manufacturer is responsible for design and loads to the substructure.

The substructure is designed per AASHTO and based on the assumed truss loads shown in the tables. If the manufacturer's design exceeds those loads and/or the substructure needs to be adjusted to accommodate the truss superstructure chosen, then the Contractor shall submit the redesign to the Engineer for approval prior to ordering any material or starting construction. All design calculations, shop drawings and redesigned substructure drawings shall be sealed by a Structural Engineer licensed in the State of Illinois and shall be the responsibility of the Contractor.

**BRIDGE REACTION TABLE
175-FOOT SPAN OVER MAIN CHANNEL**

Load Type	P (Lbs.)	H (Lbs.)	L (Lbs.)
Dead Load	33,750	----	----
Uniform Live Load	49,625	----	----
Vehicle Load	10,500	----	----
Wind Uplift (20 psf)	-17,938	----	----
Wind	±10,769	29,094	----
Thermal	-----	-----	5,063

Table References:
P - Vertical load at each base plate (4 per Bridge)
H - Horizontal load at each footing (2 per Bridge)
L - Longitudinal load at each footing (4 per Bridge)
Positive - Downward load; Negative - Upward load

**BRIDGE REACTION TABLE
APPROACH SPANS**

Load Type	P (Lbs.)	H (Lbs.)	L (Lbs.)
Dead Load	10,750	----	----
Uniform Live Load	20,400	----	----
Vehicle Load	10,500	----	----
Wind Uplift (20 psf)	-7,800	----	----
Wind	±2,016	8,400	----
Thermal	-----	-----	1,613

Table References:
P - Vertical load at each base plate (4 per Bridge)
H - Horizontal load at each footing (2 per Bridge)
L - Longitudinal load at each footing (4 per Bridge)
Positive - Downward load; Negative - Upward load

**BRIDGE SECTIONS AND DETAILS
BICYCLE BRIDGE OVER FOX RIVER**

DESIGNED -	DLS
CHECKED -	AEU
DRAWN -	AWH
CHECKED -	DLS



SHEET NO. 3
24 SHEETS

F.A.U RTE.	SECTION 05-F3000-06-BT	COUNTY KANE	TOTAL SHEETS 58	SHEET NO. 24
CONTRACT NO. 63517				
FED. ROAD DIST. NO.		ILLINOIS FED. AID PROJECT		