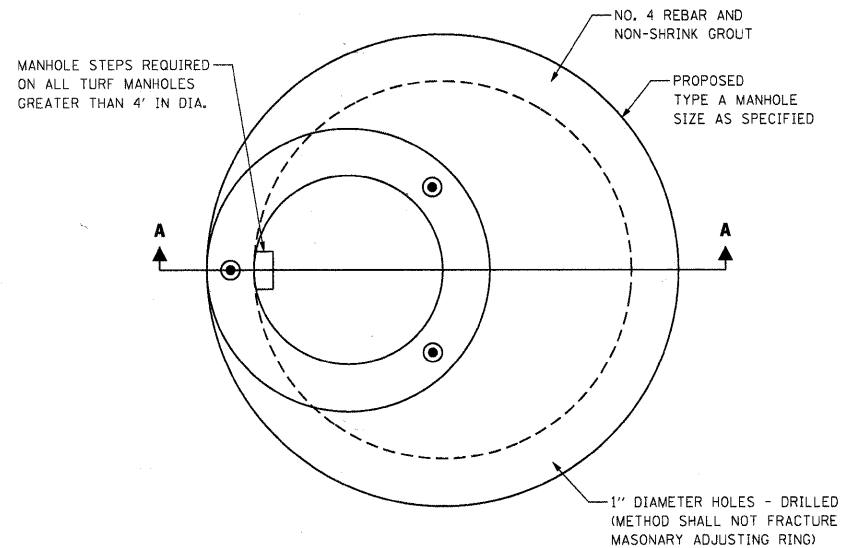
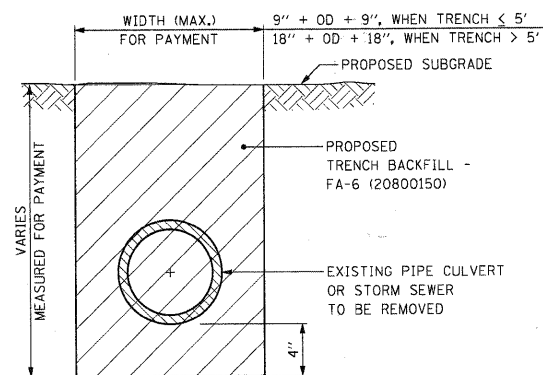


SECTION A-A

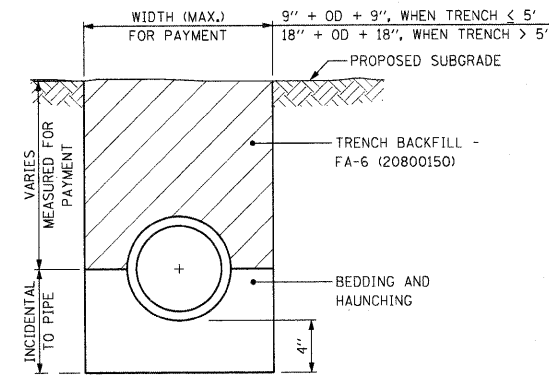


TURF INLET DETAIL

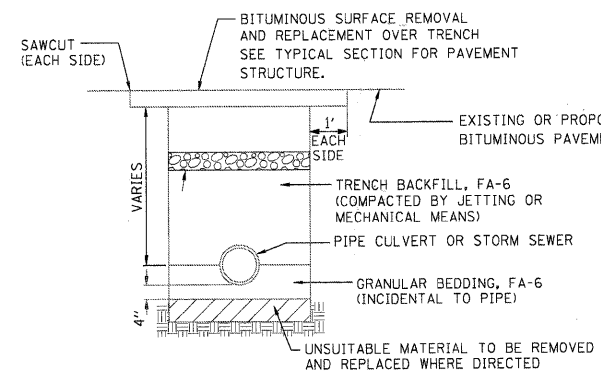
NOTE:  
ANCHORING OF ADJUSTING RINGS ONLY APPLIES TO MANHOLE STRUCTURES USING A TYPE B GRATE (TURF AREAS)



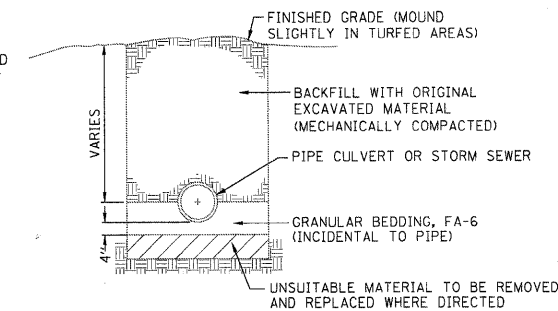
TRENCH BACKFILL - EXIST. PIPE CULVERT/STORM SEWER REMOVAL  
TRENCH BACKFILL REQUIRED IN PAVED AREAS ONLY



PROP. TRENCH - PIPE CULVERT/STORM SEWER DETAIL  
TRENCH BACKFILL REQUIRED IN PAVED AREAS ONLY



ASPHALT PAVEMENT AREAS  
UNDER OR WITHIN 2' OF ANY PAVEMENT, CURB, GUTTER OR WITHIN 1' OF ANY SIDEWALK



NON-PAVED AREAS

FILE NAME = L:\KANE\CD\01292802\Drawn\CADD\_Sheets\A1-Detail.cad



|                             |                   |           |
|-----------------------------|-------------------|-----------|
| USER NAME = Matt Baldwin    | DESIGNED - PWK    | REVISED - |
| PLOT SCALE = 10.0000' / IN. | DRAWN - ERD       | REVISED - |
| PLOT DATE = 12/29/2010      | CHECKED - KDF     | REVISED - |
|                             | DATE - 12/29/2010 | REVISED - |

STATE OF ILLINOIS  
DEPARTMENT OF TRANSPORTATION

CONSTRUCTION DETAILS - 3

SCALE: 1"=10' SHEET NO. OF SHEETS STA. TO STA.

|                           |                        |             |                  |              |
|---------------------------|------------------------|-------------|------------------|--------------|
| F.A.P. RTE. 336           | SECTION 01-00269-00-CH | COUNTY KANE | TOTAL SHEETS 124 | SHEET NO. 87 |
| CONTRACT NO. 63533        |                        |             |                  |              |
| ILLINOIS FED. AID PROJECT |                        |             |                  |              |