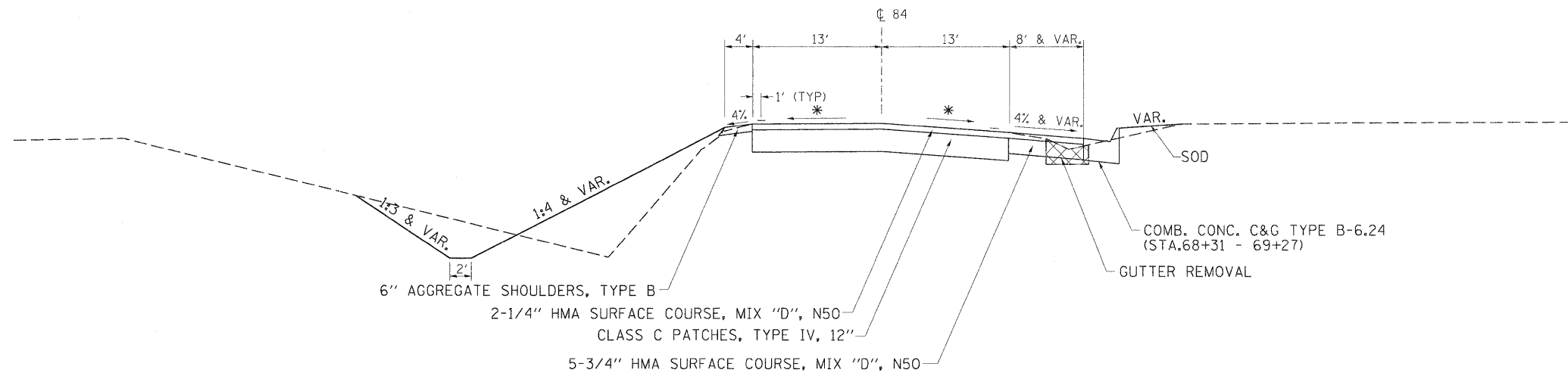


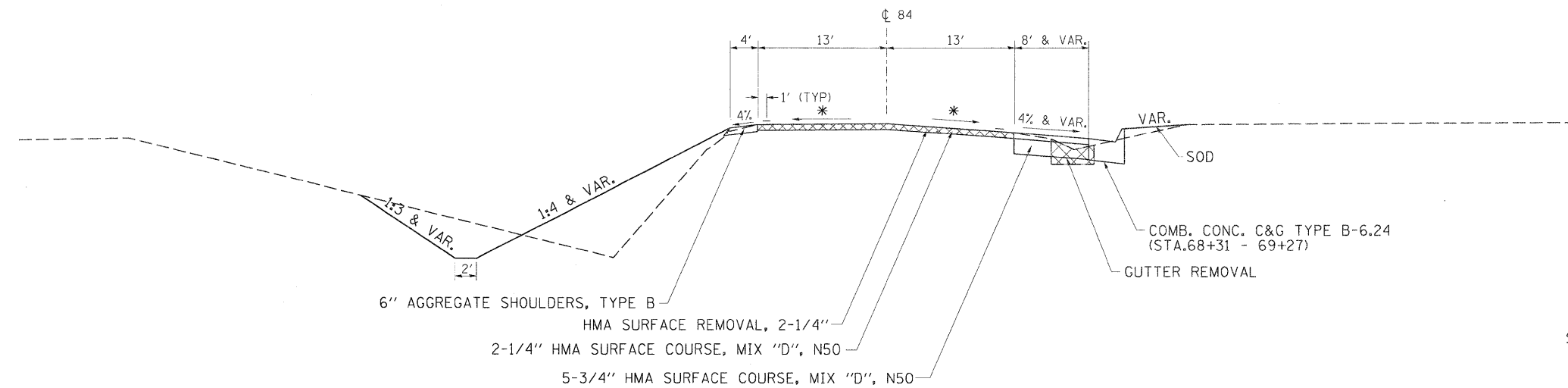
TYPICAL SECTIONS

STA. 68+74 - 69+27

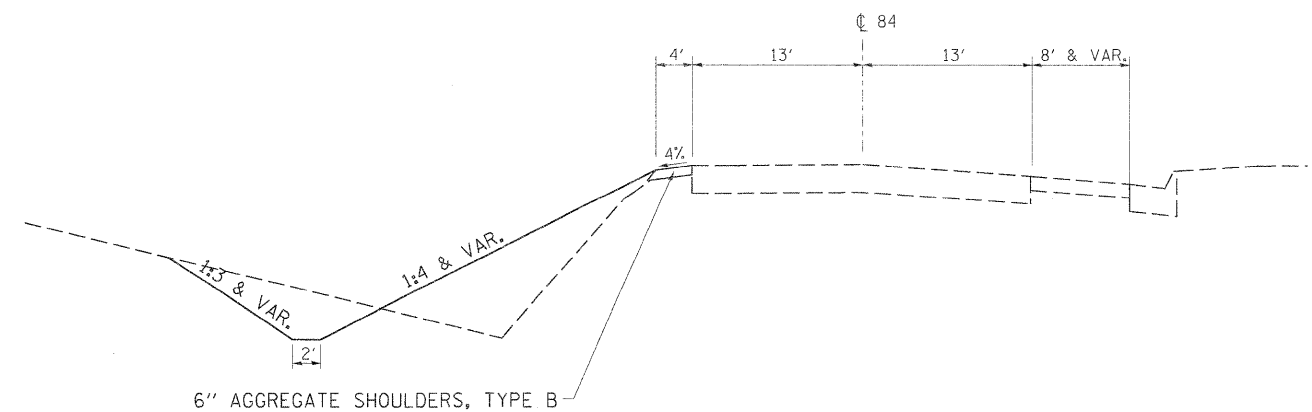


STA. 68+31 - 68+74

* MATCH EXISTING CROSS SLOPE



STA. 69+27 - 70+00



FILE NAME =	USER NAME = cushmanbw	DESIGNED -	REVISED -
c:\pwwork\pwwid\cushmanbw\0133431\0228498-shr-typical.dgn		DRAWN -	REVISED -
PLOT SCALE = 20.0000' / 1 IN.		CHECKED -	REVISED -
PLOT DATE = Wed Oct 06 07:52:29 2010		DATE -	REVISED -

STATE OF ILLINOIS
DEPARTMENT OF TRANSPORTATION

TYPICAL SECTIONS

SCALE: SHEET NO. OF SHEETS STA. TO STA.

F.A.U. RTE. 5857	SECTION IR-T	COUNTY ROCK ISLAND	TOTAL SHEETS 25	SHEET NO. 6
				CONTRACT NO. 64E31
ILLINOIS FED. AID PROJECT				