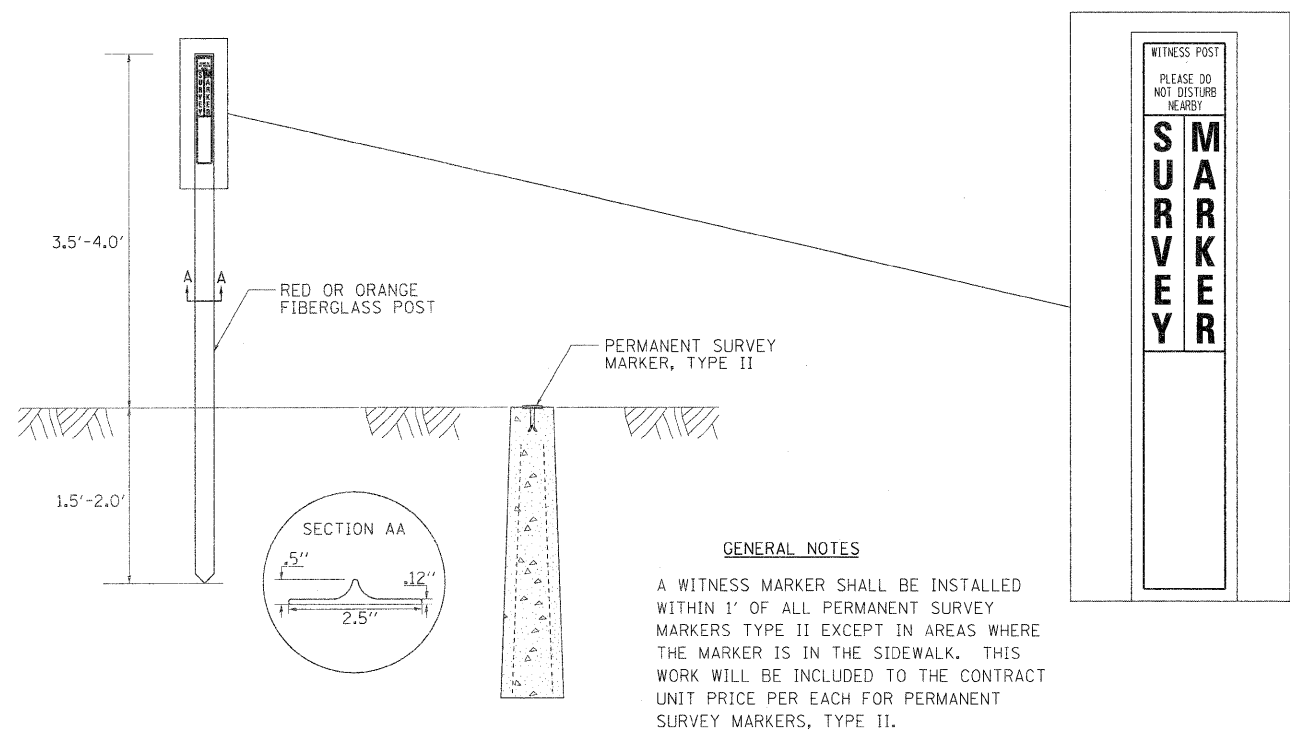
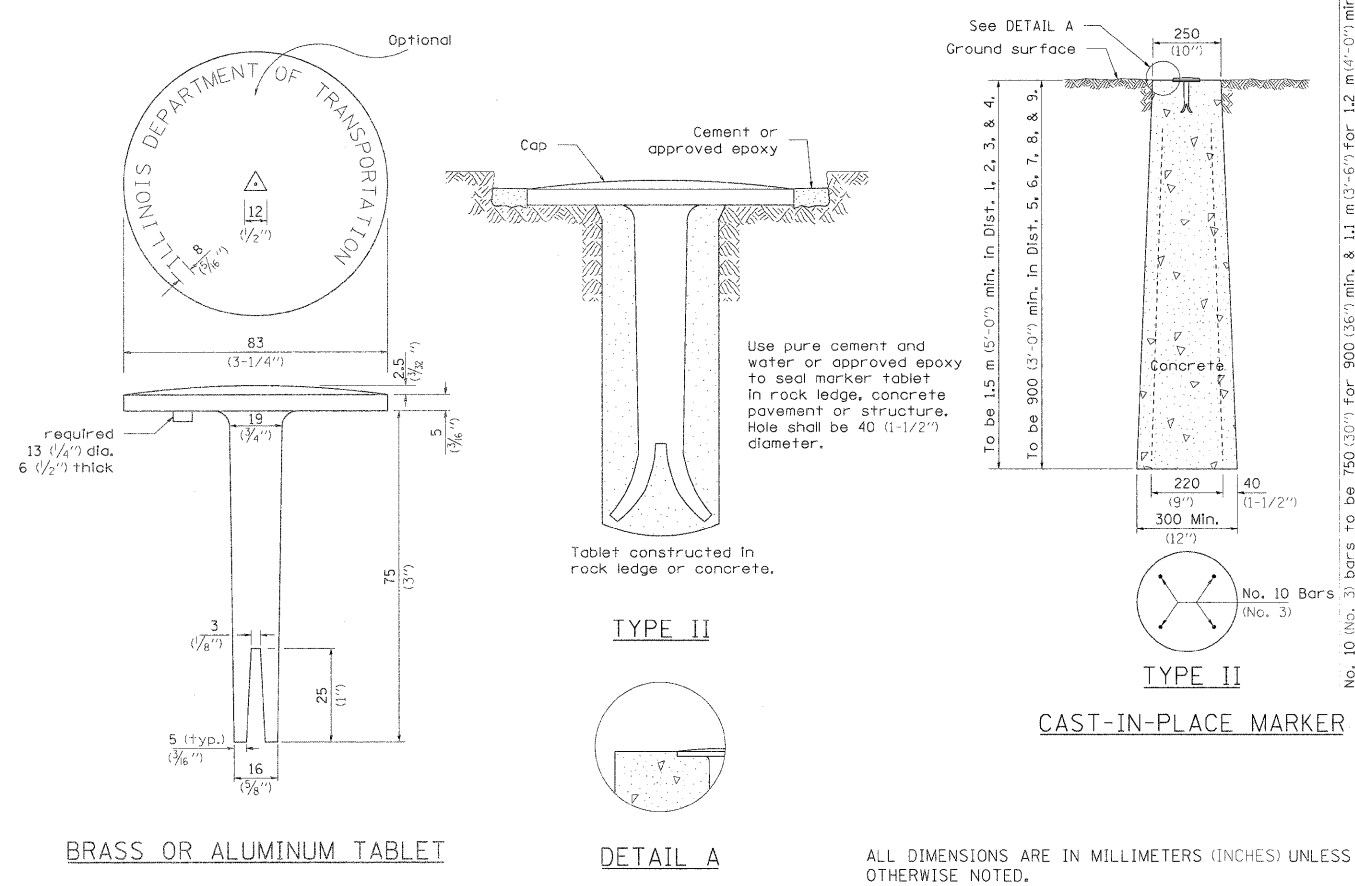


WITNESS MARKER FOR PERMANENT SURVEY MARKERS, TYPE II



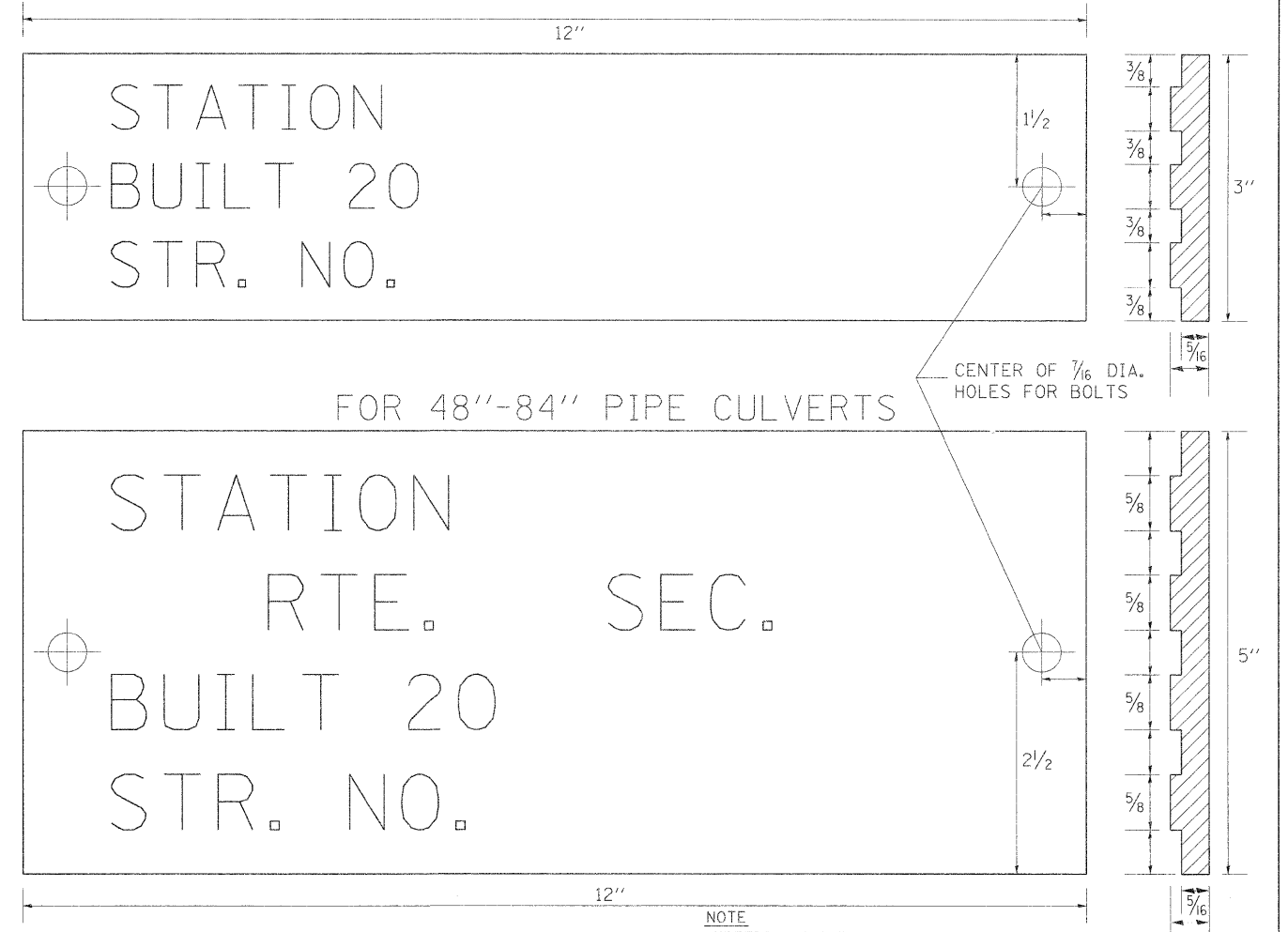
PERMANENT SURVEY MARKERS, TYPE II



REVISD - 10-21-08

NAME PLATE FOR CULVERTS

FOR 24"-42" PIPE CULVERTS



DESIGNERS NOTE

NAME PLATES SHALL BE FURNISHED & INSTALLED ACCORDING TO SECTION 515 OF THE STANDARD SPECIFICATIONS, EXCEPT 2 BOLTS SHALL BE USE TO FASTEN THE PLATE TO THE END SECTION.

USE STANDARD 515001 FOR BRIDGES AND MULTI-CELL CULVERTS WITH SPANS OF 20' OR MORE MEASURED ALONG THE CENTERLINE AT THE HIGHWAY.

USE THIS DETAIL FOR ALL OTHER PIPE CULVERTS & BOX CULVERTS WITH STRUCTURE NUMBERS. INCLUDE THE INFORMATION TO FILL OUT THE NAME PLATE FOR EACH CULVERT.

IN BOTH CASES INCLUDE A PAY ITEM FOR NAME PLATES.

STATION	STRUCTURE NO.
69+00	SN 081-1129

REVISD - 5-27-09	REGION 2 / DISTRICT 2 STANDARD	F.A.U. RTE.	SECTION	COUNTY	TOTAL SHEETS	SHEET NO.
REVISD -		5787	1R-T	ROCK ISLAND	25	20
REVISD -		CONTRACT NO. 64E31				
REVISD -		SCALE: 58.0000 1" = 10'	SHEET NO.	OF	SHEETS	STA.