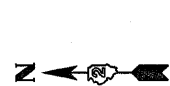


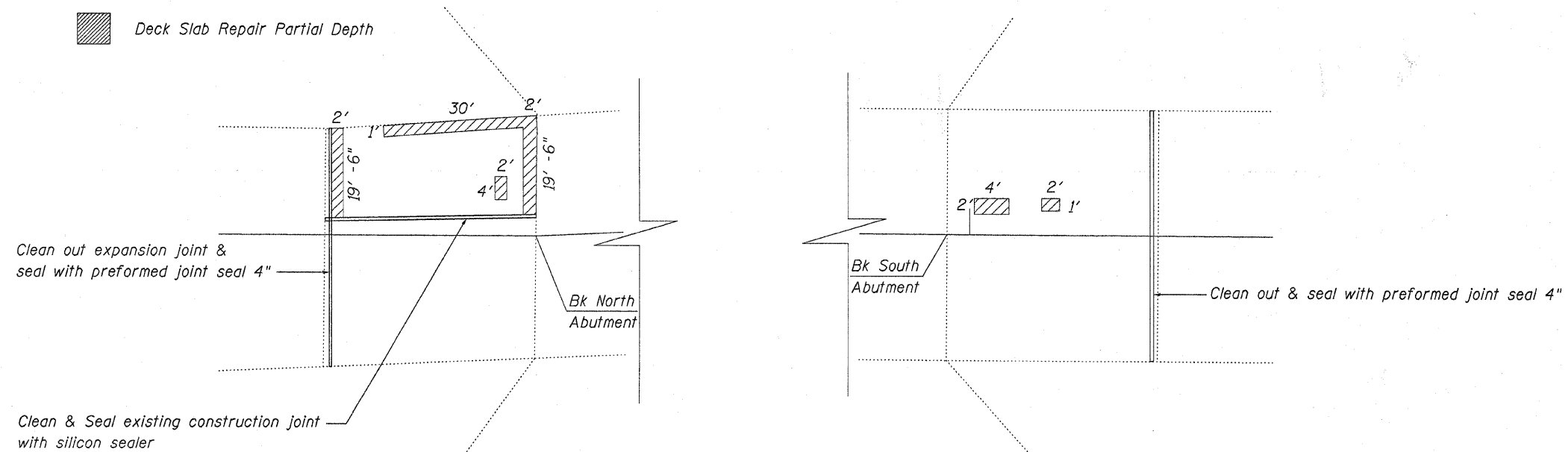
# Bridge Approach Details



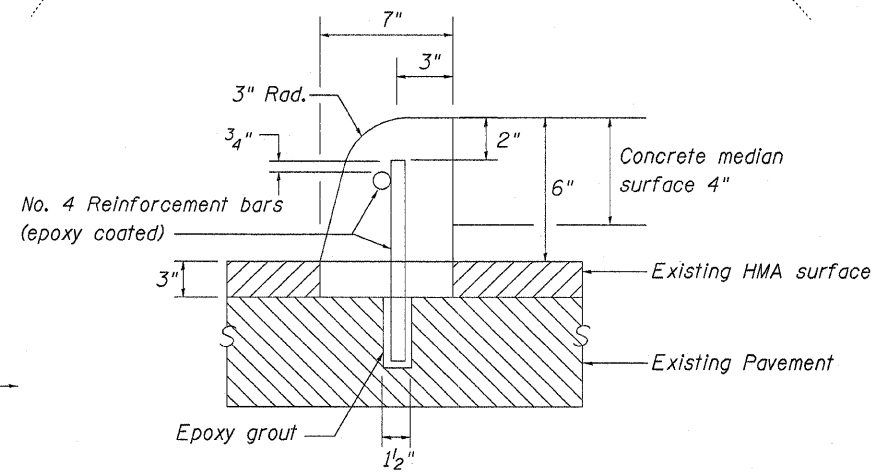
Legend



Deck Slab Repair Partial Depth



Clean & Seal existing construction joint with silicon sealer



Concrete Curb Detail

Holes 1 1/2" Dia shall be drilled 5" into the existing pavement at 5' - 0" cts. spaced to miss existing anchors. No. 4 bars 12" long shall be epoxy grouted into the holes, and a no.4 bar shall be installed horizontally in the curb, except at contraction joints.

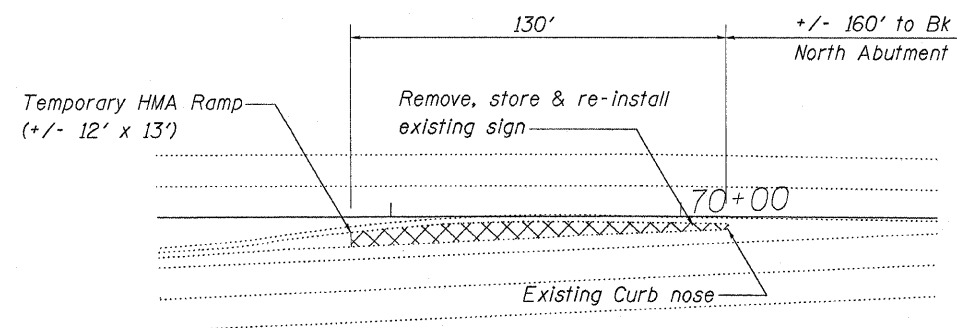
Existing No. 4 bar anchors to be cut flush with pavement surface.

Joints of a type similar to that in the underlying pavement (expansion or contraction) shall be installed in the concrete curb in alignment with the joints in the pavement.

The cost of all materials and labor required to install the joints and reinforcement bars in the curb shall be included in the contract unit price per lineal foot for "Concrete Curb".

Bill of Material

Item	Unit	Quantity
Deck Slab Repair Partial Depth	Sq Yd	14
Curb Removal	Foot	260
Concrete Median Surface Removal	Sq Ft	1170
Preformed Joint Seal 4"	Foot	96
Concrete Median Surface, 4"	Sq Ft	1170
Concrete Curb	Foot	260



Remove concrete curb and median to provide driving surface for cross-over stage traffic. Upon completion of bridge repairs replace concrete curb and median surface.

**Median Removal and Replacement**

FILE NAME =	USER NAME = linkdj	DESIGNED - ---	REVISED - ---	<b>STATE OF ILLINOIS DEPARTMENT OF TRANSPORTATION</b>	<b>BRIDGE APPROACH REPAIRS</b>	F.A.U. RTE.	SECTION	COUNTY	TOTAL SHEETS	SHEET NO.
D:\BR\CADD plans\Rock Island County\0810247\2010\0810247.dgn	DRAWN - ---	REVISED - ---	5834			(115BRM)	Rock Island	22	4	
PLOT SCALE = 50.0000 ' / IN.	CHECKED - ---	REVISED - ---	CONTRACT NO. 64G70							
PLOT DATE = Fri Dec 10 10:31:18 2010	DATE - ---	REVISED - ---	ILLINOIS FED. AID PROJECT							