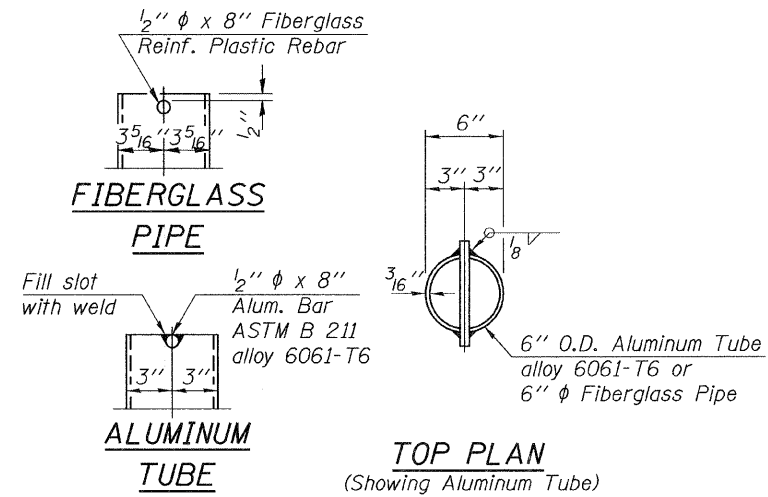
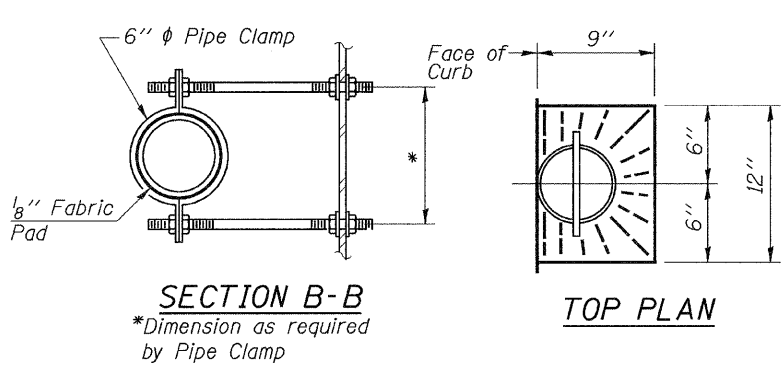


SECTION THRU PARAPET



BILL OF MATERIAL

Item	Unit	Quantity
Floor Drains	Each	64

DESIGNED - G.G.E.	EXAMINED - <i>James F. [Signature]</i>	DATE - January 11, 2011	STATE OF ILLINOIS DEPARTMENT OF TRANSPORTATION	FLOOR DRAIN DETAILS STRUCTURE NO. 081-0047	F.A.U. RTE. 5834	SECTION (115BRIM)	COUNTY Rock Island	TOTAL SHEETS 22	SHEET NO. 18
CHECKED - I.J.L.	PASSED - <i>[Signature]</i>				ILLINOIS FED. AID PROJECT				
DRAWN - Drew Christopher					CONTRACT NO. 64G70				
CHECKED - G.G.E. I.J.L.					SHEET NO. 7 OF 11 SHEETS				