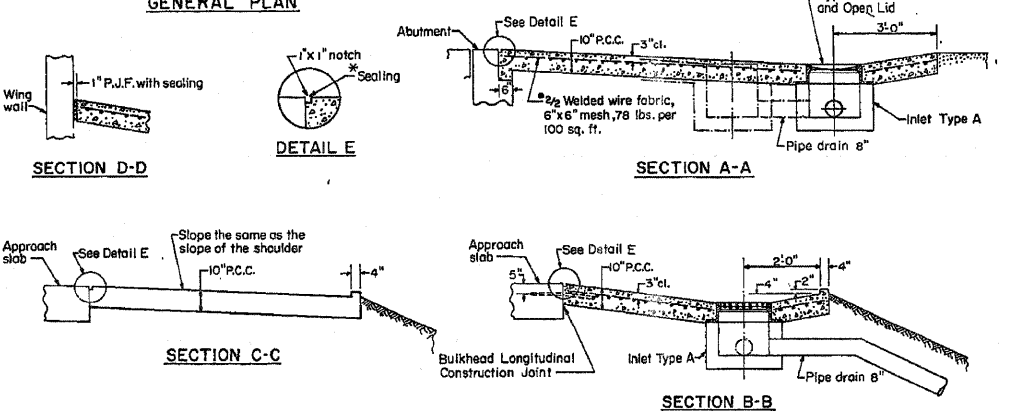
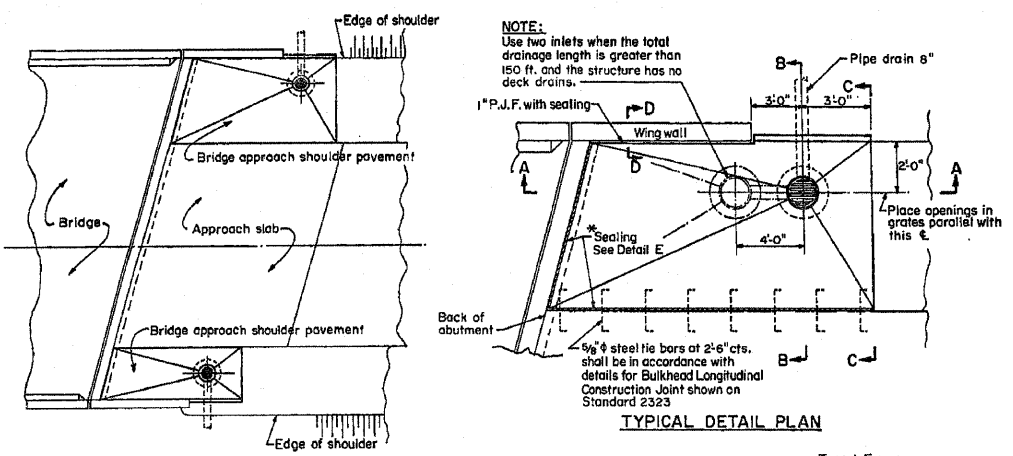


H-1.25 b

**STANDARD DESIGN
BRIDGE APPROACH SHOULDER PAVEMENT**



The material for Pipe Drains 8" shall be either corrugated steel or aluminum alloy pipe.
Inlets and pipe drains will be paid for in accordance with the Standard Specifications.
Bridge approach shoulder pavement will be measured in square yards and paid for as P.C. CONCRETE BRIDGE APPROACH SHOULDER PAVEMENT which shall include the cost of tie bars, reinforcement, joint fillers, and sealing.

GENERAL NOTES
* Where indicated, joints shall be sealed with two component, non-staining, gray, sealing compound with polysulfide liquid polymers, gun grade with primers.
See bridge approach slab plans for location of bridge approach shoulder pavement.
For placement of drainage elements on existing construction with existing rigid approach pavement, substitute expansion anchor bolts for tie bars. For non-rigid approaches, shoulder pavement will be as shown except omit tie bars and inside edge sealing.
For bridges with end posts partially or completely on superstructure, locate the center line of 8" drain pipe a minimum of 6 ft. behind the back of abutment measured as an extension of the outside superstructure edge. If end posts are completely on superstructure, use the outer 2' x 4" lip for full length of shoulder pavement.

STATE OF ILLINOIS		ISSUED 12-1-69	
DEPARTMENT OF TRANSPORTATION		REVISIONS	
PASSED	Aug. 1 1972	W.F.	12-1-69
APPROVED	Aug. 1 1972	W.F.	3-18-70
		W.F.	8-1-72

STANDARD 2324-2
(Half size)

FOR INFORMATION ONLY

FILE NAME =	USER NAME = lmkdj	DESIGNED -	REVISD -
D:\BRV\CADD\plans\Stephenson County\289205\PLANeng.dgn		DRAWN -	REVISD -
	PLOT SCALE = 50.0000' / IN.	CHECKED -	REVISD -
	PLOT DATE = Wed Dec 08 08:59:41 2010	DATE -	REVISD -

STATE OF ILLINOIS
DEPARTMENT OF TRANSPORTATION

Bridge Approach Shoulder Pavement Standard

SCALE: _____ SHEET NO. ____ OF ____ SHEETS STA. _____ TO STA. _____

F.A.P. RTE.	SECTION	COUNTY	TOTAL SHEETS	SHEET NO.
301	(18BR-1M)	Stephenson	13	13
CONTRACT NO. 64G83				
[ILLINOIS] FED. AID PROJECT				