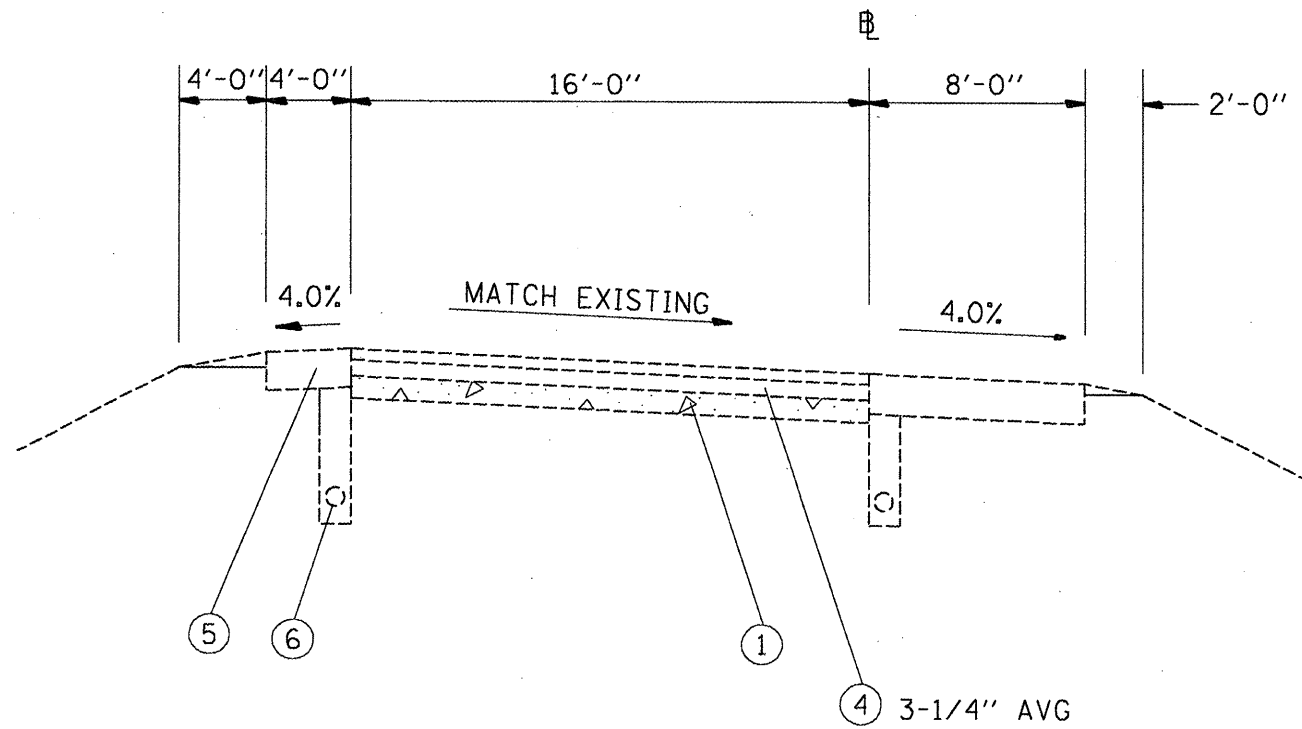
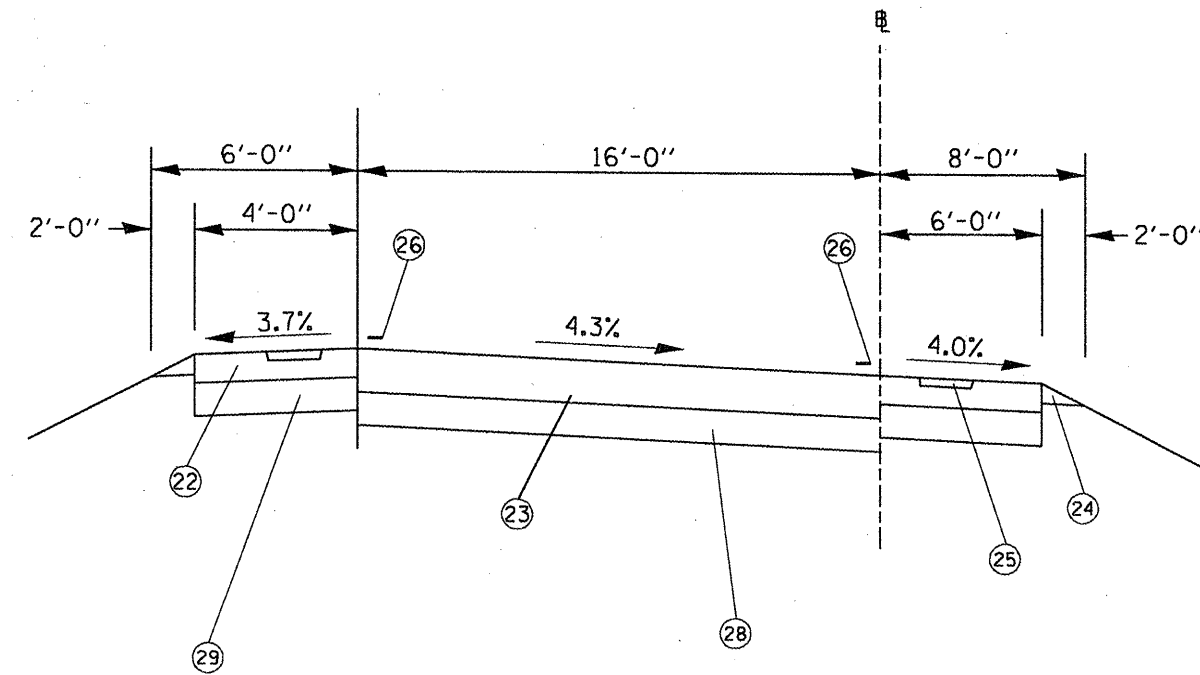


**••NOTE**

FOR MILLING PURPOSES THE TOP 1-1/2" OF SURFACE MUST BE REMOVED.  
PAVEMENT CORES WERE TAKEN, AND THE TOP SURFACE HAS FAILED.



EXISTING RAMP H STA. 10+37.43 TO STA. 21+84.77



PROPOSED RAMP H STA. 10+37.43 TO STA. 21+84.77

**EXISTING ITEMS**

1. JOINTED P.C.C. PAVEMENT, 10"
2. CONTINUOUS REINFORCED CONCRETE PAVEMENT, 7"
3. STABILIZED SHOULDER
4. BITUMINOUS OVERLAY
5. BITUMINOUS SHOULDERS
6. PIPE UNDERDRAIN 4"

**PROPOSED ITEMS**

15. HMA SURFACE REMOVAL, 1-1/2"••
16. POLY. HMA BINDER CSE, IL-12.5, N90, 2-1/4"
17. POLY. LEVEL. BINDER (MACHINE METHOD), IL-4.75, N50 (3/4" OR 1")
18. POLY. HMA SURFACE CSE, MIX "D" N90, (1-1/2")
19. POLY. HMA SURFACE CSE, MIX "D" N50, (1-1/2")
20. HMA SURF. CSE, MIX "C", N50 (3")
21. PIPE UNDERDRAINS, 4"

22. HMA SHOULDERS 8"
23. HMA PAVEMENT (FULL DEPTH) 13-1/4"
24. AGGREGATE SHOULDER, TYPE B
25. SHOULDER RUMBLE STRIP
26. GROOVED IN PAVEMENT MARKING
27. PREFORMED PAVEMENT MARKING

28. SUB-BASE GRANULAR MATERIAL, TYPE A, 12"
29. SUB-BASE GRANULAR MATERIAL, TYPE C
30. HMA SURFACE REMOVAL, 3"
31. POLY. LEVEL. BINDER (MACHINE METHOD), IL-4.75, N50, 1"
32. PAVED SHOULDER REMOVAL
33. TEMPORARY SHOULDERS
34. PCC BASE COURSE, 12"

FILE NAME = D:\68506\ah\typical.dgn	USER NAME = bergsjakere	DESIGNED -	REVISED -	<b>STATE OF ILLINOIS DEPARTMENT OF TRANSPORTATION</b>	<b>EXISTING / PROPOSED TYPICAL SECTIONS</b>	F.A.I. RTE.	SECTION	COUNTY	TOTAL SHEETS	SHEET NO.	
		DRAWN -	REVISED -			74	(48-27)R, RS-4	KNOX	103	78	
		CHECKED -	REVISED -			<b>CONTRACT NO. 68506</b>					
		DATE -	REVISED -			ILLINOIS FED. AID PROJECT					
				SCALE:	SHEET NO. OF SHEETS	STA.	TO STA.				