

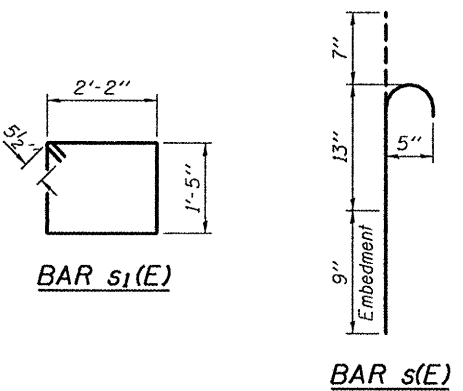
* Epoxy grout bars in 9" min. holes according to Article 584 of the Standard Specifications.

ELEVATION
Reinforcement details typical at all Crashwall Extension locations.

SECTION A-A



EXPIRES 11-30-2012



NOTES

The cost of epoxy grouting threaded rods shall be included with Reinforcement Bars (Epoxy Coated).
 Plan dimensions and details relative to existing plans are subject to nominal construction variations. The Contractor shall field verify existing dimensions and details affecting new construction and make necessary approved adjustments prior to construction or ordering of materials. Such variations shall not be cause for additional compensation for a change in scope of the work, however, the Contractor will be paid for the quantity actually furnished at the unit price bid for the work.
 Reinforcement bars shall conform to the requirements of ASTM A 706 Gr 60. See Special Provisions.
 Reinforcement bars designated (E) shall be epoxy coated.

BILL OF MATERIAL
E.B. PIER 4

Bar	No.	Size	Length	Shape	
h ₁ (E)	24	#5	2'-9"	—	
h ₂ (E)	21	#5	8'-6"	—	
s(E)	36	#5	2'-5"	⊔	
s ₁ (E)	27	#5	8'-1"	□	
Concrete Structures				Cu. Yd.	4.3
Reinforcement Bars, Epoxy Coated				Pound	570

DESIGNED	Victor H. Lopez	EXAMINED	Jan 5, 2011	DATE	JANUARY 20, 2011
CHECKED	Victor H. Lopez	PASSED	David Carl Puze		
DRAWN	balva				
CHECKED	VHV				

STATE OF ILLINOIS
DEPARTMENT OF TRANSPORTATION

CRASHWALL EXTENSION DETAILS
SN 048-0045

F.A.I. RTE.	SECTION	COUNTY	TOTAL SHEETS	SHEET NO.
74	(48-27)R,RS-4	KNOX	103	50
CONTRACT NO. 68506			ILLINOIS FED. AID PROJECT	