

DESIGNER NOTES: 1. Use with District CADD Standards: Slope Drains, Buried Pipe and/or Slope Drains - Exposed Pipe

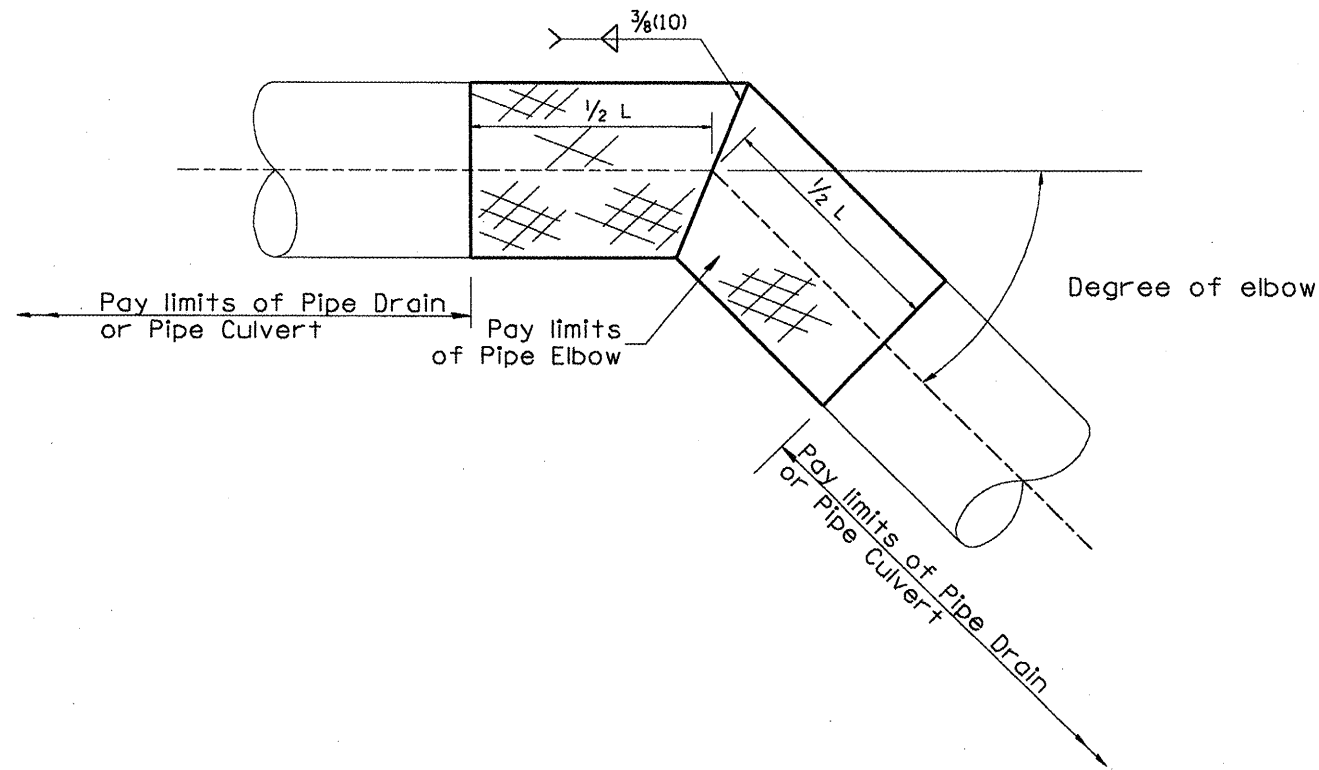
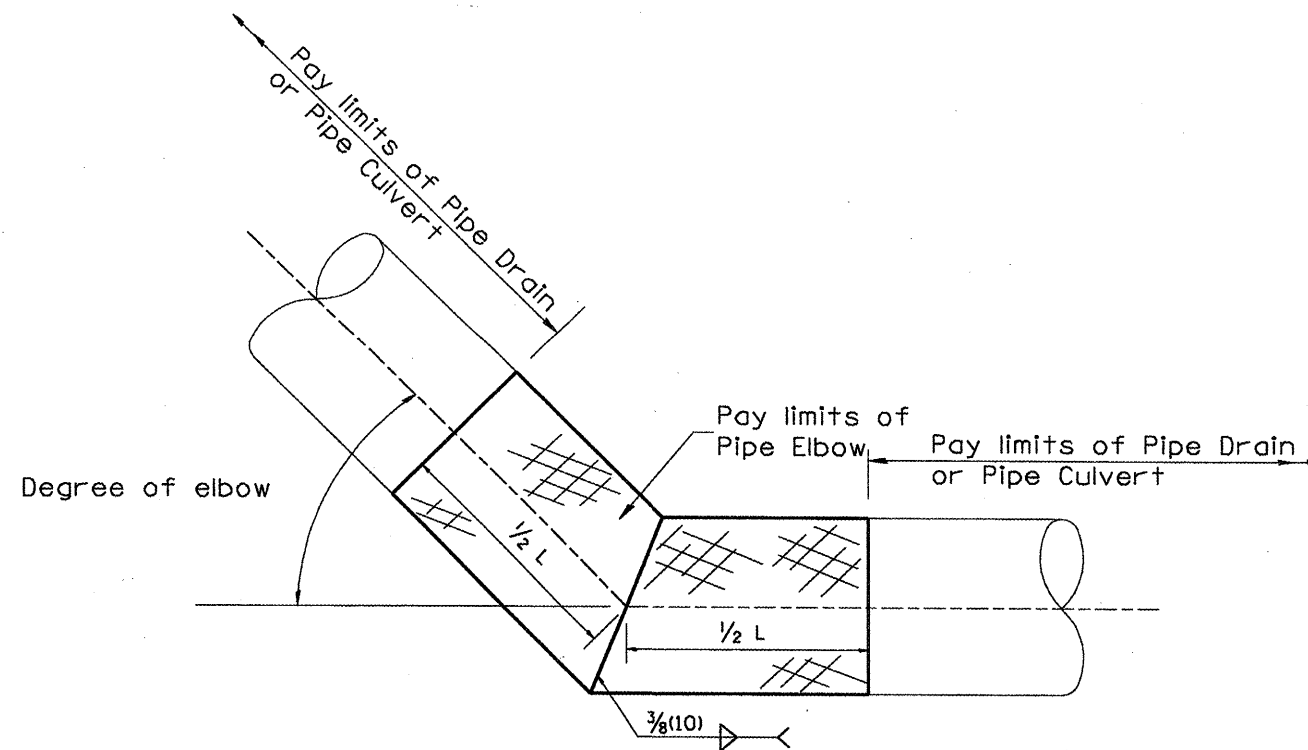


TABLE A		
ELBOW DESIGN CONTROLS		
PIPE DIAMETER	L = Pay limits of Pipe Elbow and minimum length of pipe required for fabrication	
	DEGREE OF ELBOW ≤ 45°	DEGREE OF ELBOW ≥ 46°
12(300)	24(600)	4'(1.22M)
15(375)	24(600)	4'(1.22M)
18(450)	24(600)	4'(1.22M)
21(525)	24(600)	4'(1.22M)
24(600)	4'(1.22M)	4'(1.22M)
30(750)	4'(1.22M)	6'(1.83M)
36(900)	4'(1.22M)	6'(1.83M)

TABLE B	
ELBOW DESIGN CONTROLS	
EARTH SLOPE (V:H)	DEGREE OF ELBOW •
1:6	9°
1:4	14°
1:3	18°
1:2	26°
1:1½	33°

• Approximate - based upon 0.5% inlet and outlet flowlines.



All dimensions are in inches (millimeters) unless otherwise noted.

01-01-97	RENUM. J-11.05, NEW REVISION BOX.	T.P.
	REVISED TITLE BOX	
10-16-06	REVISED TO 2007 SPEC.	M.A.

STATE OF ILLINOIS
DEPARTMENT OF TRANSPORTATION

NOT TO SCALE

PIPE ELBOW

CADD STD. 601301-D4

F.A. RTE.	SECTION	COUNTY	TOTAL SHEETS	SHEET NO.
			103	63
CONTRACT NO.				
FED. ROAD DIST. NO. ILLINOIS FED. AID PROJECT				