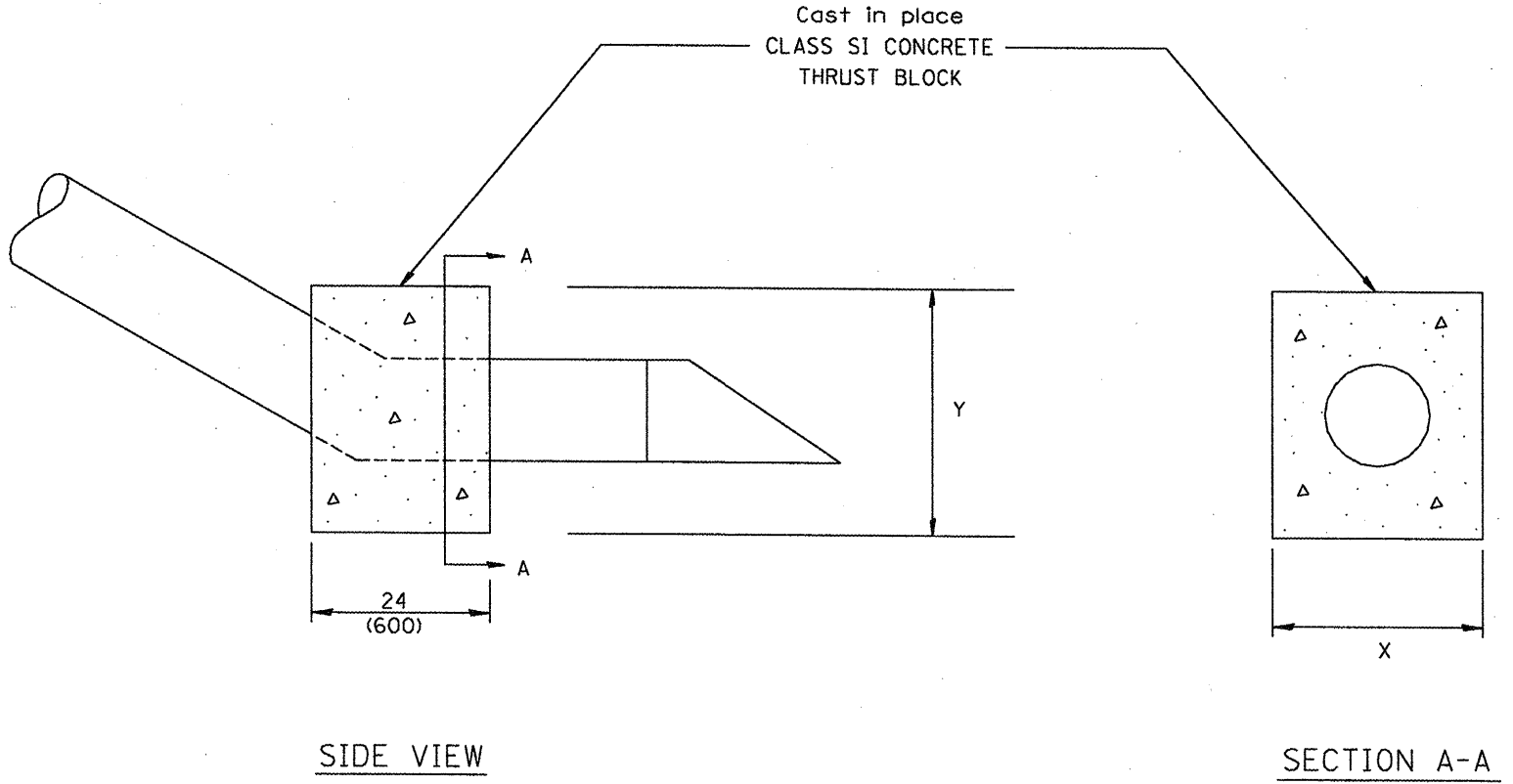


DESIGNER NOTES:
 1. A THRUST BLOCK SHALL BE INSTALLED WHEN THE DIFFERENCE BETWEEN THE UPSTREAM AND DOWNSTREAM INVERT ELEVATIONS EXCEEDS 36(900) AND GRADE EXCEEDS 10%.
 2. USE WITH DISTRICT CADD STANDARDS: "DITCH CHECK, IF NEEDED, DO NOT USE WITH DISTRICT CADD STANDARDS: "SLOPE DRAIN DETAILS FOR EXPOSED PIPE".

CONCRETE THRUST BLOCK BILL OF MATERIALS

PIPE SIZE	X	Y	CLASS SI CONCRETE cu. yd. (m ³)
12(300)	24(600)	24(600)	0.2(0.2)
15(375)	27(675)	27(675)	0.3(0.2)
18(450)	30(750)	30(750)	0.3(0.2)
24(600)	36(900)	36(900)	0.4(0.3)
30(750)	3'-6" (1.07m)	3'-6" (1.07m)	0.8(0.6)



The contract unit price each for CONCRETE THRUST BLOCK shall include the cost of excavation, CLASS SI CONCRETE and compacted backfill.

QUANTITIES	
CALC. BY: _____	DATE: _____
CHECKED BY: _____	DATE: _____
QUANTITY CALCULATIONS ARE ON FILE AT THE DISTRICT 4 OFFICE; BUREAU OF PROJECT IMPLEMENTATION; DOCUMENTATION SECTION	

01-01-97	RENUM. J-10.04, NEW REVISION BOX, ADDED QUANTITY	T.P.	
	CALCULATION BOX		
10-16-06	REVISED TO 2007 SPEC.	M.A.	

**STATE OF ILLINOIS
DEPARTMENT OF TRANSPORTATION**

CONCRETE THRUST BLOCKS
NOT TO SCALE

All dimensions are in inches (millimeters) unless otherwise noted.

F.A. RTE.	SECTION	COUNTY	TOTAL SHEETS	SHEET NO.
			103	04
CONTRACT NO.				
FED. ROAD DIST. NO. ILLINOIS FED. AID PROJECT				

CADD STD. 609001-D4