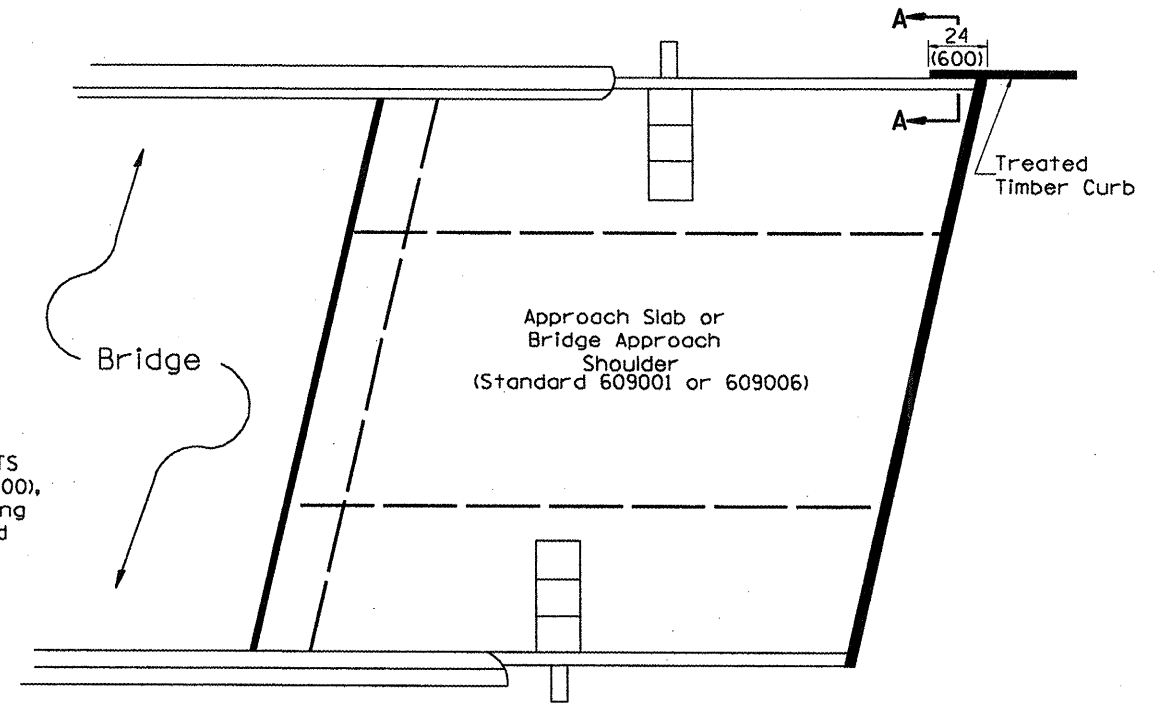


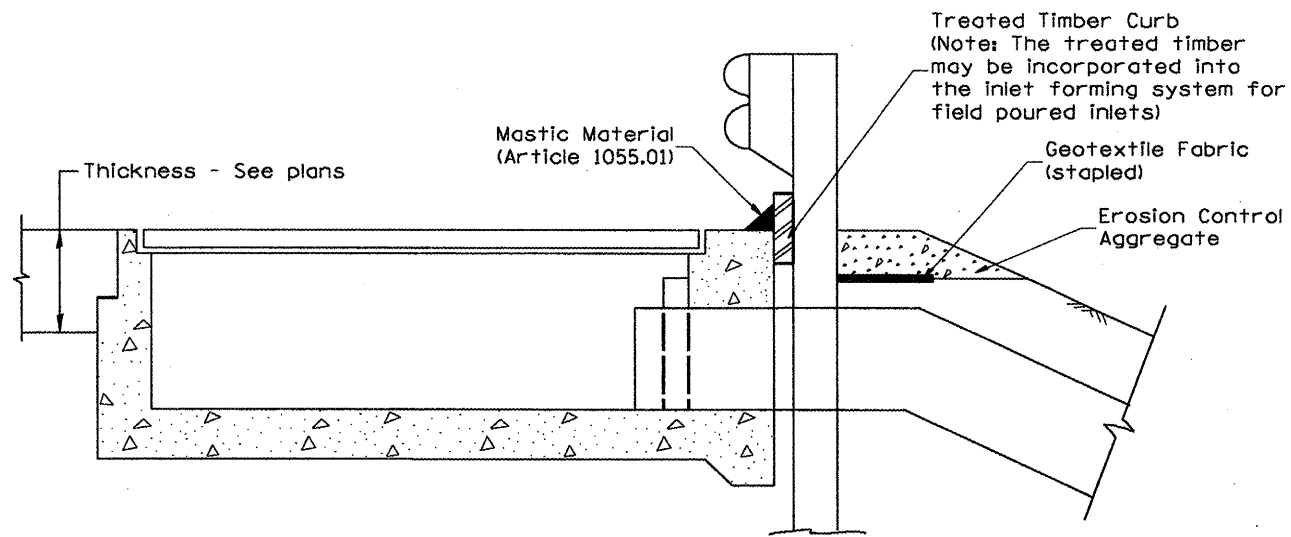
SPLICE LOCATED AT GUARDRAIL POST
 1/2(M12) galvanized U-bolt with
 nut & washer

DETAIL A
 (Typical Treated Timber Splices)

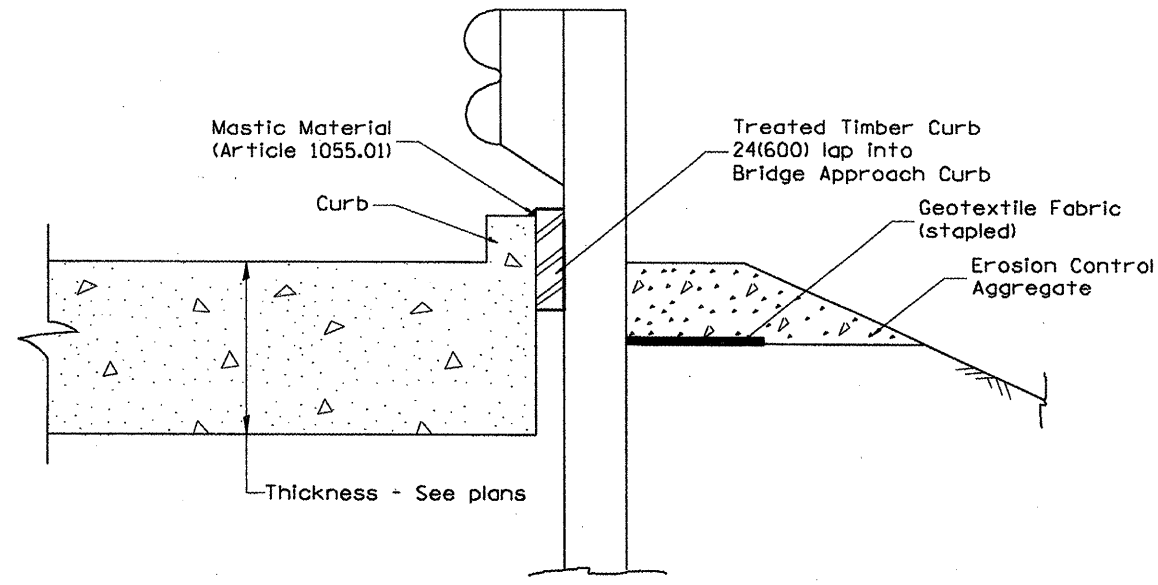
SPLICE LOCATED BETWEEN GUARDRAIL POSTS
 treated timber splice plate 2x12 (50x300),
 actual size 1 1/2x1 1/2 (40x290), 24(600) long
 with 8 evenly spaced 1/2(M12) galvanized
 bolts with nuts & washers.



PLAN VIEW
APPROACH SLAB OR BRIDGE APPROACH SHOULDER
 (STANDARD 609001 or 609006)



TYPICAL SECTION WITH EROSION CONTROL CURB
AT INLETS TYPE E & F (STANDARD 610001)



SECTION A-A
TYPICAL SECTION WITH EROSION CONTROL CURB
AT BRIDGE APPROACH CURB
 (STANDARD 609001 OR 609006)

All dimensions are in inches (millimeters)
 unless otherwise noted.

STATE OF ILLINOIS DEPARTMENT OF TRANSPORTATION				GUARDRAIL EROSION CONTROL TREATMENTS				F.A. RTE.		SECTION		COUNTY		TOTAL SHEETS		SHEET NO.	
														103		66	
				NOT TO SCALE				SHT. 2 OF 2 CADD STD. 630101-D4		CONTRACT NO.							
								FED. ROAD DIST. NO.		ILLINOIS FED. AID PROJECT							