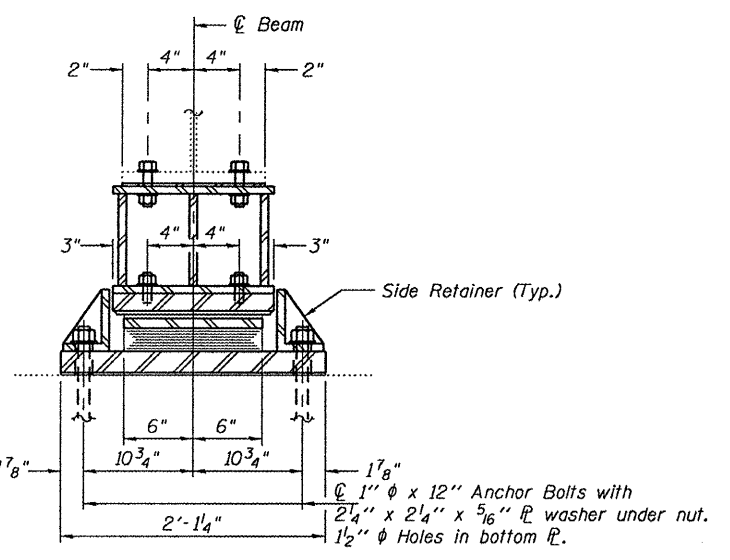


ELEVATION AT EAST ABUTMENT

TYPE II TFE ELASTOMERIC EXP. BRG.

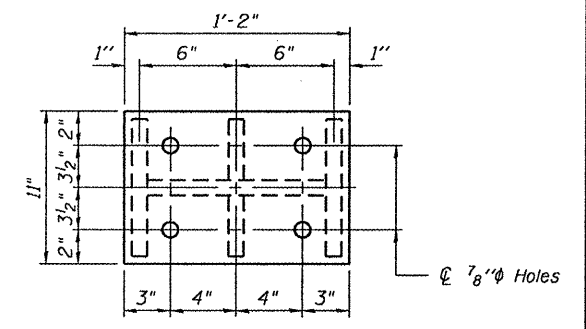


SECTION A-A

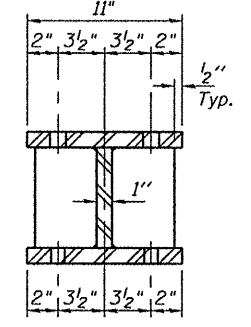
BEAM REACTIONS

R _D	(K)	36.6
R _L	(K)	41.3
Imp.	(K)	10.7
R (Total)	(K)	88.6

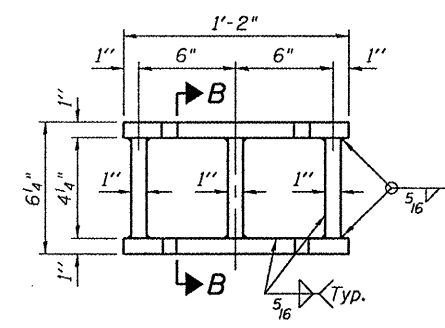
Notes:
 Diaphragm removal and installation may be required to facilitate drilling holes. Cost included with Furnishing and Erecting Structural Steel.
 New steel extensions, shim plates and connection bolts are included with Furnishing and Erecting Structural Steel.
 Prior to ordering any material, the Contractor shall verify in the field all bearing height and shim thickness dimensions. Min. jack capacity = 50 Tons.
 Anchor bolts shall be ASTM F1554 all-thread (or an Engineer-approved alternate material) of the grade(s) and diameter(s) specified. ASTM A307 Grade C anchor bolts may be used in lieu of ASTM F1554 Grade 36 (Fy=36ksi). The corresponding specified grade of AASHTO M314 anchor bolts may be used in lieu of ASTM F1554.
 Anchor bolts at fixed bearings may be either cast in place or installed in holes drilled after the supported member is in place.
 Anchor bolts for Type II bearings shall be placed in holes drilled through the bottom bearing plate after members are in place. Side retainers shall be placed after bolts are installed.
 Drilled and set anchor bolts shall be installed according to Article 521.06 of the Standard Specifications.
 Side retainers shall be included in the cost of Elastomeric Bearing Assembly, Type II.
 The 1/8" PTFE sheet shall be bonded directly to the top steel plate with a two-component, medium viscosity epoxy resin, conforming to the requirements of the Federal Specification MMM-A-134, Type I. The bond agent shall be applied on the full area of the contact surfaces.
 Bonding of 1/8" PTFE sheet during vulcanizing process will be permitted provided the process and method of adjusting assembly height is approved by the Engineer.



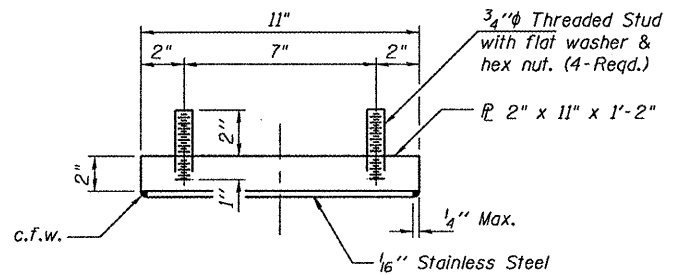
PLAN TOP AND BOTTOM PLATE



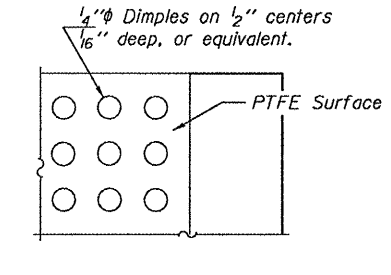
SECTION B-B



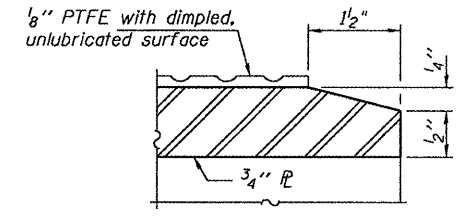
STEEL EXTENSION DETAIL



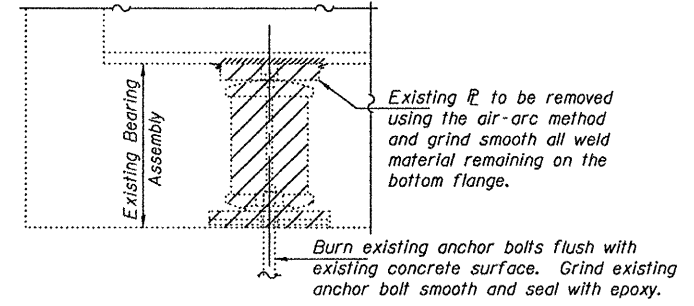
TOP BEARING ASSEMBLY



PLAN-PTFE SURFACE

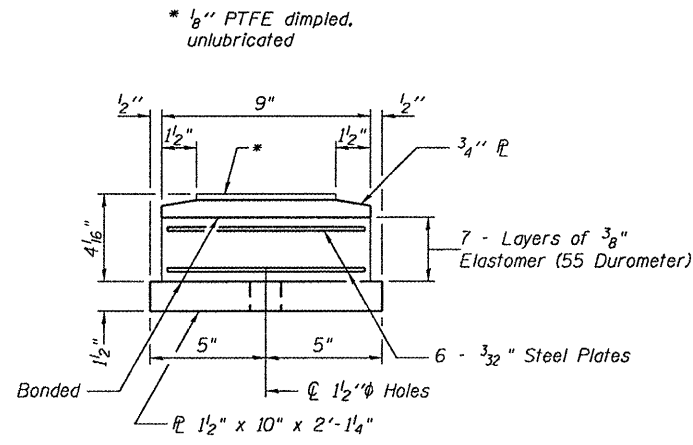


SECTION THRU PTFE

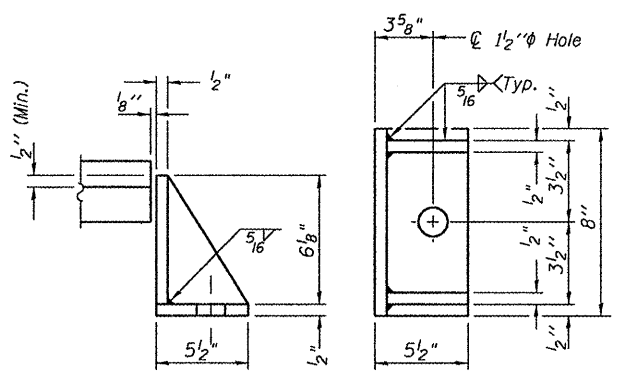


EXISTING BEARING REMOVAL DETAIL

Cost included with Jack and Remove Existing Bearings.

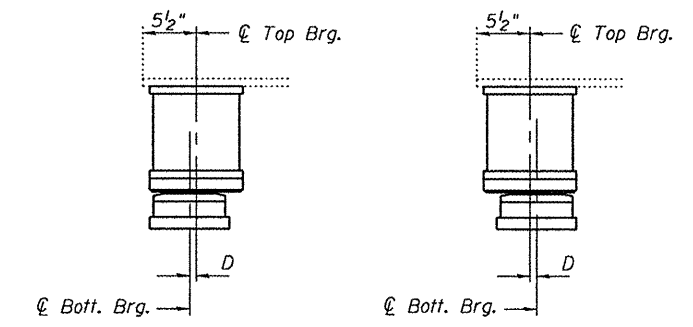


BOTTOM BEARING ASSEMBLY



SIDE RETAINER

Equivalent rolled angle with stiffeners will be allowed in lieu of welded plates.



SETTING ANCHOR BOLTS AT EXP. BRG.

BELOW 50° F. ABOVE 50° F. (Move bott. brg. away from fixed brg.) (Move bott. brg. toward fixed brg.)

D = 1/8" per each 100' of expansion for every 15° temp. change from the normal temp. of 50°F.

BILL OF MATERIAL

Item	Unit	Total
Elastomeric Bearing Assembly, Type II	Each	19
Jack and Remove Existing Bearings	Each	19
Furnishing and Erecting Structural Steel	Pound	2,710
Anchor Bolts 1" phi	Each	38

TYII/REPS 12-03-2008

DESIGNED - I.J.L.	EXAMINED - <i>Joan F. J...</i>
CHECKED - A.T.H.	PASSED - <i>Carl...</i>
DRAWN - Drew Christopher	
CHECKED - I.J.L. A.T.H.	

DATE - February 3, 2011	STATE OF ILLINOIS DEPARTMENT OF TRANSPORTATION
ACTING ENGINEER OF STRUCTURAL SERVICES	ACTING ENGINEER OF BRIDGES AND STRUCTURES

SECTION	COUNTY	TOTAL SHEETS	SHEET NO.
317	(48B)I-1	26	25
CONTRACT NO. 68995		ILLINOIS FED. AID PROJECT	

EAST ABUTMENT BEARING DETAILS	
SN 072-0134	
SHEET NO. 5 OF 6 SHEETS	

F.A.P. RTE.	SECTION	COUNTY	TOTAL SHEETS	SHEET NO.
317	(48B)I-1	Peoria	26	25
CONTRACT NO. 68995		ILLINOIS FED. AID PROJECT		

SLT-94-001-10