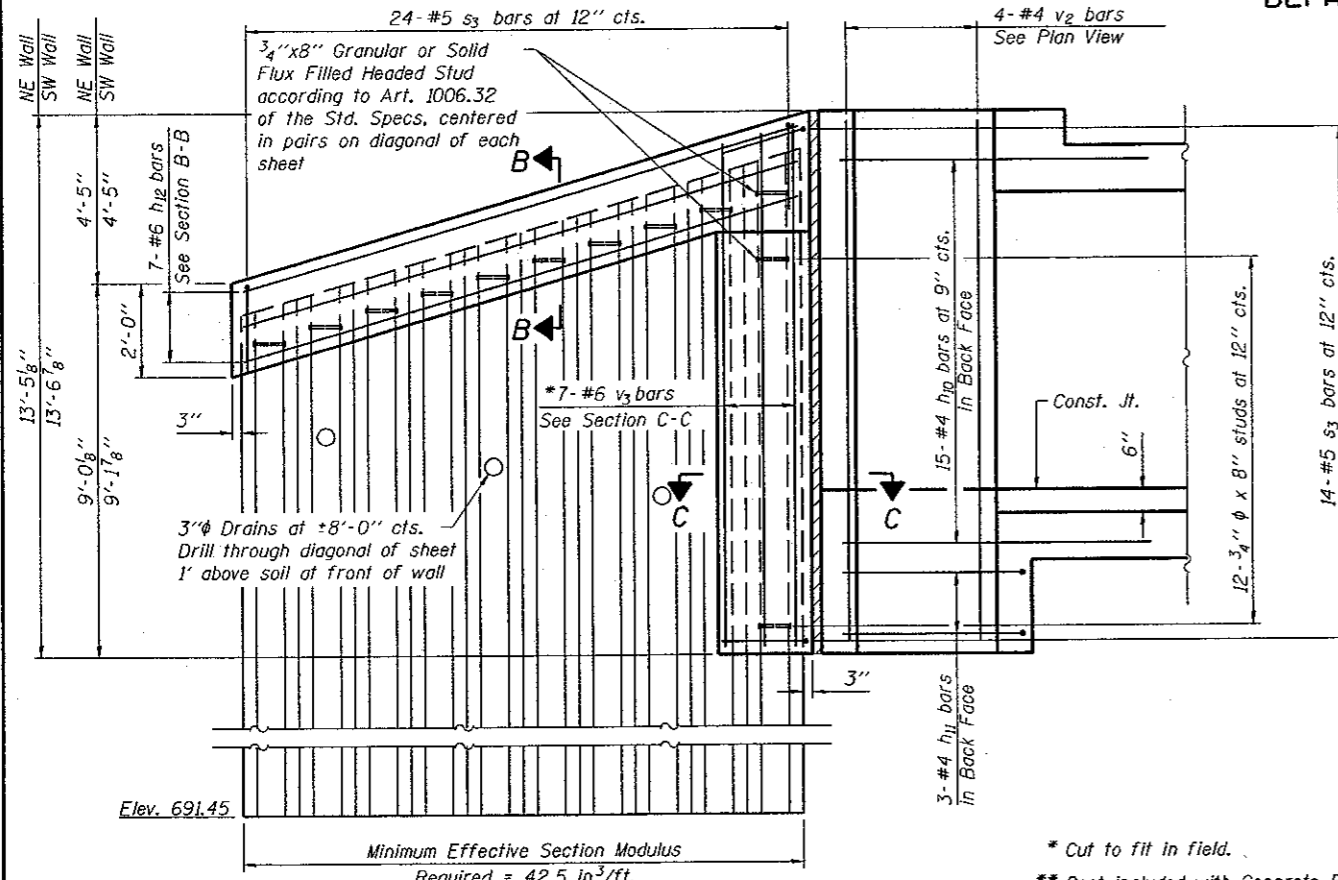
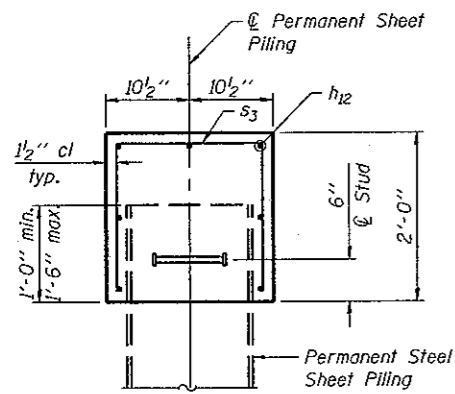


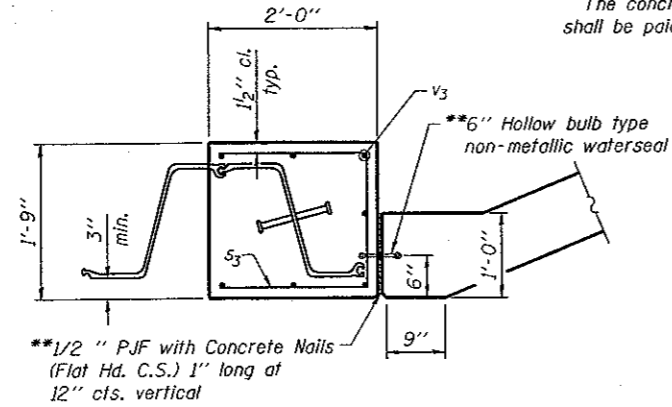
STATE OF ILLINOIS
DEPARTMENT OF TRANSPORTATION



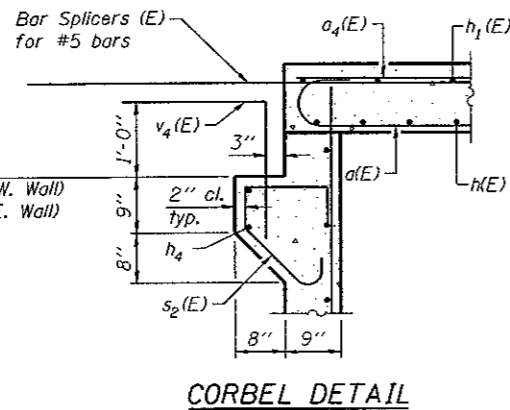
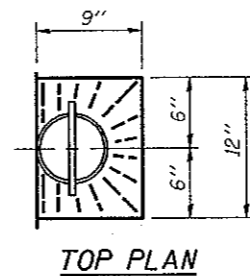
SHEET PILING WINGWALL DETAIL



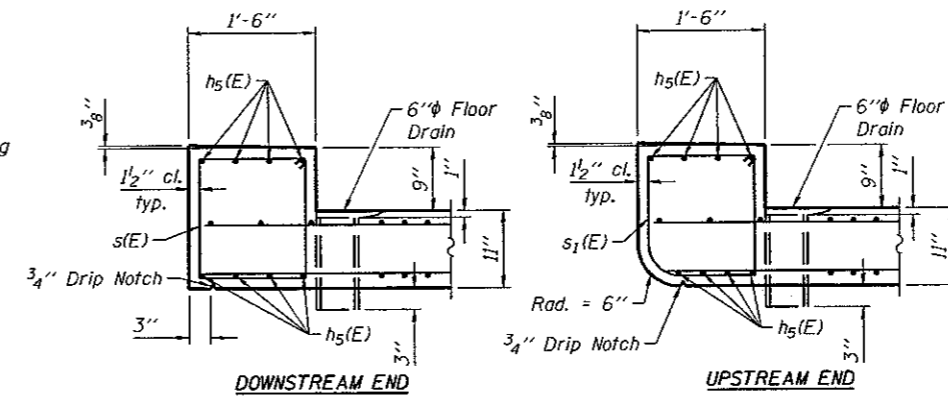
SECTION B-B



SECTION C-C

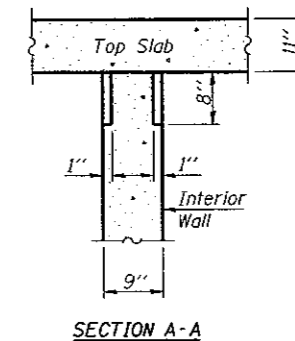


CORBEL DETAIL

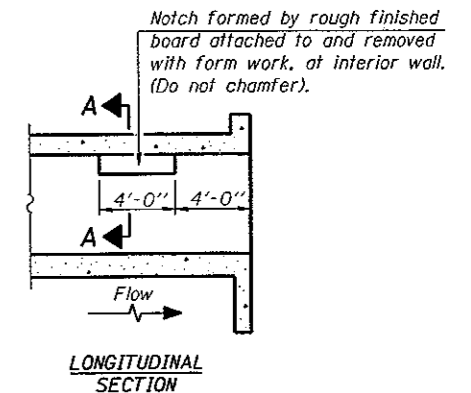


SECTION THRU HEADWALL

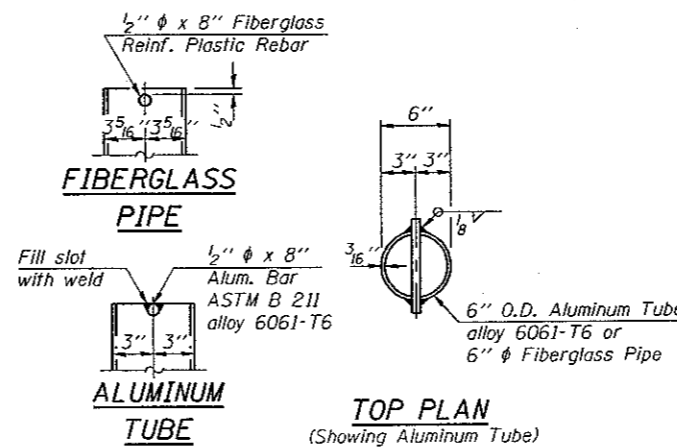
Note:
Space reinforcement in headwalls to miss anchor bolts for bridge rail.



PHOEBE NESTING SITE DETAILS (Downstream End Only)



CULVERT DETAILS STRUCTURE NO. 020-2014



DESIGNED - BAS
CHECKED - KEF
DRAWN - SGM
CHECKED - BAS

Level
Elev. 727.65 (W. Wall)
Elev. 727.71 (E. Wall)

SHEET NO. 4 9 SHEETS	F.A.P. RTE. 71	SECTION (15B-1)BR-1	COUNTY DEWITT	TOTAL SHEETS 76	SHEET NO. 30
	CONTRACT NO. 70271			FED. ROAD DIST. NO. ILLINOIS FED. AID PROJECT	