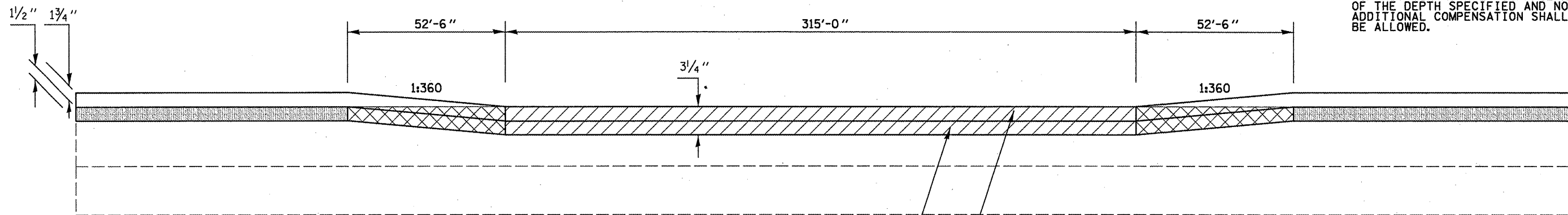


DETAIL FOR I-74 MILLING AND PAVING TRANSITIONS UNDER S.N. 057-0127

I-74 EBPL STATION TO STATION
 1088+37.50 1092+57.50 UNDER S.N. 057-0127

NOTE: AREA OF MILLING TRANSITION SHALL BE INCLUDED IN THE CONTRACT UNIT PRICE FOR THE VARIOUS PAY ITEMS FOR HOT-MIX ASPHALT SURFACE REMOVAL OF THE DEPTH SPECIFIED AND NO ADDITIONAL COMPENSATION SHALL BE ALLOWED.



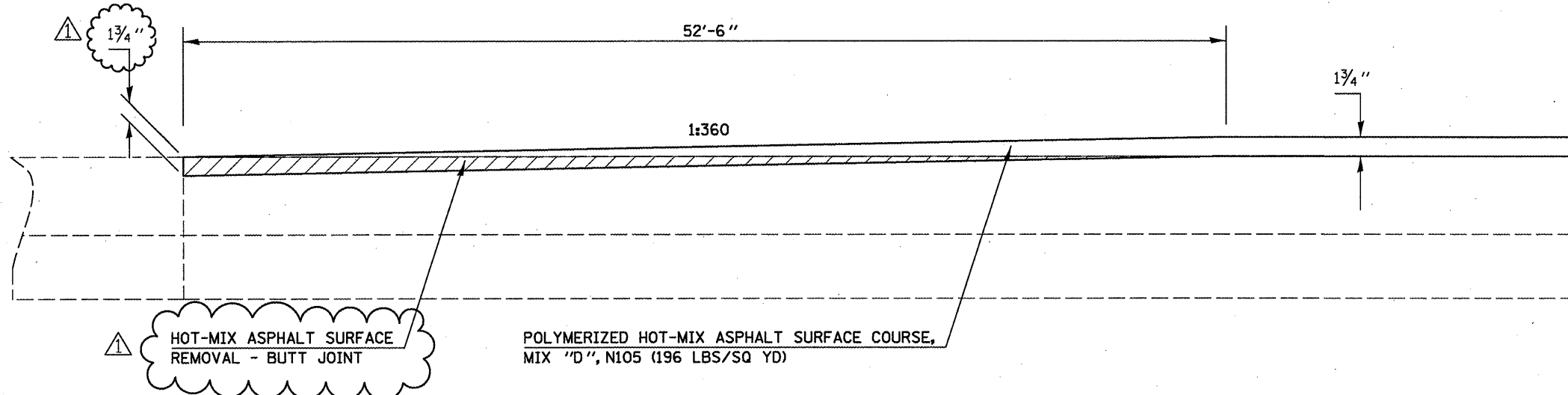
POLYMERIZED HOT-MIX ASPHALT SURFACE COURSE, MIX "C", N105 (168 LBS/SQ YD)

POLYMERIZED HOT-MIX ASPHALT SURFACE COURSE, MIX "D", N105, (196 LBS/SQ YD)

- HOT-MIX ASPHALT SURFACE REMOVAL, 1/2"
- AREA OF MILLING TRANSITION 1/2" - 3/4"
- HOT-MIX ASPHALT SURFACE REMOVAL, 3/4"

DETAIL FOR DOWNS INTERCHANGE RAMP'S MILLING AND PAVING TRANSITIONS AT C.H. 36

	<u>STATION</u>	<u>TO</u>	<u>STATION</u>	
RAMP CB (I-74 EB OFF RAMP)	28+11.48		28+63.98	END OF RAMP AT C.H. 36
RAMP DA (I-74 WB OFF RAMP)	27+07.99		27+60.49	END OF RAMP AT C.H. 36
RAMP BD (I-74 EB ON RAMP)	10+24.00		10+76.50	BEGINNING OF RAMP AT C.H. 36
RAMP AC (I-74 WB ON RAMP)	10+24.00		10+76.50	BEGINNING OF RAMP AT C.H. 36



HOT-MIX ASPHALT SURFACE REMOVAL - BUTT JOINT

POLYMERIZED HOT-MIX ASPHALT SURFACE COURSE, MIX "D", N105 (196 LBS/SQ YD)

HOT-MIX ASPHALT SURFACE REMOVAL - BUTT JOINT

SHEET REVISED 2-23-11

SHEET 9 OF 10

FILE NAME =	USER NAME = piersonbr	DESIGNED - BJH	REVISED - Addendum #1 2/11	STATE OF ILLINOIS DEPARTMENT OF TRANSPORTATION	MILLING AND PAVING TRANSITION DETAILS	F.A.I. RTE. 74	SECTION (57-20(1),21,22)RS-3	COUNTY McLean	TOTAL SHEETS 150	SHEET NO. 84
et:\p\work\p\ridot\piersonbr\d0158340\0570550-sht-details.dgn		DRAWN - BJH 8/31/2010	REVISED -							
PLOT SCALE = 40.0000' / 1"		CHECKED -	REVISED -		SCALE:	SHEET NO. 9 OF 10 SHEETS	STA.	TO STA.		
PLOT DATE = 2/18/2011		DATE -	REVISED -							CONTRACT NO. 70550 ILLINOIS FED. AID PROJECT