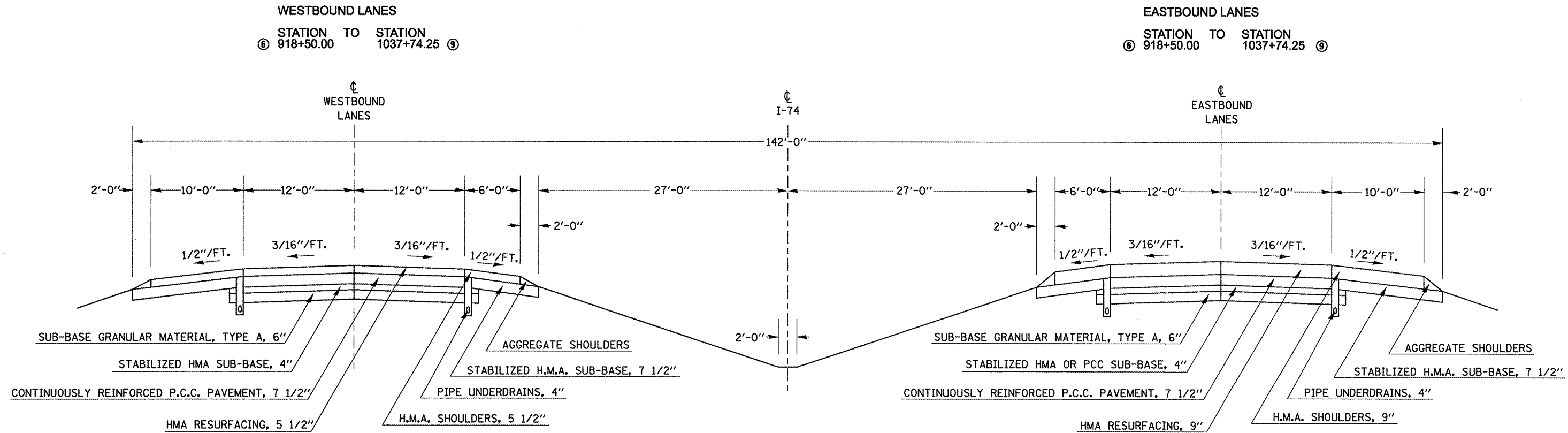
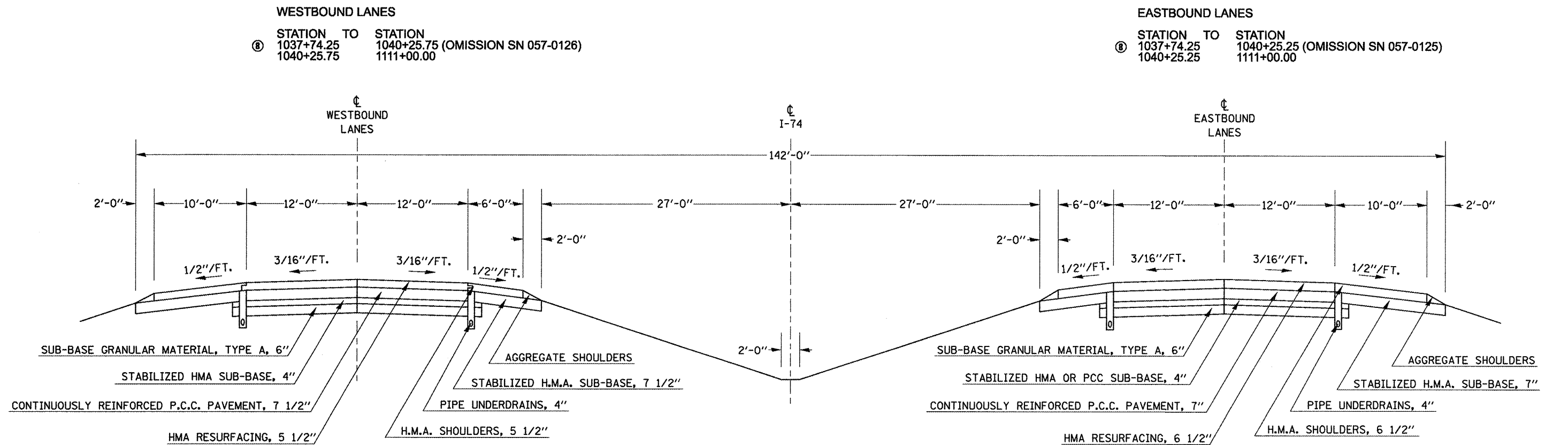


EXISTING TYPICAL CROSS SECTION ⑧



EXISTING TYPICAL CROSS SECTION ⑨



FILE NAME =	USER NAME = hoganbj	DESIGNED -	REVISED -
cr:\pwork\pwork\dot\hoganbj\158348\057058-sh-typ10a1.dgn		DRAWN -	REVISED -
PLOT SCALE = 1/8" = 1' IN.		CHECKED -	REVISED -
PLOT DATE = 10/21/2010		DATE -	REVISED -

STATE OF ILLINOIS
DEPARTMENT OF TRANSPORTATION

EXISTING TYPICAL SECTIONS				
SCALE:	SHEET NO.	OF SHEETS	STA.	TO STA.

F.A.I. RTE.	SECTION	COUNTY	TOTAL SHEETS	SHEET NO.
74	(57-201), 21, 22 IRS-3	MCLEAN	150	18
CONTRACT NO. 70550				
ILLINOIS FED. AID PROJECT				