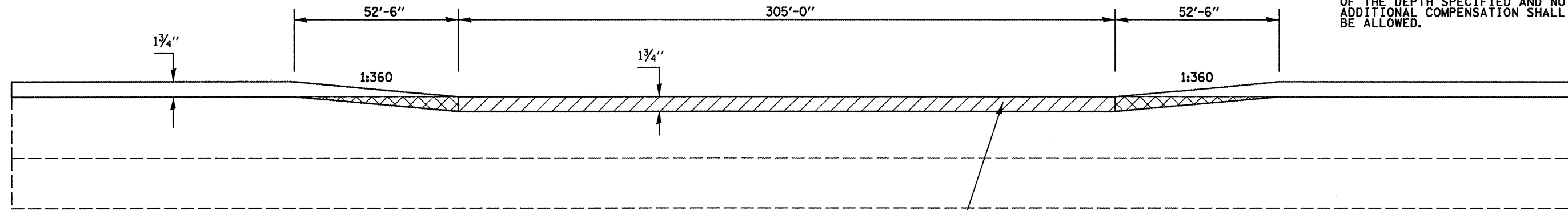


DETAIL FOR I-74 MILLING AND PAVING TRANSITIONS UNDER S.N. 057-0123 & S.N. 057-0124

	<u>STATION</u>	<u>TO</u>	<u>STATION</u>	
I-74 WBPL, WBPS, & WBDS	905+67.50		909+77.50	UNDER S.N. 057-0123
I-74 WBPL, WBPS, & WBDS	1005+74.50		1009+84.50	UNDER S.N. 057-0124

NOTE: AREA OF MILLING TRANSITION SHALL BE INCLUDED IN THE CONTRACT UNIT PRICE FOR THE VARIOUS PAY ITEMS FOR HOT-MIX ASPHALT SURFACE REMOVAL OF THE DEPTH SPECIFIED AND NO ADDITIONAL COMPENSATION SHALL BE ALLOWED.

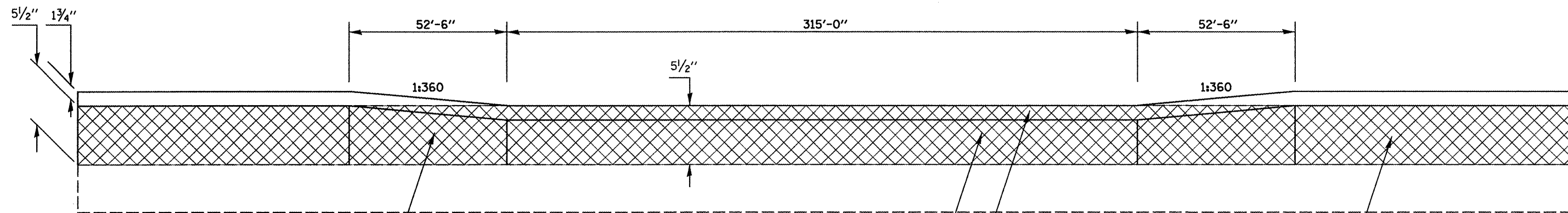


POLYMERIZED HOT-MIX ASPHALT SURFACE COURSE, MIX "D", N105 (196 LBS/SQ YD) ON MAINLINE & HOT-MIX ASPHALT SHOULDERS (196 LBS/SQ YD) ON SHOULDERS

- AREA OF MILLING TRANSITION VARIABLE DEPTH (PROFILE MILL) - 1 3/4"
- HOT-MIX ASPHALT SURFACE REMOVAL, 1 3/4"

DETAIL FOR I-74 MILLING AND PAVING TRANSITIONS UNDER S.N. 057-0127

	<u>STATION</u>	<u>TO</u>	<u>STATION</u>	
I-74 WBDL	1088+30.00		1092+50.00	UNDER S.N. 057-0127



POLYMERIZED HOT-MIX ASPHALT BINDER COURSE, IL-19.0, FG, N105, (TRANS. FROM 616 LBS/SQ YD TO 420 LBS/SQ YD) (typ.)

POLYMERIZED HOT-MIX ASPHALT BINDER COURSE, IL-19.0, FG, N105, (420 LBS/SQ YD)

POLYMERIZED HOT-MIX ASPHALT BINDER COURSE, IL-19.0, FG, N105, (616 LBS/SQ YD) (typ.)

POLYMERIZED HOT-MIX ASPHALT SURFACE COURSE, MIX "D", N105 (196 LBS/SQ YD)

- HOT-MIX ASPHALT SURFACE REMOVAL, 5 1/2"

SHEET 7 OF 10

FILE NAME =	USER NAME = hogenbj	DESIGNED - BJH	REVISED -
ca:\pwwork\pwwork\hogenbj\0158340\0570127\58-sht-details.dgn		DRAWN - BJH 8/30/2010	REVISED -
PLOT SCALE = 48.0000' / IN.		CHECKED -	REVISED -
PLOT DATE = 10/21/2010		DATE -	REVISED -

**STATE OF ILLINOIS
DEPARTMENT OF TRANSPORTATION**

MILLING AND PAVING TRANSITION DETAILS

F.A.I. RTE.	SECTION	COUNTY	TOTAL SHEETS	SHEET NO.
74	(57-2011), 21, 22, IRS-3	McLean	150	82
			CONTRACT NO. 70550	
ILLINOIS FED. AID PROJECT				

SCALE: SHEET NO. 7 OF 10 SHEETS STA. TO STA.