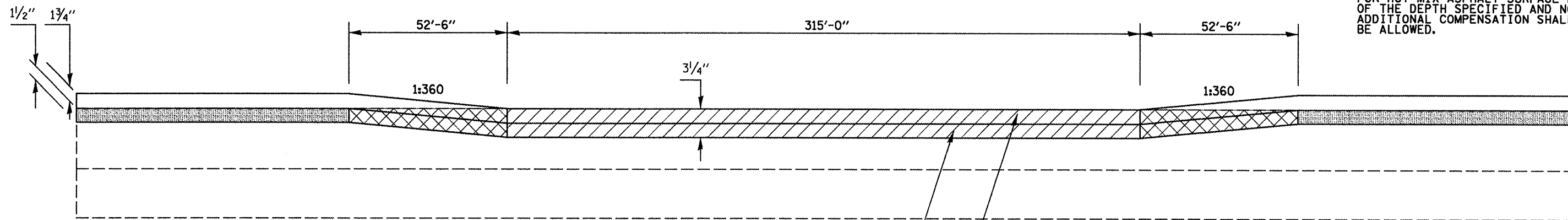


## DETAIL FOR I-74 MILLING AND PAVING TRANSITIONS UNDER S.N. 057-0127

STATION      TO      STATION  
 I-74 EBPL    1088+37.50    1092+57.50    UNDER S.N. 057-0127

NOTE: AREA OF MILLING TRANSITION SHALL BE INCLUDED IN THE CONTRACT UNIT PRICE FOR THE VARIOUS PAY ITEMS FOR HOT-MIX ASPHALT SURFACE REMOVAL OF THE DEPTH SPECIFIED AND NO ADDITIONAL COMPENSATION SHALL BE ALLOWED.



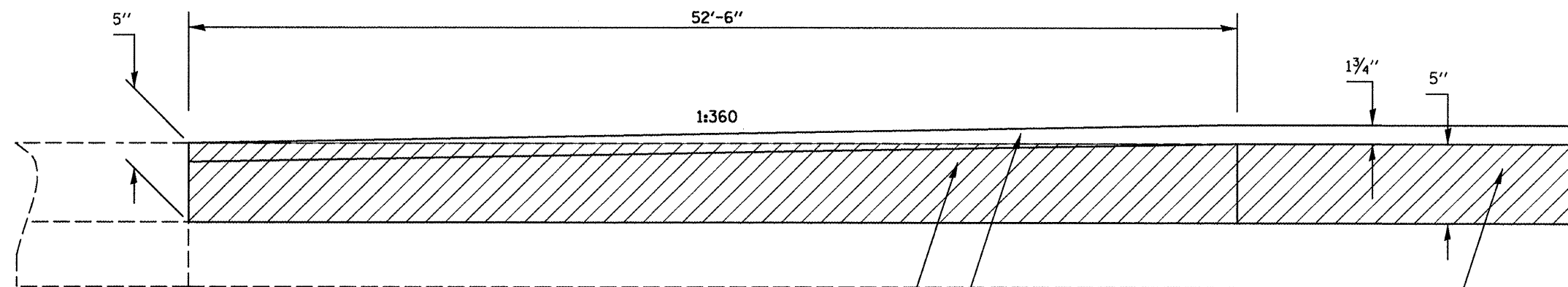
POLYMERIZED HOT-MIX ASPHALT SURFACE COURSE, MIX "C", N105 (168 LBS/SQ YD)

POLYMERIZED HOT-MIX ASPHALT SURFACE COURSE, MIX "D", N105, (196 LBS/SQ YD)

- HOT-MIX ASPHALT SURFACE REMOVAL, 1/2"
- AREA OF MILLING TRANSITION 1/2" - 3/4"
- HOT-MIX ASPHALT SURFACE REMOVAL, 3/4"

## DETAIL FOR DOWNS INTERCHANGE MILLING AND PAVING TRANSITIONS AT 5" MILLING LOCATIONS

STATION      TO      STATION  
 RAMP CB (I-74 EB OFF RAMP)    28+11.48    28+63.98    END OF RAMP AT C.H. 36  
 RAMP DA (I-74 WB OFF RAMP)    27+07.99    27+60.49    END OF RAMP AT C.H. 36



POLYMERIZED HOT-MIX ASPHALT BINDER COURSE, IL-19.0, FG, N105, (TRANS. FROM 364 LBS/SQ YD TO 560 LBS/SQ YD)

POLYMERIZED HOT-MIX ASPHALT BINDER COURSE, IL-19.0, FG, N105, (560 LBS/SQ YD)

POLYMERIZED HOT-MIX ASPHALT SURFACE COURSE, MIX "D", N105 (196 LBS/SQ YD)

HOT-MIX ASPHALT SURFACE REMOVAL, 5"

SHEET 9 OF 10

FILE NAME =	USER NAME = hoganbj	DESIGNED - BJH	REVISED -	<b>STATE OF ILLINOIS DEPARTMENT OF TRANSPORTATION</b>	<b>MILLING AND PAVING TRANSITION DETAILS</b>	F.A.I. RTE.	SECTION	COUNTY	TOTAL SHEETS	SHEET NO.	
		DRAWN - BJH 8/31/2010	REVISED -			74	(57-20(1),21,22)RS-3	McLean	150	84	
	PLOT SCALE = 40,0000' / IN.	CHECKED -	REVISED -			CONTRACT NO. 70550		ILLINOIS FED. AID PROJECT			
	PLOT DATE = 10/21/2010	DATE -	REVISED -			SCALE:	SHEET NO. 9 OF 10 SHEETS	STA.	TO STA.		