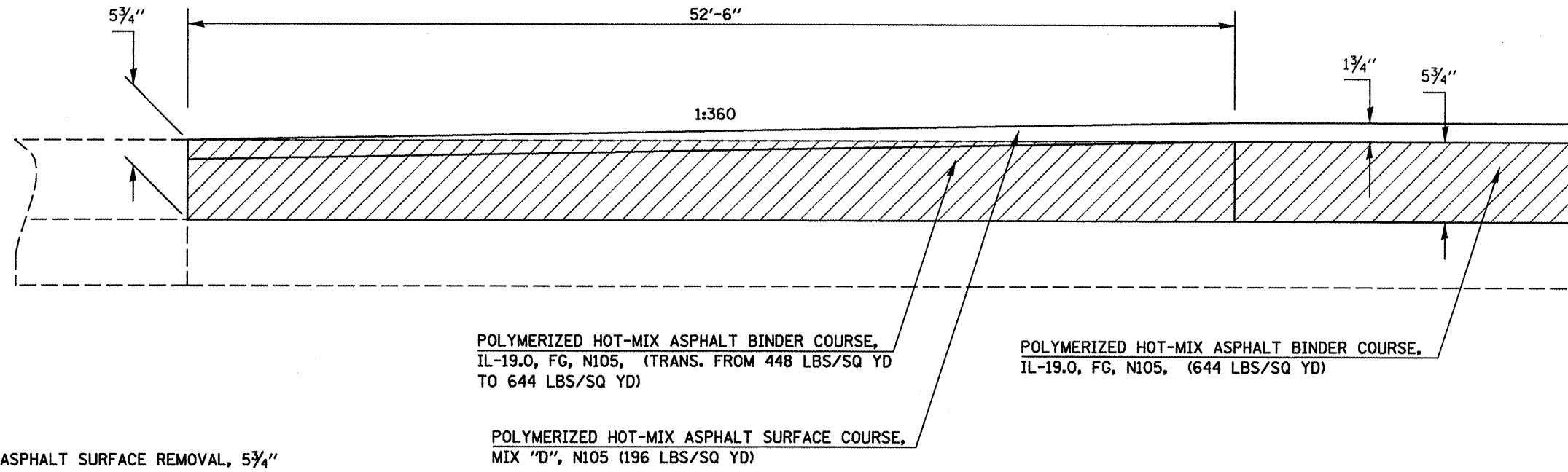


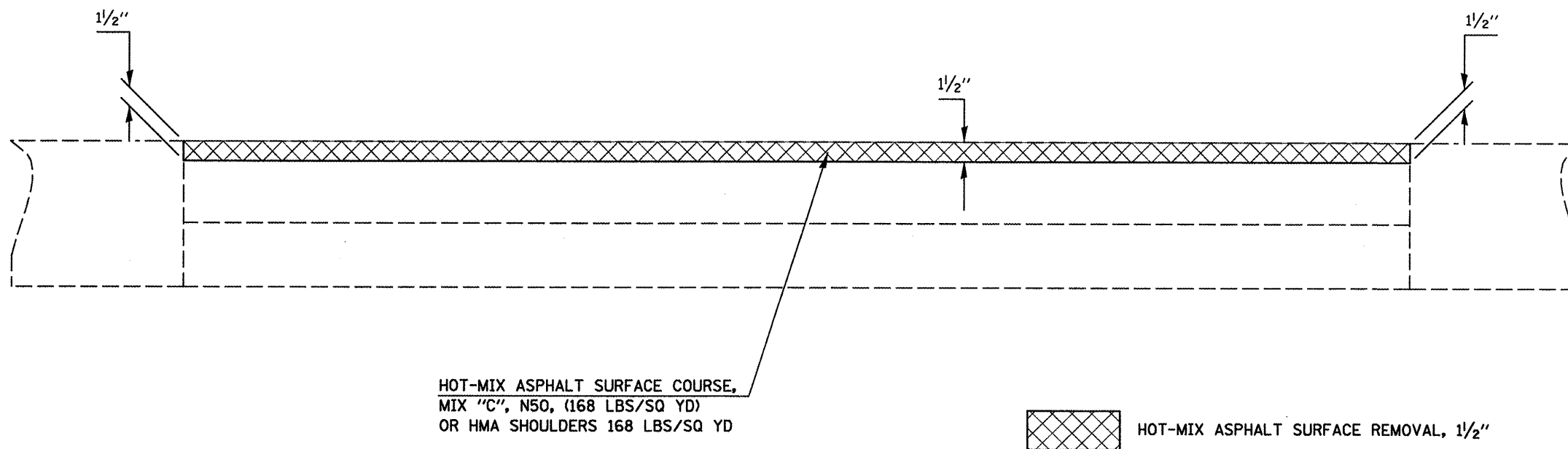
## DETAIL FOR DOWNS INTERCHANGE MILLING AND PAVING TRANSITIONS AT 5 3/4" MILLING LOCATIONS

	STATION	TO	STATION	
RAMP BD (I-74 EB ON RAMP)	10+24.00		10+76.50	BEGINNING OF RAMP AT C.H. 36
RAMP AC (I-74 WB ON RAMP)	10+24.00		10+76.50	BEGINNING OF RAMP AT C.H. 36



## DETAIL FOR C.H. 36 MILLING AND PAVING AT INLAY LOCATIONS (1 1/2" MILL AND FILL)

	STATION	TO	STATION
C.H. 36	16+92.44		69+50.00



SHEET 10 OF 10

FILE NAME =	USER NAME = hogenbj	DESIGNED - BJH	REVISED -
ca\pw_work\pwwdot\hogenbj\d0158340\057059-shtr-detail.dgn		DRAWN - BJH 8/31/2010	REVISED -
PLOT SCALE = 48.0000' / IN.		CHECKED -	REVISED -
PLOT DATE = 10/21/2010		DATE -	REVISED -

**STATE OF ILLINOIS  
DEPARTMENT OF TRANSPORTATION**

**MILLING AND PAVING TRANSITION DETAILS**

SCALE: SHEET NO. 10 OF 10 SHEETS STA. TO STA.

F.A.I. RTE.	SECTION	COUNTY	TOTAL SHEETS	SHEET NO.
74	(57-2011), 21, 22 IRS-3	McLean	150	85
CONTRACT NO. 70550				
ILLINOIS FED. AID PROJECT				