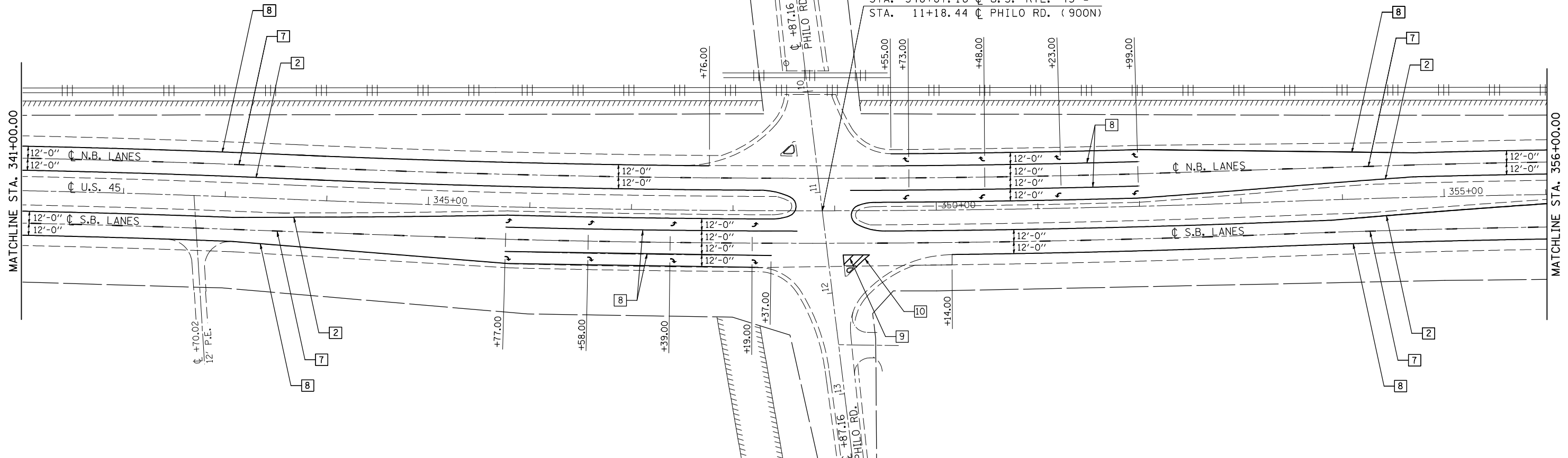


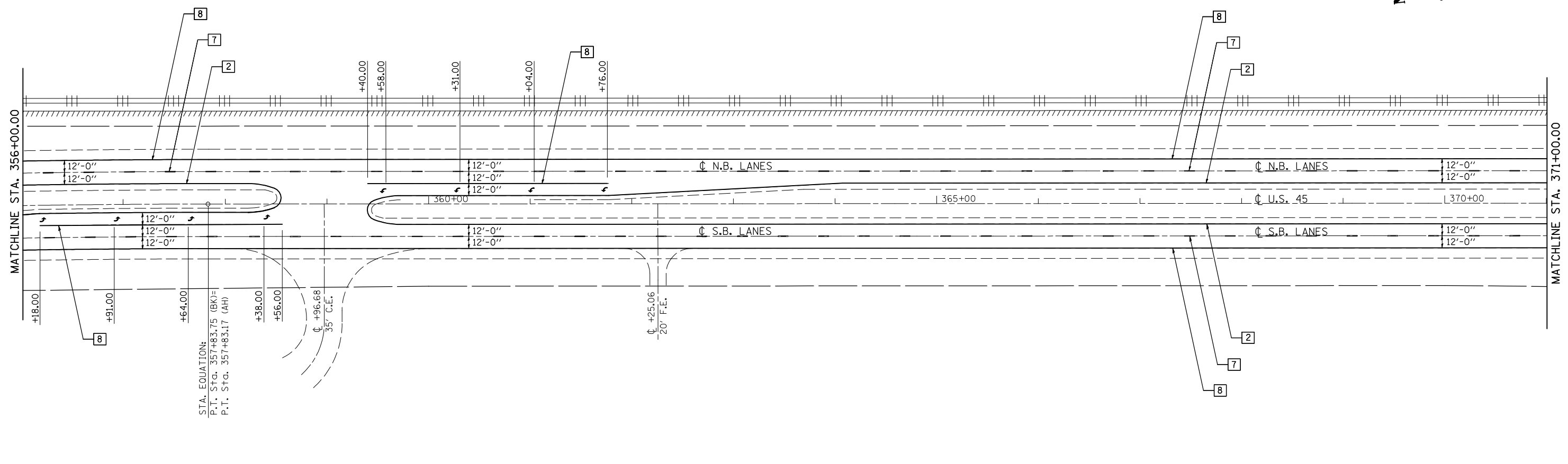
SEC 14, T. 18 N., R. 8 E., 3rd P.M.

SEC 23, T. 18 N., R. 8 E., 3rd P.M.

STA. 348+87.16 \dot{C} U.S. RTE. 45 =
 STA. 11+18.44 \dot{C} PHILO RD. (900N)



SEC 23, T. 18 N., R. 8 E., 3rd P.M.



FILE NAME = c:\pwwork\pmdot\bucklesj\0218336\0570708-shd-pmk.dgn	USER NAME = bucklesj	DESIGNED - GAE	REVISED -	STATE OF ILLINOIS DEPARTMENT OF TRANSPORTATION	PAVEMENT MARKING PLAN SHEET			F.A.P. RTE. = 804	SECTION = (23,24,25)RS-5	COUNTY = CHAMPAIGN	TOTAL SHEETS = 61	SHEET NO. = 47
	PLOT SCALE = 100.0000' / IN.	CHECKED -	REVISED -					SCALE: 1" = 50'	SHEET NO. 8 OF 10 SHEETS	STA. 341+00.00 STA. 371+00.00	CONTRACT NO. 70708	
PLOT DATE = 12/16/2010	DATE = 08/23/10	REVISED -	REVISED -									