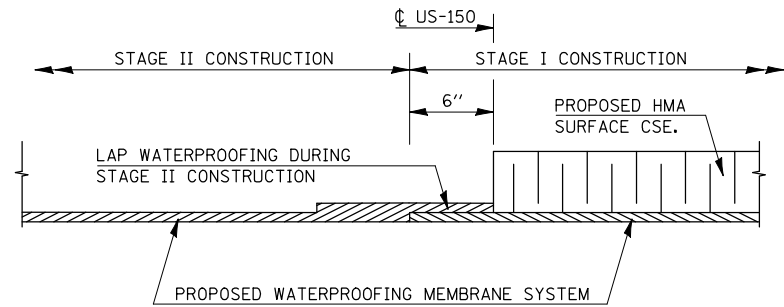
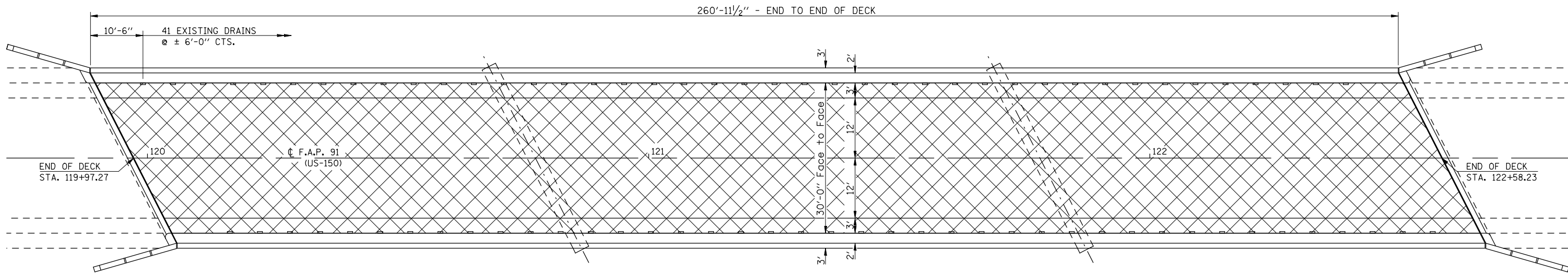
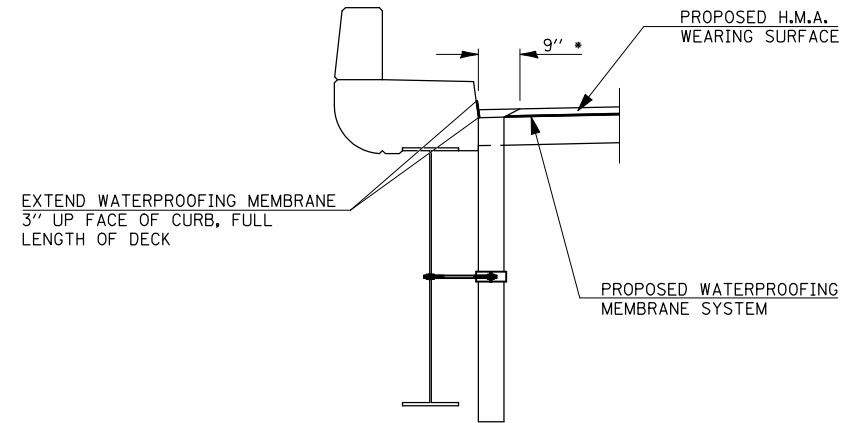


# WEARING SURFACE DETAILS

## S.N. 023-0013



WATERPROOFING TREATMENT  
AT STAGE CONSTRUCTION



SECTION AT DRAIN

• SEE SHEET 7 OF 9 FOR PROPOSED FLOOR DRAIN DETAILS

LEGEND

H.M.A. SURFACE REMOVAL (DECK) & PROPOSED H.M.A. WEARING SURFACE AND WATERPROOFING MEMBRANE SYSTEM

BILL OF MATERIALS

ITEM	UNIT	TOTAL
H.M.A. SURFACE REMOVAL (DECK)	SQ YD	870.0
WATERPROOFING MEMBRANE SYSTEM	SQ YD	899.0
H.M.A. SURFACE COURSE, MIX C, N-50	TON	73.0

•91 & 332

FILE NAME =	USER NAME = carrollrt	DESIGNED - GMS	REVISED -
ct:\pw\work\p\dot\carrollrt\0212096\Bri	Bridge Repairs - 023-0013.dgn	DRAWN - GMS	REVISED -
	PLOT SCALE = 40.0001' / IN.	CHECKED -	REVISED -
	PLOT DATE = 12/10/2010	DATE -	REVISED -

**STATE OF ILLINOIS**  
**DEPARTMENT OF TRANSPORTATION**

**WEARING SURFACE DETAILS**  
**S.N. 023-0013**

SCALE: SHEET NO. 3 OF 9 SHEETS STA. TO STA.

F.A.P. RTE.	SECTION	COUNTY	TOTAL SHEETS	SHEET NO.
•	101 BDR & CX-BJR	EDGAR	36	6
CONTRACT NO. 70873				
FED. ROAD DIST. NO. ILLINOIS FED. AID PROJECT				