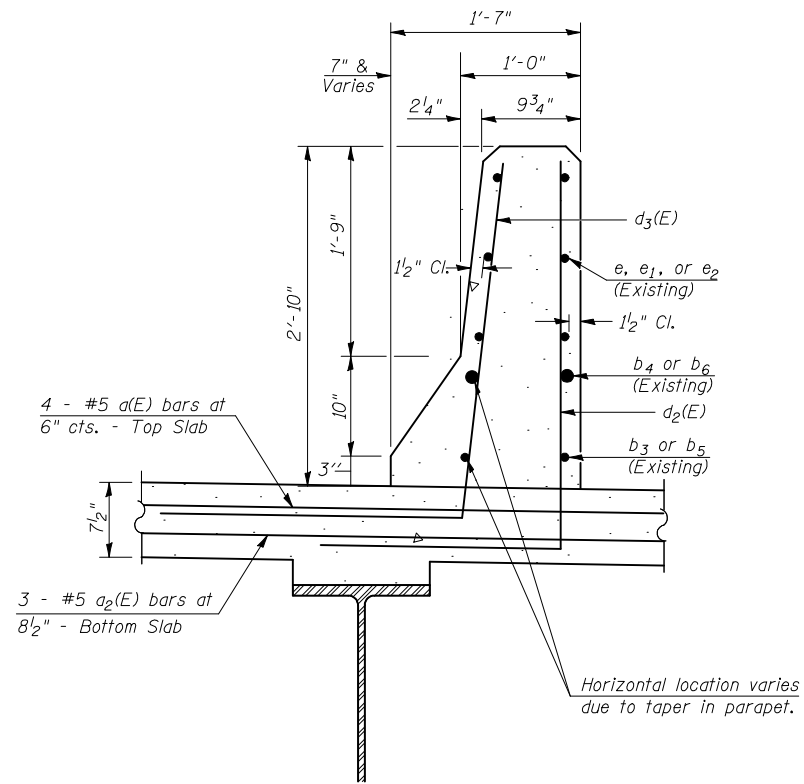
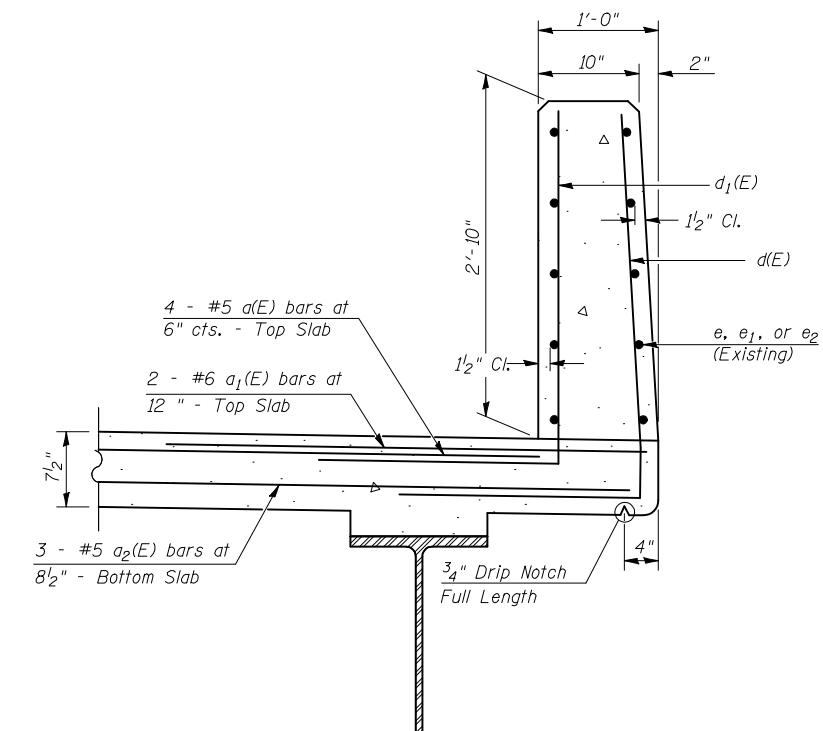


PARAPET DETAILS

S.N. 023-0024

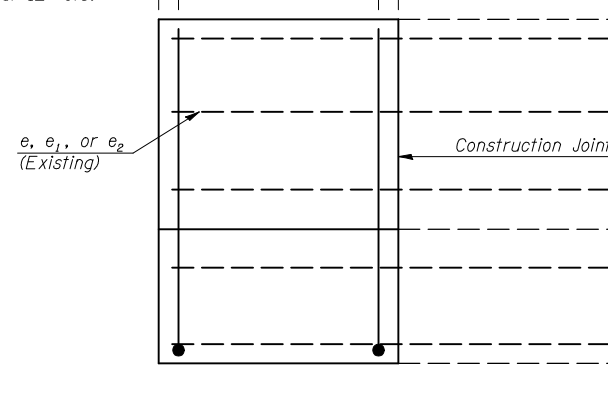


**SECTION THRU
INSIDE PARAPET**



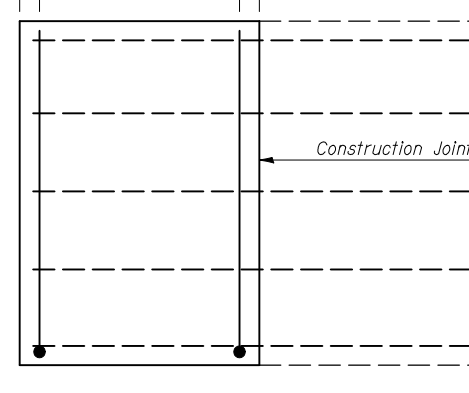
**SECTION THRU
OUTSIDE PARAPET**

3'-6" Parapet Removal Limits
4- #4 d2(E) bars at 12" cts.
4- #6 d3(E) bars at 12" cts.

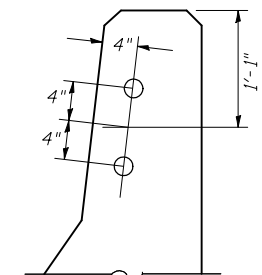
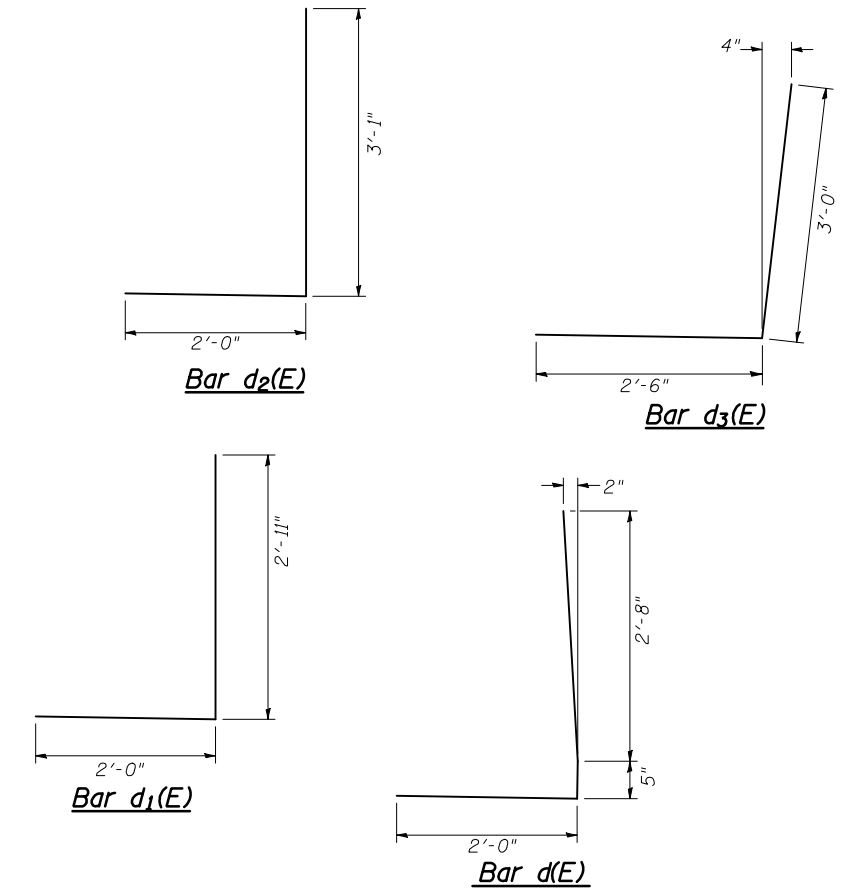


**ELEVATION
INSIDE PARAPET**

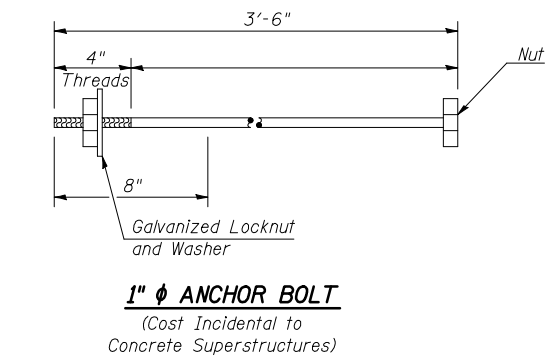
3'-6" Parapet Removal Limits
4- #4 d(E) bars at 12" cts.
4- #5 d1(E) bars at 12" cts.



**ELEVATION
OUTSIDE PARAPET**



ANCHOR BOLT LOCATION
Note:
Bolts are to be placed nearest face toward approaching traffic at each end of parapet.



FILE NAME =	USER NAME = carrollrt	DESIGNED R. Carroll	REVISED -
ct:\pw\work\p\dot\carrollrt\d0212096\Bri	Bridge Repairs - 023-0024.dgn	DRAWN R. Carroll	REVISED -
	PLOT SCALE = 40.0000 ' / IN.	CHECKED T. Brandenburg	REVISED -
	PLOT DATE = 12/10/2010	DATE 10/1/2010	REVISED -

**STATE OF ILLINOIS
DEPARTMENT OF TRANSPORTATION**

PARAPET DETAILS S.N. 023-0024			
SCALE:	SHEET NO. 6 OF 19 SHEETS	STA.	TO STA.

*332 & 91				
F.A.P. RTE.	SECTION	COUNTY	TOTAL SHEETS	SHEET NO.
*	101 BDR & CX-BJR	EDGAR	36	18
CONTRACT NO. 70873				
ILLINOIS FED. AID PROJECT				