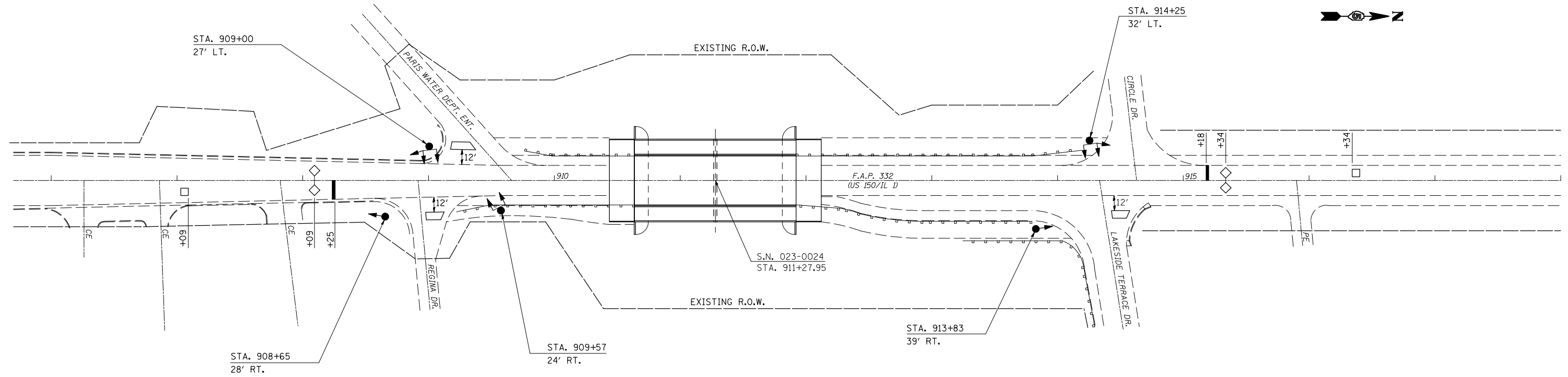
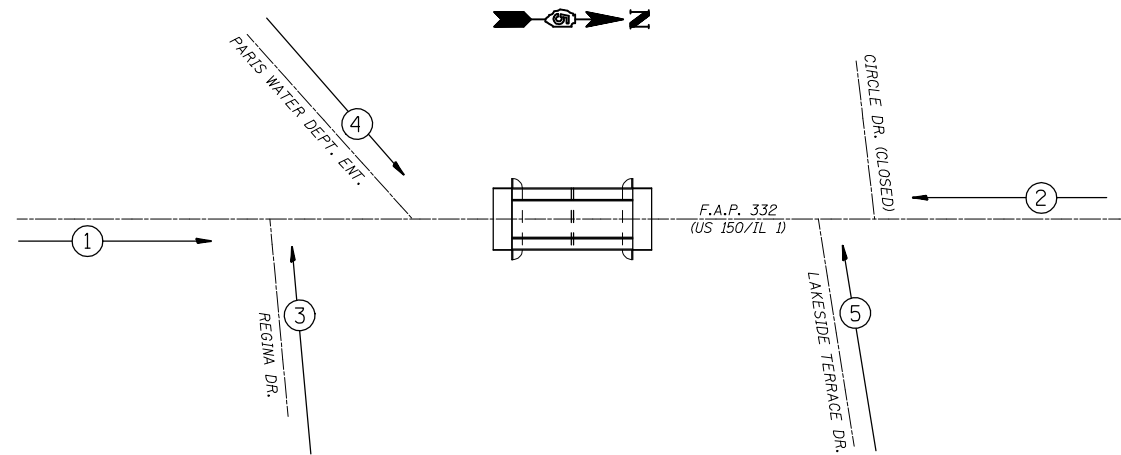


TEMPORARY BRIDGE TRAFFIC SIGNAL LAYOUT



NOTES
 THE FINAL LOCATION OF ALL TRAFFIC CONTROL ITEMS SHALL BE VERIFIED BY THE ENGINEER IN THE FIELD.

 ALL SIDESTREET LOOP LENGTHS = 6 FT.
 SIDESTREET LOOP WIDTHS ARE VARIABLE AND CAN BE ADJUSTED TO FIT FIELD CONDITIONS.



PHASE DESIGNATION DIAGRAM
FOR TEMPORARY SIGNALS

LEGEND

- ◇ DETECTOR LOOP
- ▲ TRAFFIC SIGNAL HEAD
- TRAFFIC SIGNAL POST

FILE NAME =	USER NAME = carrollrt	DESIGNED -	REVISED -
ct:\pw\work\pwidot\carrollrt\0212088\1070873-Design_023-0024.dgn		DRAWN -	REVISED -
	PLOT SCALE = 100.0000' / IN.	CHECKED -	REVISED -
	PLOT DATE = 12/10/2010	DATE -	REVISED -

**STATE OF ILLINOIS
DEPARTMENT OF TRANSPORTATION**

TEMPORARY BRIDGE TRAFFIC SIGNAL LAYOUT			
SCALE:	SHEET NO.	OF SHEETS	STA. TO STA.

*332 & 91				
F.A.P. RTE.	SECTION	COUNTY	TOTAL SHEETS	SHEET NO.
•	101BDR & CX-BJR	EDGAR	36	21
CONTRACT NO. 70873			ILLINOIS FED. AID PROJECT	