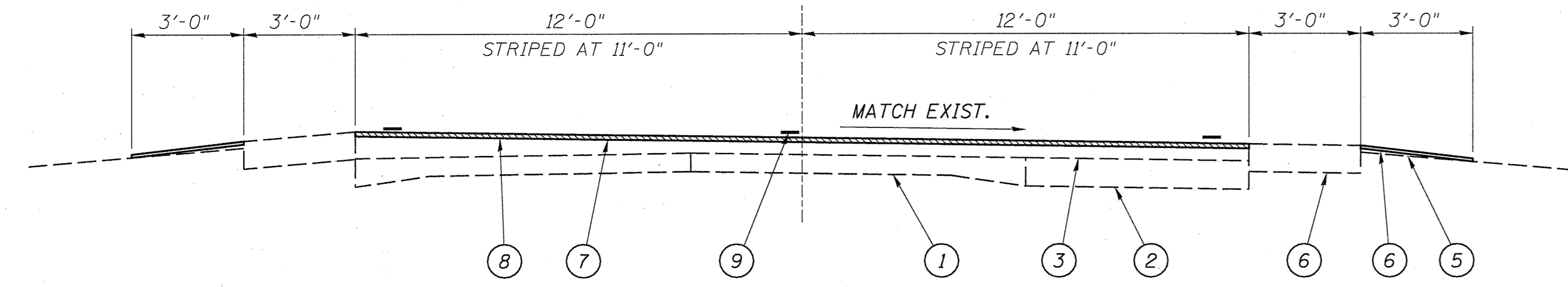


STA. 581+38.70 TO 606+13.78



STA. 611+74 TO 635+34

- LEGEND**
- 1 - EXIST. P.C.C. PAVEMENT 9-6-9
  - 2 - EXIST. P.C.C. BASE COURSE WIDENING 9"
  - 3 - EXIST. HOT-MIX ASPHALT SURFACE
  - 4 - EXIST. HOT-MIX ASPHALT SHOULDER
  - 5 - EXIST. AGGREGATE SHOULDERS
  - 6 - PROP. AGGREGATE SHOULDERS, TYPE B
  - 7 - PROP. HOT-MIX ASPHALT SURFACE REMOVAL 1 1/2"
  - 8 - PROP. HOT-MIX ASPHALT SURFACE COURSE, MIX C, N70 1 1/2"
  - 9 - PROP. PAINT PAVEMENT MARKING - LINE 5"

TYPICALS  
FAP 315 (US 136)  
SECTION 123 RS-7  
MASON COUNTY