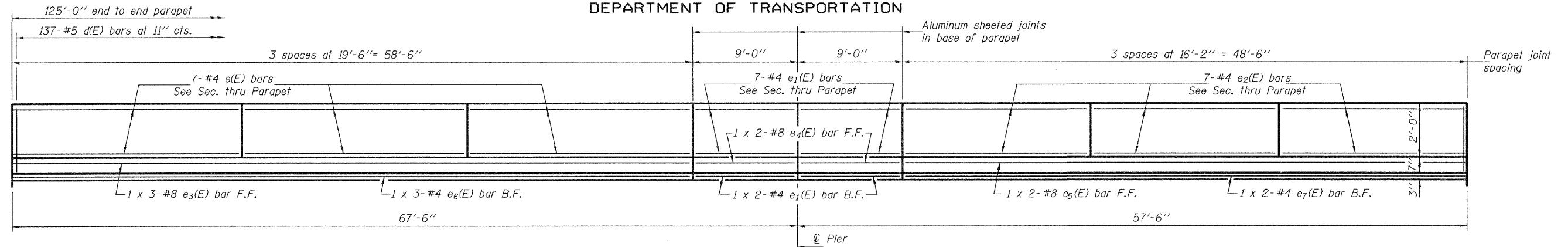
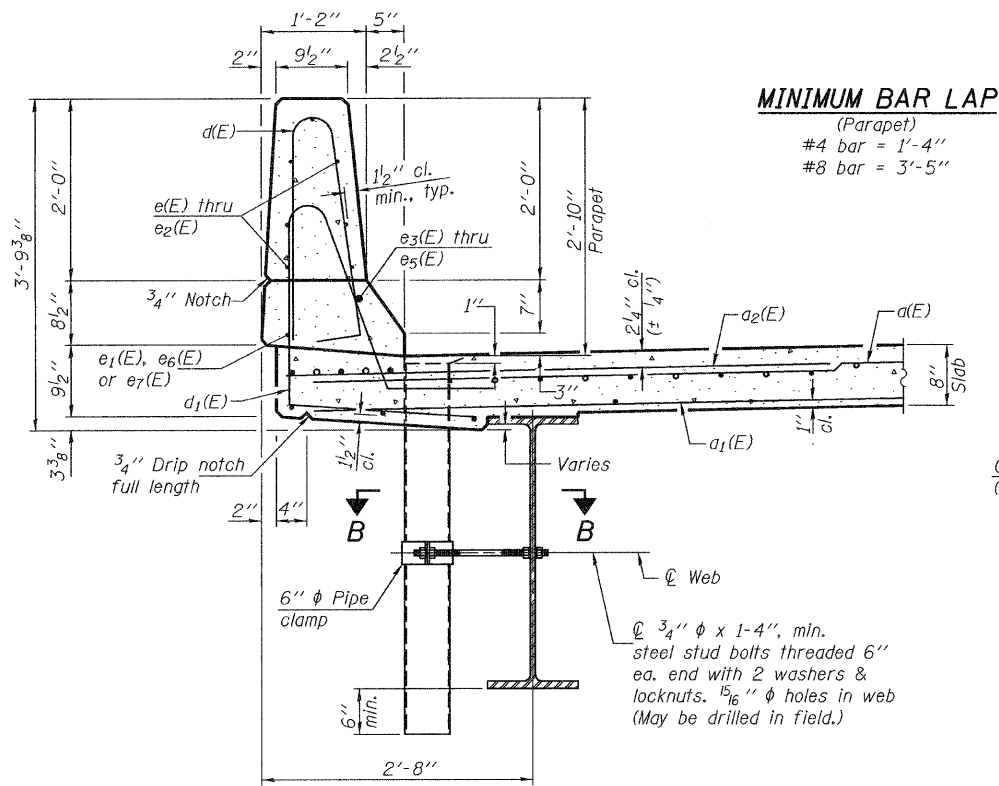


STATE OF ILLINOIS
DEPARTMENT OF TRANSPORTATION

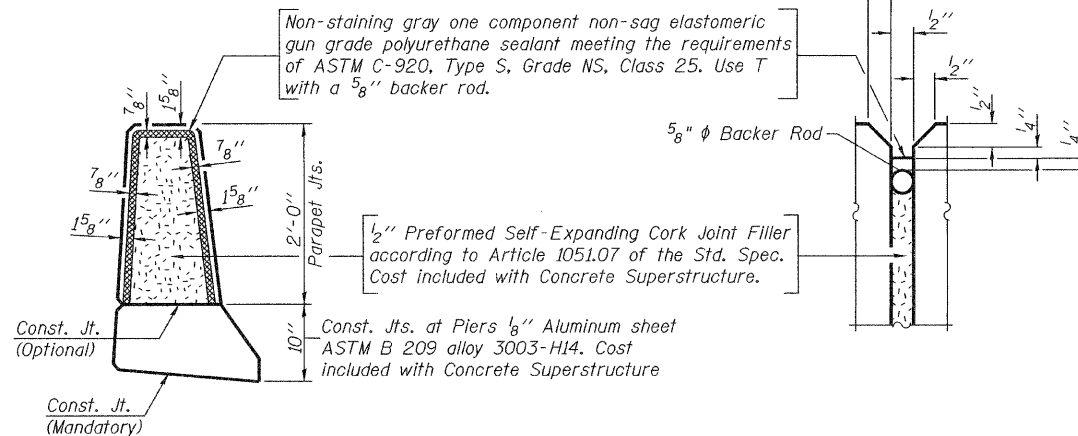


INSIDE ELEVATION OF SOUTH PARAPET
(Looking south; North parapet similar)



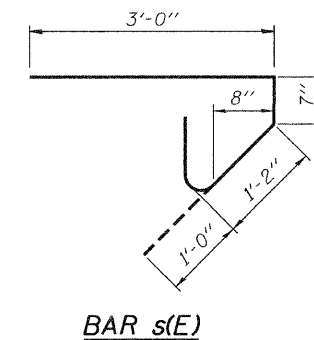
SECTION THRU PARAPET

MINIMUM BAR LAP
(Parapet)
#4 bar = 1'-4"
#8 bar = 3'-5"

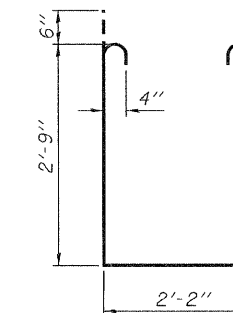


PARAPET JOINT DETAILS

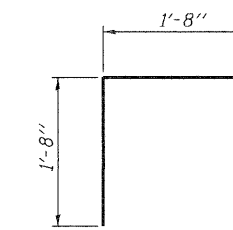
Notes:
The exterior surfaces of the floor drains shall be painted with the finish coat as specified in the special provisions for Cleaning and Painting New Metal Structures. The exterior surfaces of the drains shall be cleaned according to Society of Protective Coating Spec. SSPC-SP1 prior to painting.
Fiberglass pipe shall conform to ASTM D 2996, with short-time rupture strength hoop tensile stress of 30,000 p.s.i. minimum. Galvanize clamping device according to AASHTO M 232.



BAR s(E)



BAR s1(E)



BAR v(E)

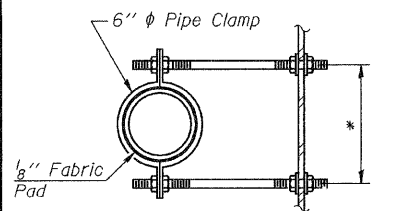
**SUPERSTRUCTURE
BILL OF MATERIAL**

Bar	No.	Size	Length	Shape
a(E)	215	#5	30'-6"	—
a1(E)	151	#5	28'-10"	—
a2(E)	430	#6	6'-0"	—
b(E)	170	#5	26'-9"	—
b1(E)	31	#6	35'-9"	—
b2(E)	186	#5	22'-8"	—
d(E)	274	#5	5'-7"	└
d1(E)	274	#5	7'-4"	└
e(E)	42	#4	19'-2"	—
e1(E)	32	#4	8'-8"	—
e2(E)	42	#4	15'-10"	—
e3(E)	6	#8	21'-10"	—
e4(E)	4	#8	8'-8"	—
e5(E)	4	#8	25'-11"	—
e6(E)	6	#4	20'-4"	—
e7(E)	4	#4	24'-10"	—
m(E)	10	#6	30'-10"	—
m1(E)	24	#6	7'-9"	—
m2(E)	10	#6	4'-11"	—
m3(E)	4	#6	2'-5"	—
s(E)	62	#5	5'-9"	└
s1(E)	52	#4	8'-8"	└
v(E)	64	#5	3'-4"	└
Reinforcement Bars, Epoxy Coated			Pound	33570
Concrete Superstructure			Cu. Yds.	147.9

Bars indicated thus 1 x 3-#5 etc. indicates 1 line of bars with 3 lengths per line.

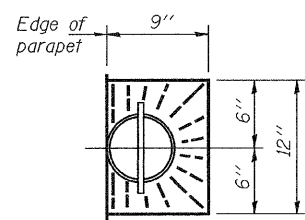
**SUPERSTRUCTURE DETAILS
STRUCTURE NO. 013-0040**

SHEET NO.	S.B.I. RTE.	SECTION	COUNTY	TOTAL SHEETS	SHEET NO.
9	12	10B-1	CLAY	39	21
22 SHEETS					
CONTRACT NO. 74004					
FED. ROAD DIST. NO. _ ILLINOIS FED. AID PROJECT					

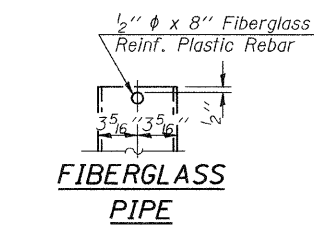


SECTION B-B

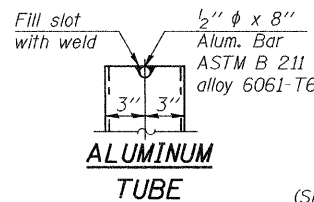
*Dimension as required by Pipe Clamp



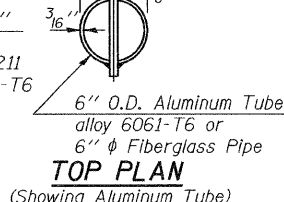
TOP PLAN



FIBERGLASS PIPE

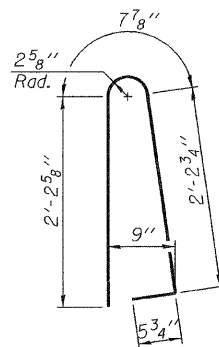


ALUMINUM TUBE

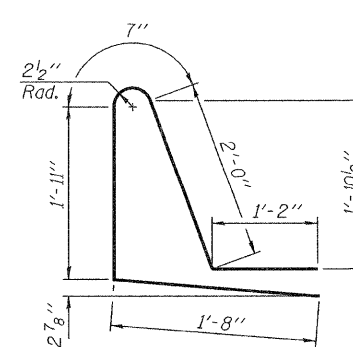


TOP PLAN

(Showing Aluminum Tube)



BAR d(E)



BAR d1(E)