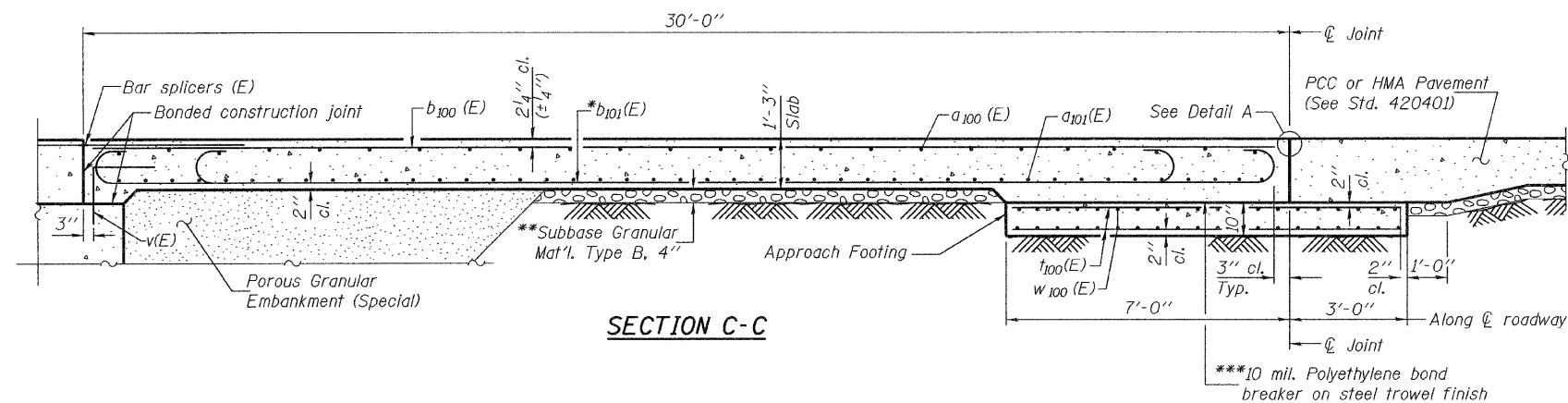
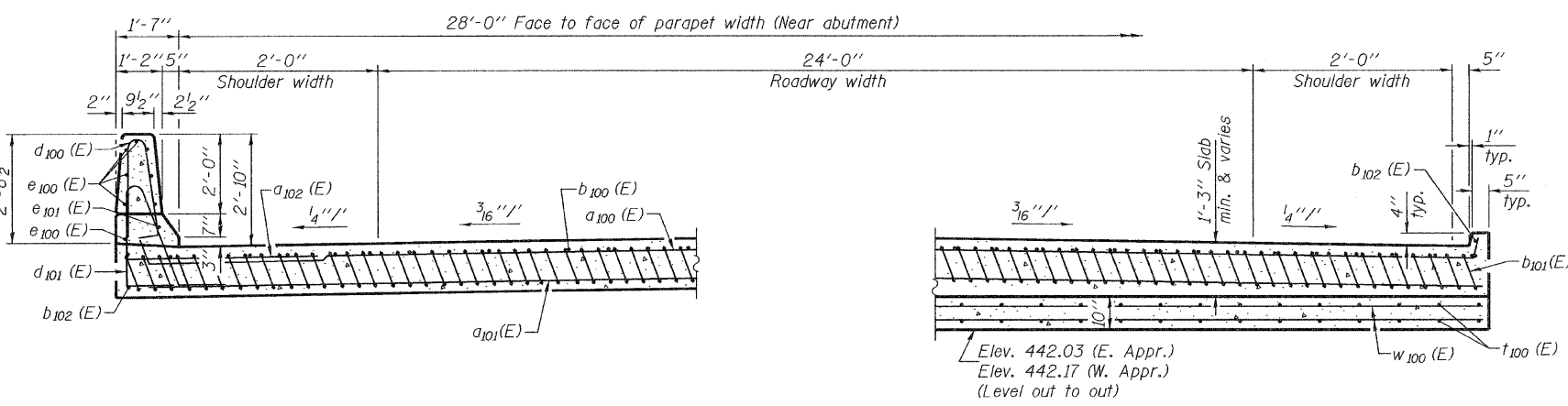


STATE OF ILLINOIS
DEPARTMENT OF TRANSPORTATION

Notes:
See sheet 16 of 22 for Detail A and View B-B.
Approach slab and parapet concrete shall be paid for as Concrete Superstructure.
Approach footing concrete shall be paid for as Concrete Structures.
Reinforcement shall be paid for as Reinforcement Bars, Epoxy Coated.
For v(E) bar details, see sheets 9 of 22.
The approach footing maximum applied service bearing pressure (Q_{max}) = 2.0 ksf.
For bar splicer details, see sheet 19 of 22.
Cost of excavation for approach footing included with Concrete Structures.
For Porous Granular Embankment (Special) and drainage treatment details, see sheet 2 of 22.



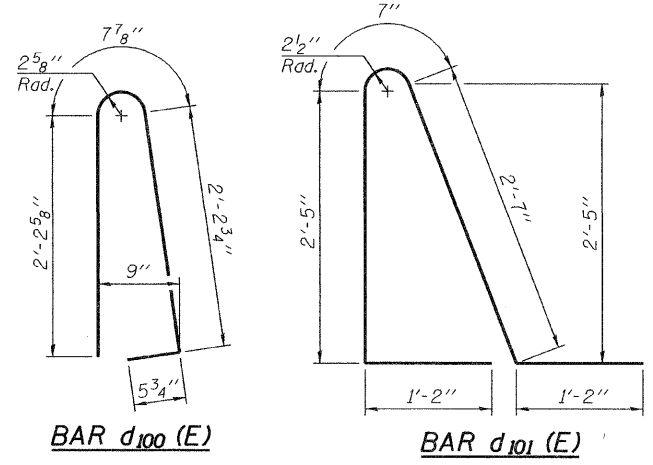
SECTION C-C



NEAR ABUTMENT

SECTION D-D
(See Plan for dimensions not shown)

AT APPROACH FOOTING

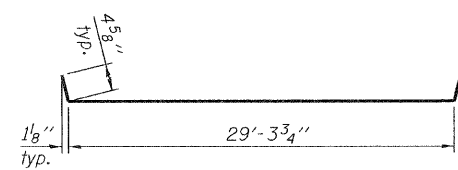


BAR d100 (E)

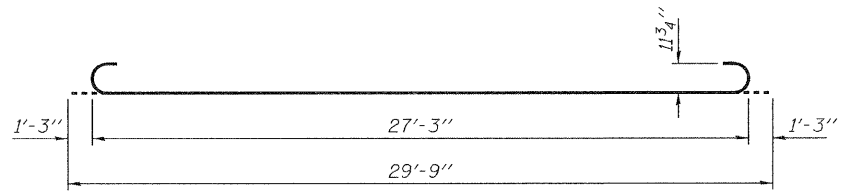
BAR d101 (E)

TWO APPROACHES
BILL OF MATERIAL

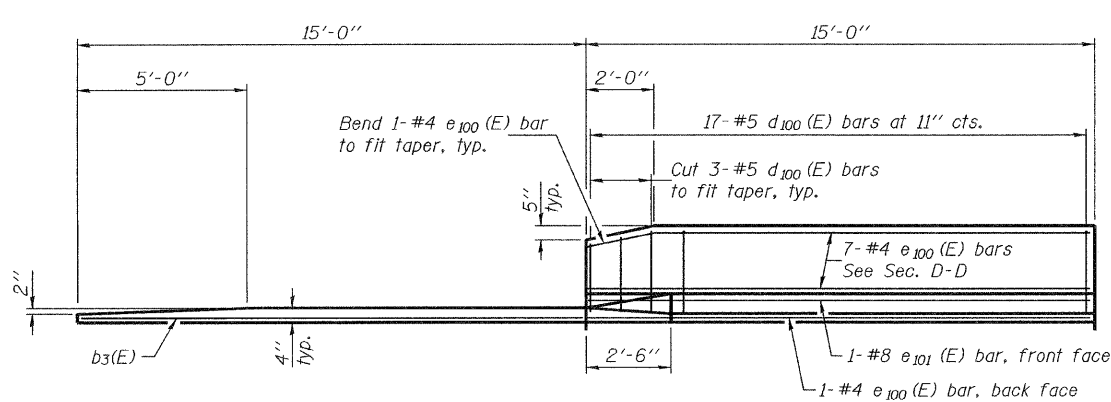
Bar	No.	Size	Length	Shape
a100 (E)	50	#4	30'-1"	—
a101 (E)	92	#5	29'-6"	—
a102 (E)	48	#6	6'-0"	—
b100 (E)	50	#4	29'-8"	—
b101 (E)	144	#9	29'-9"	—
b102 (E)	8	#4	14'-8"	—
d100 (E)	68	#5	5'-7"	—
d101 (E)	68	#5	7'-11"	—
e100 (E)	32	#4	14'-8"	—
e101 (E)	4	#8	14'-8"	—
t100 (E)	124	#4	9'-8"	—
w100 (E)	80	#5	29'-6"	—
Concrete Superstructure			Cu. Yd.	94.1
Concrete Structures			Cu. Yd.	18.4
Reinforcement Bars, Epoxy Coated			Pound	24590



BAR a100 (E)



BAR b101 (E)



VIEW E-E

BRIDGE APPROACH SLAB DETAILS
STRUCTURE NO. 013-0040

DESIGNED	Jay Edwards	EXAMINED	Thomas J. Demagala
CHECKED	Ray Ahanchi	PASSED	Ralph E. Anderson
DRAWN	h.t. duong		
CHECKED	GRA/JDE		

SHEET NO. 17	S.B.I. RTE. 12	SECTION 10B-1	COUNTY CLAY	TOTAL SHEETS 39	SHEET NO. 29
22 SHEETS	FED. ROAD DIST. NO. ILLINOIS		FED. AID PROJECT		
			CONTRACT NO. 74004		