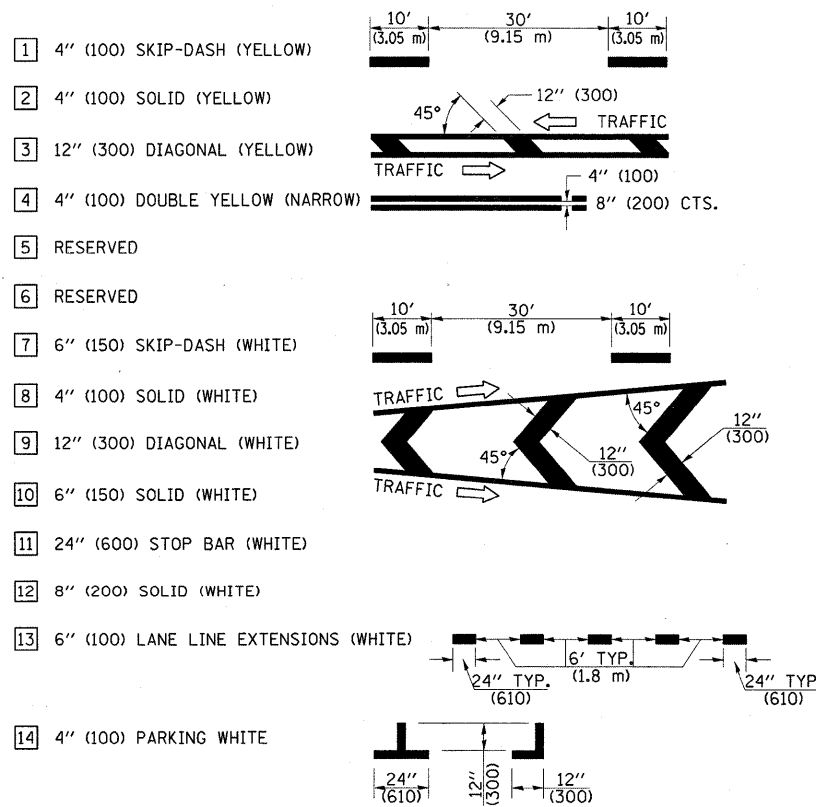


**PAVEMENT MARKING LEGEND**

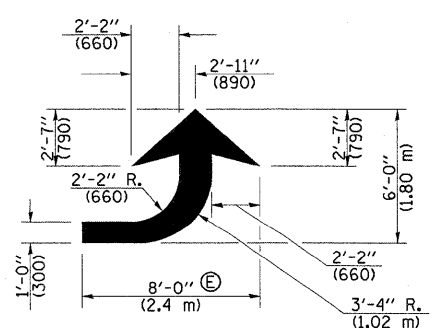
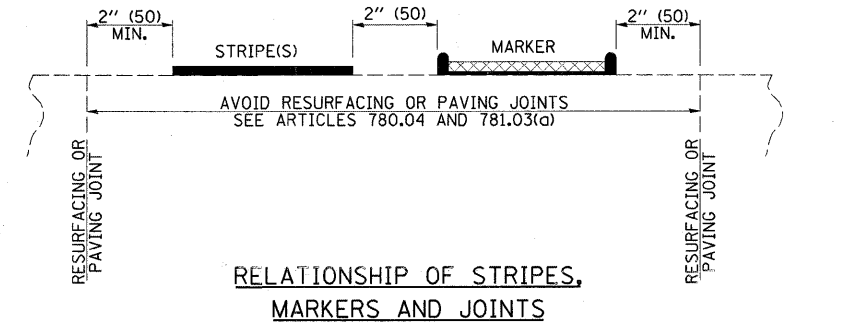


\* REDUCE TO 40 FEET (12.2 METERS) SPACING ON CURVES WHERE ADVISORY SPEEDS ARE 10 MPH (15 km/h) LOWER THAN POSTED SPEEDS.

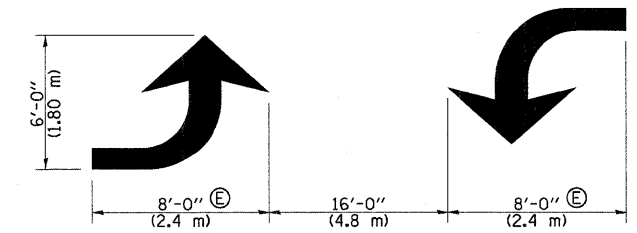
\*\* DOUBLE LANE LINE MARKERS SHALL BE SPECIFIED AND SPACED AS SHOWN IN HIGHWAY STANDARD 781001 FOR MULTI-LANE DIVIDED AND UNDIVIDED HIGHWAYS.

**GENERAL NOTES**

- (B) TURN ARROW PAIRS SHALL BE PLACED AT 250' (75 m) INTERVALS AND SHALL BE EVENLY SPACED BETWEEN BOTH ENDS OF THE BIDIRECTIONAL LEFT TURN LANE. USE A MINIMUM OF TWO PAIRS PER BLOCK.
- (C) THE SOLID YELLOW PAVEMENT MARKINGS (2) SHOULD GENERALLY START OR END NEAR THE RADIUS POINT OF EACH STREET RETURN EXCEPT WHERE ONE OR BOTH ENDS WOULD INCLUDE STOP BARS.
- (D) THE SKIP-DASH PAVEMENT MARKINGS (1) OR (7) SHOULD BE CENTERED BETWEEN BOTH ENDS OF EACH CITY BLOCK AND SHALL BE PLACED SO THEY LINE UP ACROSS FROM EACH OTHER.
- (E) USE LARGE ARROW SIZE FOR BOTH RURAL AND URBAN LOCATIONS. (SEE LAST PAGE OF SECTION 780X FOR SYMBOLS TABLE)



**LEFT ARROW**  
REVERSE FOR RIGHT ARROW  
AREA = 15.6 SQ. FT. (1.47 m<sup>2</sup>)  
(WHITE)



**TYPICAL DOUBLE TURN ARROWS (WHITE)**

NOT TO SCALE  
Note: All dimensions are in INCHES (millimeters) unless otherwise shown.

FILE NAME =	USER NAME = swartrw	DESIGNED -	REVISED -	<b>STATE OF ILLINOIS DEPARTMENT OF TRANSPORTATION</b>	<b>PAVEMENT MARKING AND RAISED REFLECTIVE PAVEMENT MARKERS (RURAL &amp; URBAN APPLICATIONS)</b>	F.A.P. RTE. = 328	SECTION = 104 RS-4	COUNTY = WAYNE	TOTAL SHEETS = 77	SHEET NO. = 47
ca:\px-work\p\dot\swartrw\d8177935\d77448-shd-detail.dgn	PLOT SCALE = 50.0000" / IN.	DRAWN -	REVISED -			CONTRACT NO. 74448				
	PLOT DATE = 12/27/2010	CHECKED -	REVISED -			ILLINOIS FED. AID PROJECT				
		DATE -	REVISED -			SCALE: SHEET NO. 6 OF 8 SHEETS STA. TO STA.				

**DISTRICT 7 DETAIL NO. 7800001**