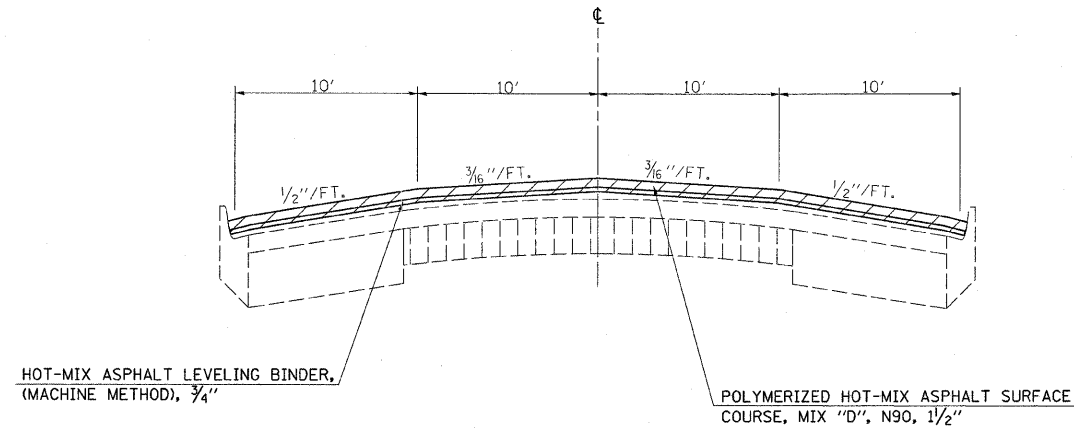
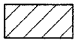


③ PROPOSED TYPICAL CROSS SECTION

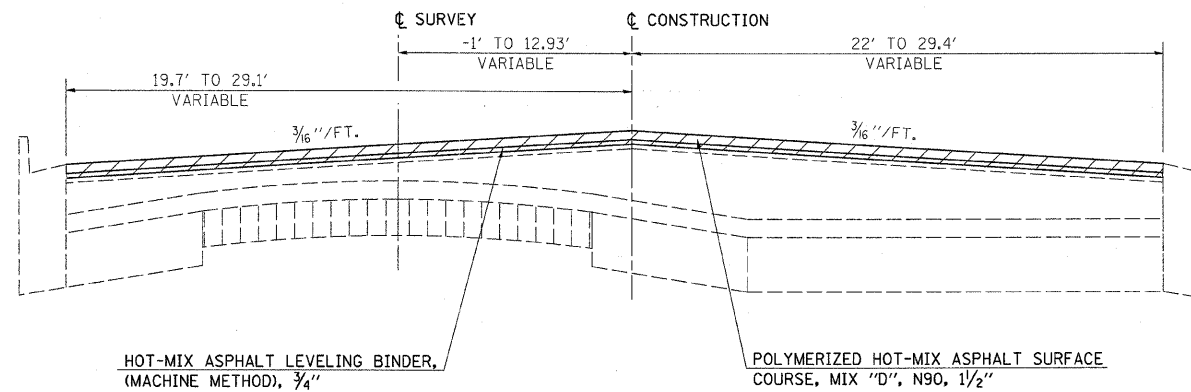
STA. 101+83.12 TO STA. 119+50.00



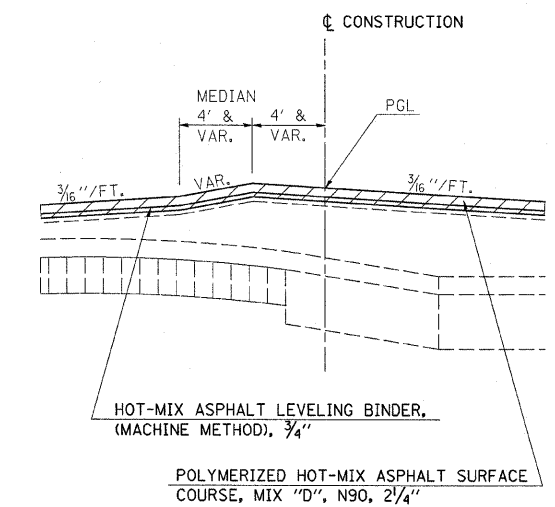
 HOT-MIX ASPHALT SURFACE REMOVAL, 2 1/4"

④ PROPOSED TYPICAL CROSS SECTION

STA. 119+50.00 TO STA. 121+75.79



STA. 121+48.78 TO STA. 121+75.79



 HOT-MIX ASPHALT SURFACE REMOVAL, 1 1/2"

FILE NAME =	USER NAME = swartzrw	DESIGNED -	REVISED -	<b>STATE OF ILLINOIS DEPARTMENT OF TRANSPORTATION</b>	<b>PROPOSED CROSS SECTIONS</b>		F.A.P. RTE.	SECTION	COUNTY	TOTAL SHEETS	SHEET NO.		
ca\pw_work\pwr\dot\swartzrw\d0185396\d774	454-ah-typicals.dgn	DRAWN -	REVISED -		SCALE: NA	SHEET NO. 4 OF 4 SHEETS	STA.	TO STA.	95	18-Z RS-2	EFFINGHAM	32	7
	PLOT SCALE = 50.0000' / IN.	CHECKED -	REVISED -										
	PLOT DATE = 12/13/2010	DATE -	REVISED -										
ILLINOIS FED. AID PROJECT													