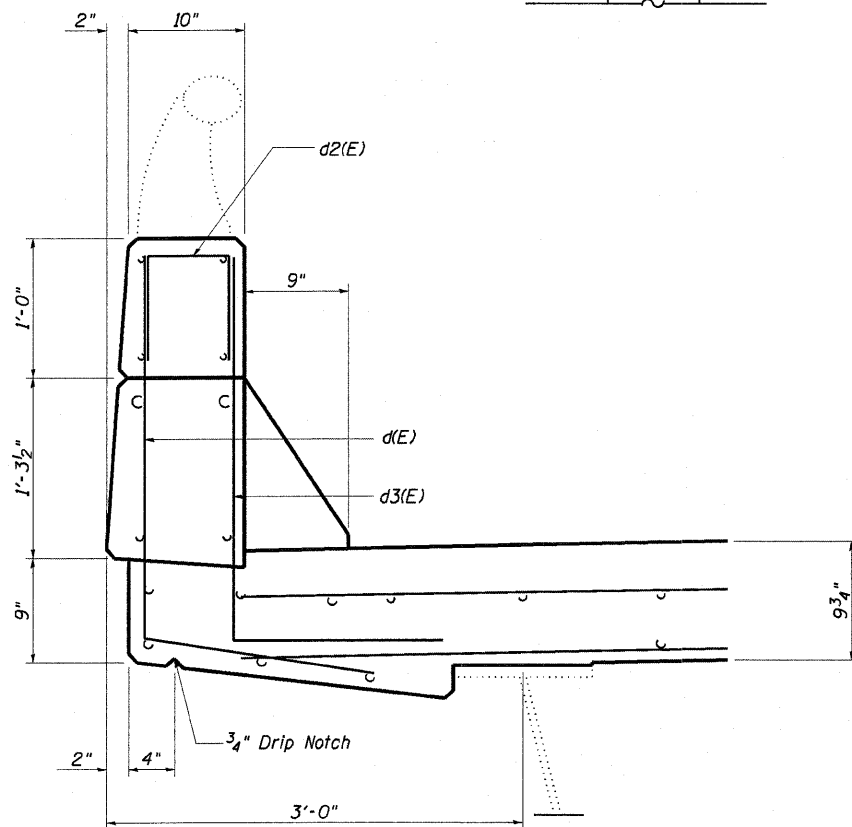
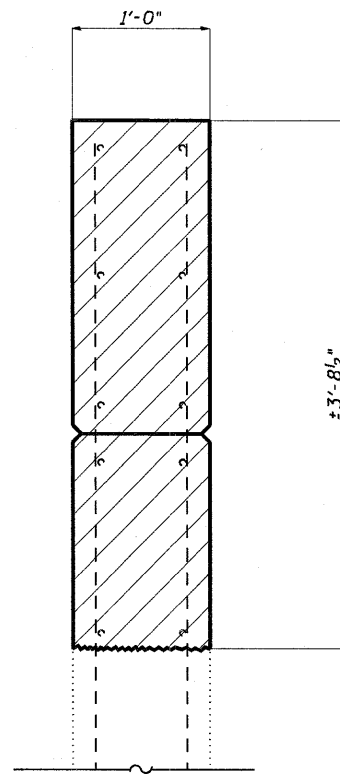
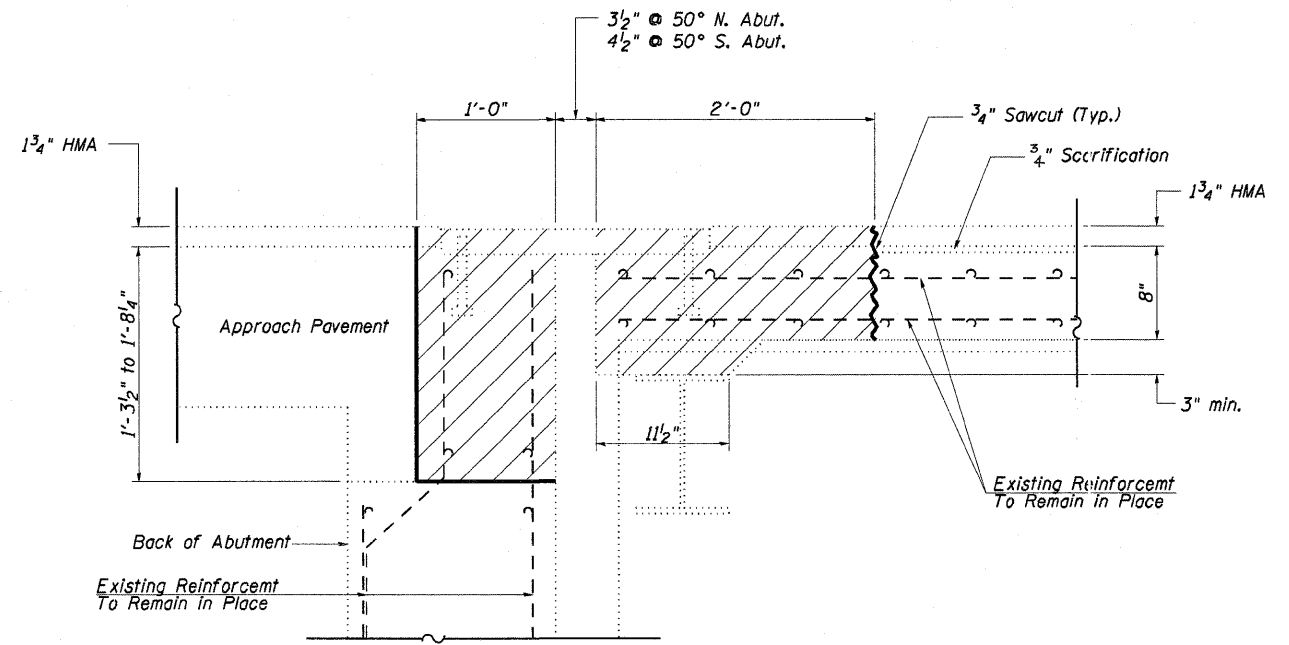


**TYPICAL WINGWALL  
REMOVAL AND REPLACEMENT**

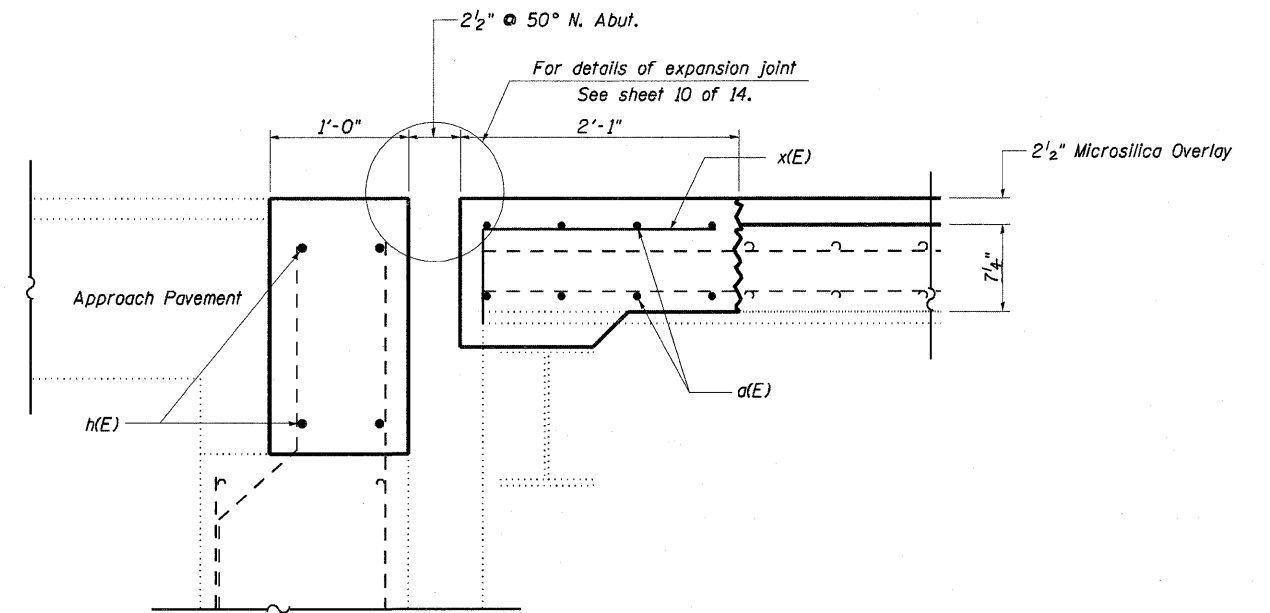


**SECTION THRU PARAPET AT ABUTMENTS**



**SECTION A-A**  
(Dimensions at Rt. L's to end of deck)

○ Existing Reinforcement  
● Proposed Reinforcement



**SECTION B-B**  
(Dimensions at Rt. L's to end of deck)

FILE NAME =	USER NAME = #USER#	DESIGNED -	REVISED -	<b>STATE OF ILLINOIS DEPARTMENT OF TRANSPORTATION</b>	<b>NORTH ABUTMENT EXPANSION JOINT REPLACEMENT DETAILS SN. 087-0023</b>	F.A.P.L. RTE.	SECTION	COUNTY	TOTAL SHEETS	SHEET NO.	
#FILEL#		DRAWN -	REVISED -			.774	11Q2BR/BB-2	Shelby	19	9	
	PLOT SCALE = #SCALE#	CHECKED -	REVISED -			CONTRACT NO. 744B3		ILLINOIS FED. AID PROJECT			
	PLOT DATE = #DATE#	DATE -	REVISED -			SCALE: _____	SHEET NO. 4 OF 14 SHEETS	STA. _____	TO STA. _____		