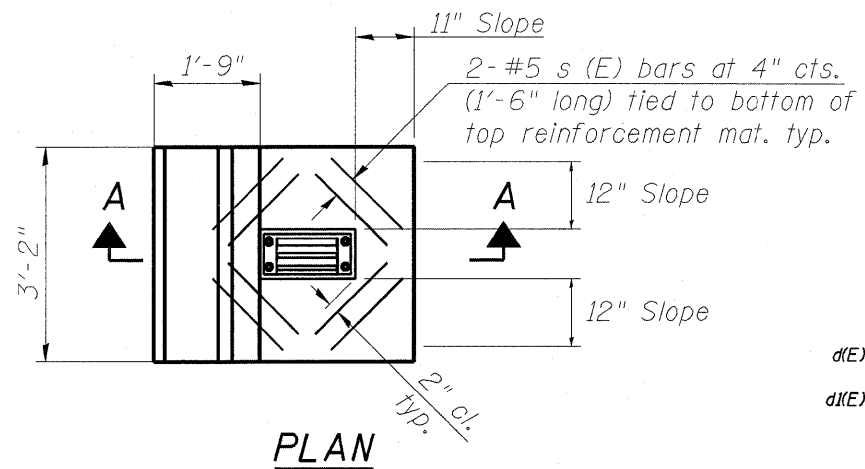


SECTION A-A

Drainage Scupper, (Special)
See sheets 12 of 14 for details

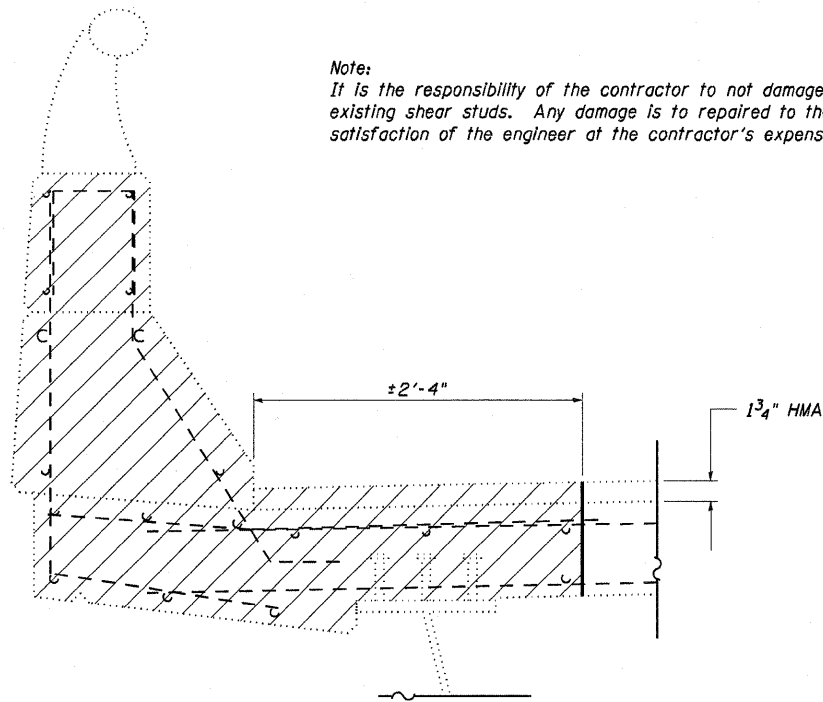


PLAN

Note:
Cut longitudinal reinforcement to clear drainage scuppers.

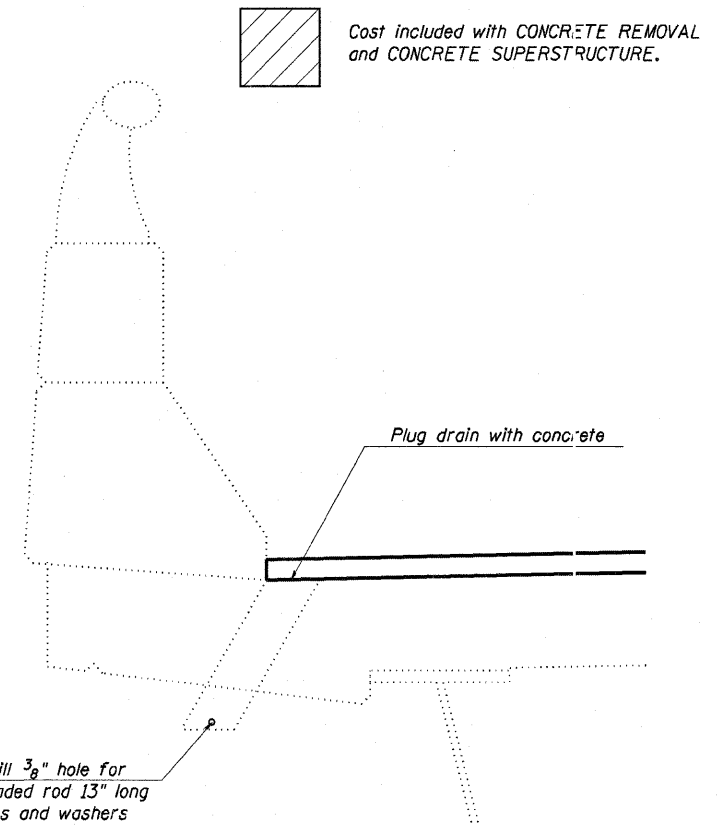
For drainage scupper locations see Sheet 1 of 14.

Note:
It is the responsibility of the contractor to not damage the existing shear studs. Any damage is to be repaired to the satisfaction of the engineer at the contractor's expense.



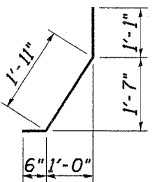
EXISTING SECTION THRU PROPOSED SCUPPER LOCATION

Hatched area indicates concrete removal at proposed scupper location.

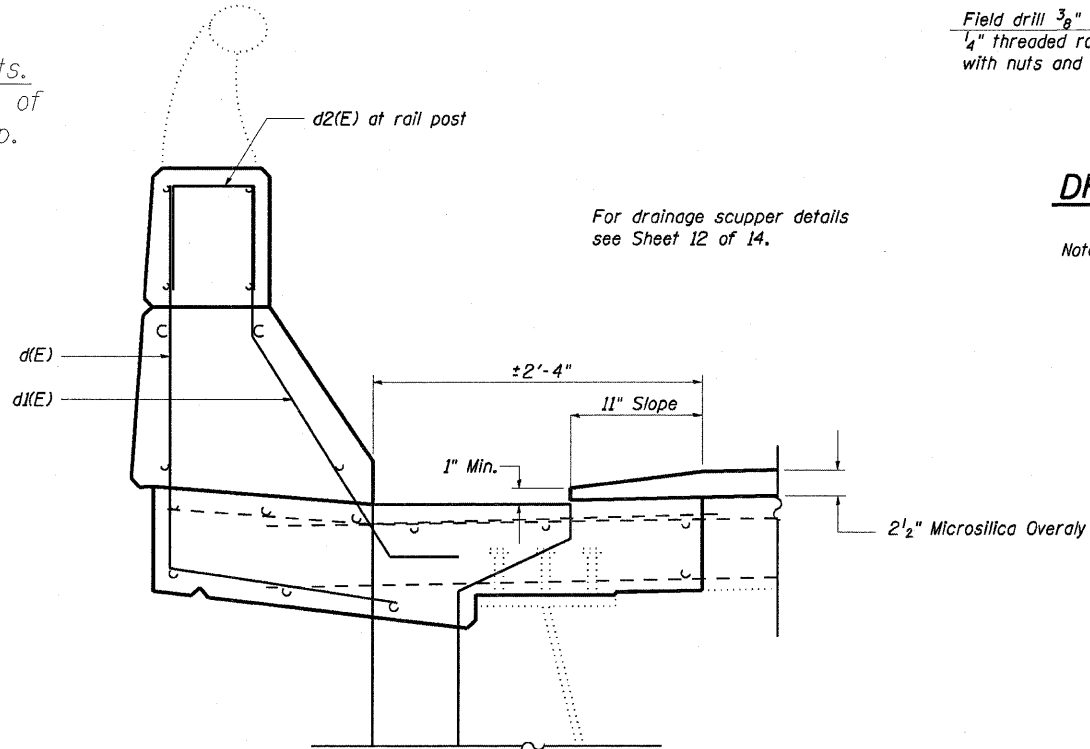


DRAINS TO BE PLUGGED DETAIL

Note: See "Bridge Deck Patching" plan sheets for Plug Existing Deck Drain locations. See "Total Bill of Materials" for structure quantities.



Bar d1(E)



PROPOSED SECTION THRU PROPOSED SCUPPER LOCATION

For drainage scupper details see Sheet 12 of 14.

BILL OF MATERIAL

PER SCUPPER LOCATION

BAR	NUMBER OF BARS	TOTAL	SIZE	LENGTH	SHAPE
d (E)	4	4	#4	4'-5"	J
d1(E)	4	4	#5	3'-6"	J
d2(E)	2	2	#4	2'-1"	□
s (E)	8	8	#5	1'-6"	—
REINFORCEMENT BARS (EPOXY COATED)				FOUND	40
CONCRETE REMOVAL				CU YD	0.7
CONCRETE SUPERSTRUCTURE				CU YD	0.7