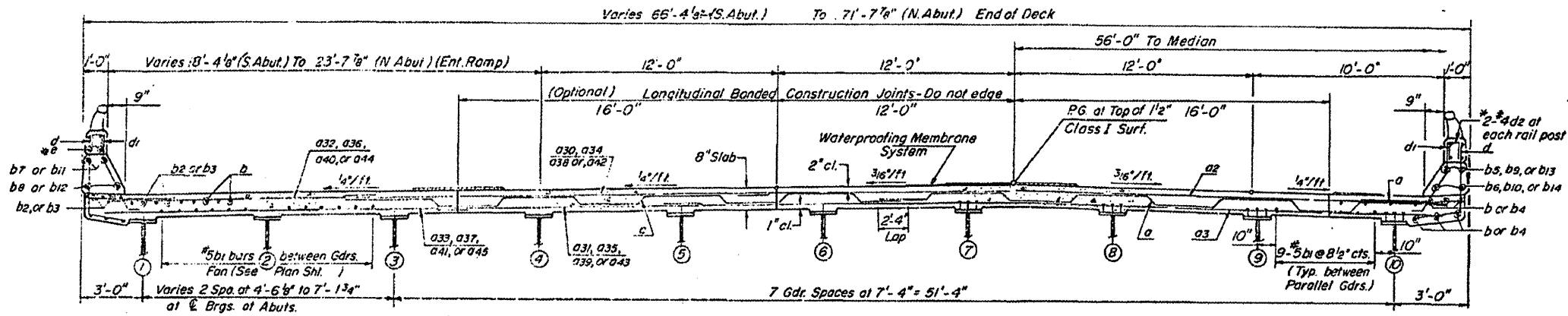
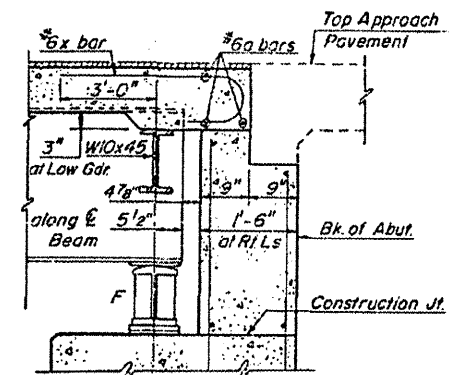


STATE OF ILLINOIS  
DEPARTMENT OF TRANSPORTATION

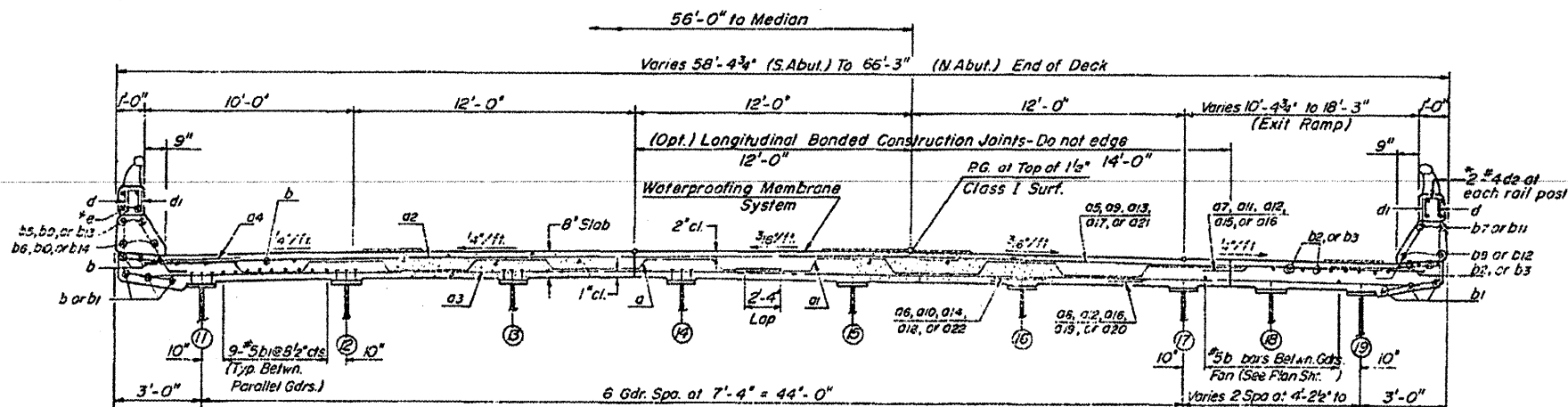
ROUTE NO.	SECTION	COUNTY	SHEET NO.	SHEET NO.
FA-1-72	58-63HVB	MACON	49	26 SHEETS
ILLINOIS	ILLINOIS	ILLINOIS	ILLINOIS	ILLINOIS



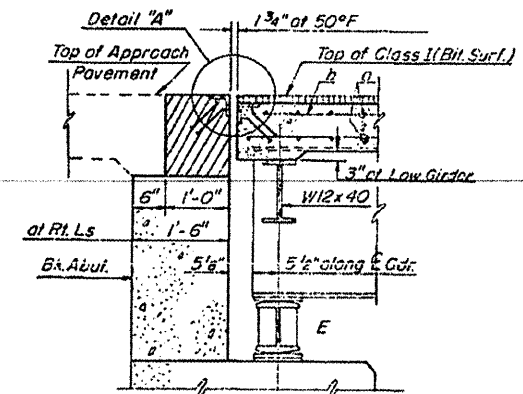
CROSS SECTION (WEST BND. LANES)  
(Looking upstation)



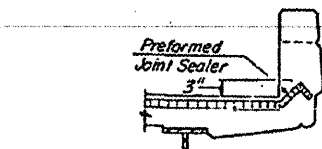
SECTION B-B  
(N. Abuts.)



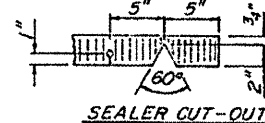
CROSS SECTION (EAST BND. LANES)  
(Looking upstation)



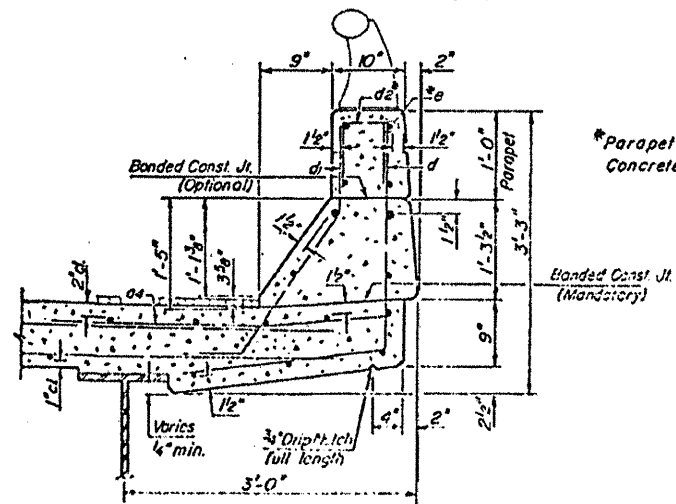
SECTION A-A  
(S. Abuts.)



PREFORMED JT. SEALER  
END TREATMENT

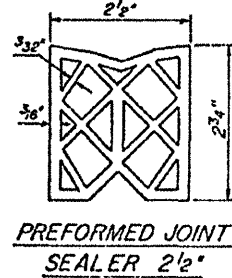


SEALER CUT-OUT

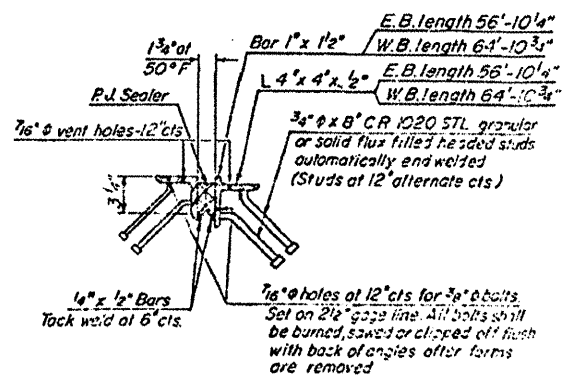


TYPICAL CURB SECTION

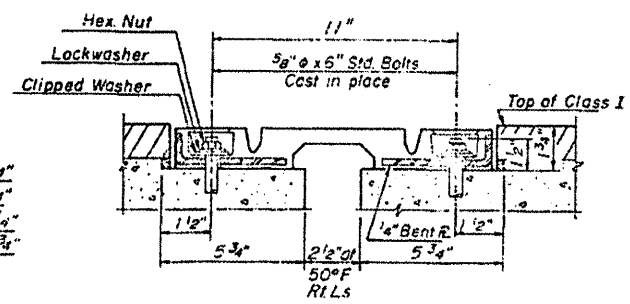
\*Parapet reinforcement and Class X Concrete are billed on Sheet 11.



PREFORMED JOINT  
SEALER 2 1/2"



DETAIL "A"



DETAIL  
NEOPRENE EXP. JT. (2 1/2") at LINK  
(See Sheet 25 for alternate types)

DESIGNED	D.V.K.
CHECKED	G.E.P.
DRAWN	R.H.H.
CHECKED	G.E.P.

SUPERSTRUCTURE DETAILS  
FA-1-72 over ILL. RTE. 121  
& ILL. CENT. GULF R.R.  
MACON COUNTY  
SEC. 58-63HVB  
STA 72+45.63