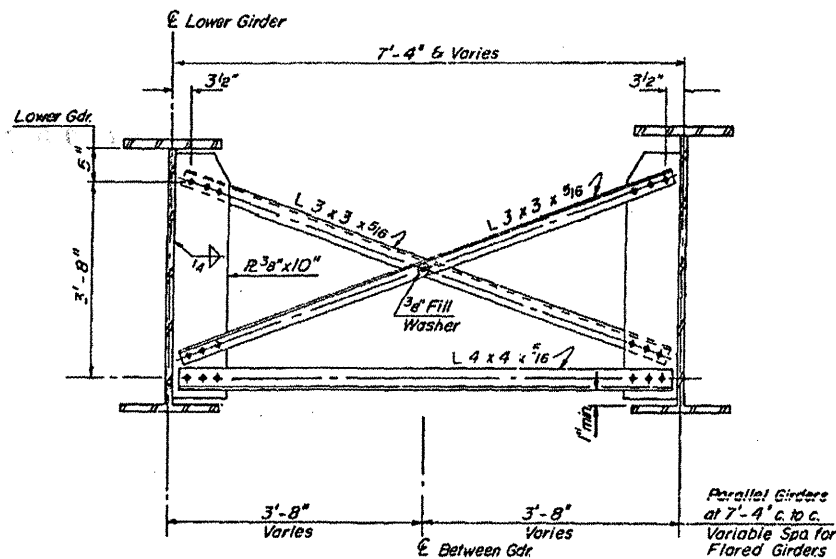


STATE OF ILLINOIS
DEPARTMENT OF TRANSPORTATION

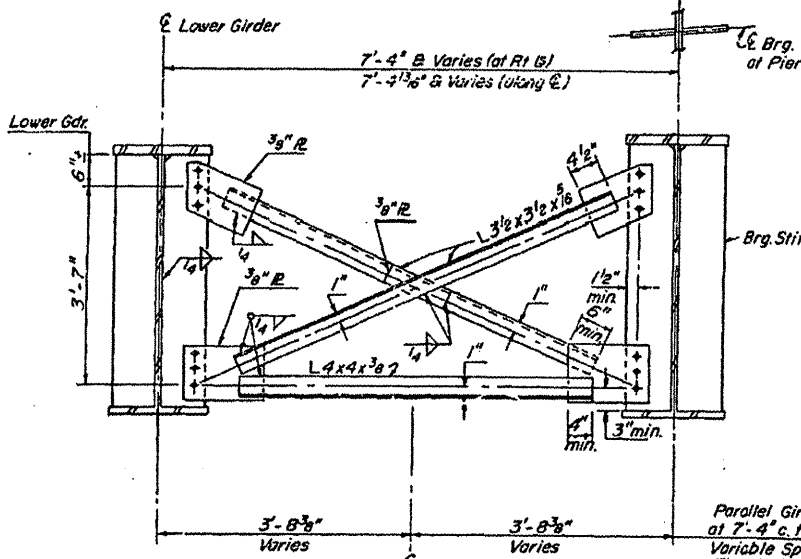
ROUTE NO.	SECTION	COUNTY	TOTAL SHEETS	SHEET NO.	SHEET NO. 15
F.A.I. 72	58-63HVB	MACON	67	54	26 SHEETS
FED. ROAD DIST. NO. 7		KMHOE	FED. AID PROJECT		



CROSS FRAME F

No. Required = 52 ea. for 7'-4" Gdr. Spa.
16 ea. for Flared Gdrs.

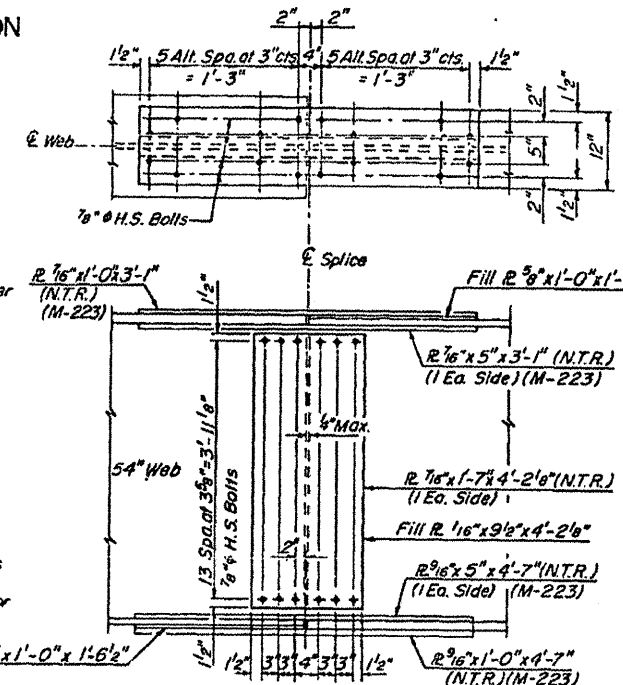
Bolts 3/4" φ
Open Holes 1 1/16" φ
1 1/16" φ holes in gusset R.s for 3/4" φ bolts
Hardened washers shall be required over holes in angles.



CROSS FRAME F1 (Piers)

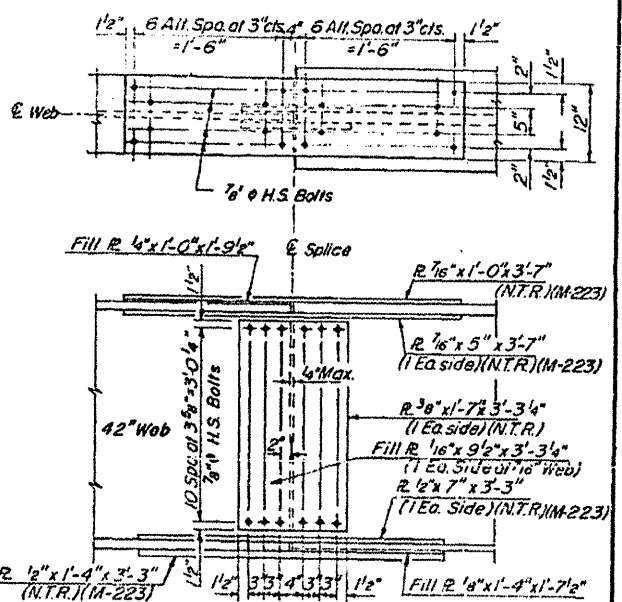
No. Required = 26 ea. for 7'-4" Gdr. Spa.
8 ea. for Flared Gdrs.

Bolts 3/4" φ
Open Holes 1 1/16" φ
1 1/16" φ holes in gusset R.s for 3/4" φ bolts
Hardened washers shall be required over holes in gusset R.s.

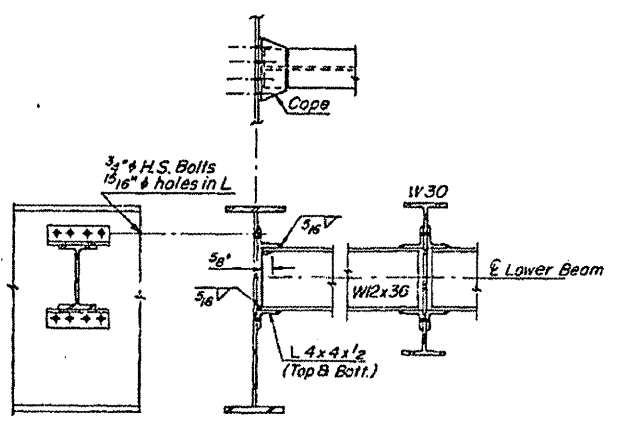


FIELD SPLICE NO. 2

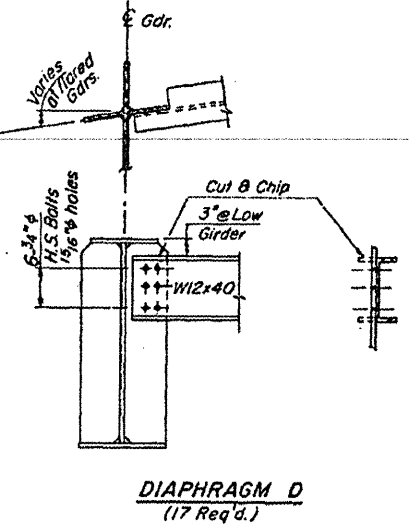
Note: All bolts to be 7/8" φ H.S. Bolts



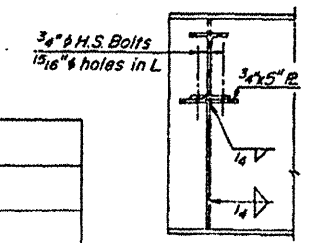
FIELD SPLICE NO. 1



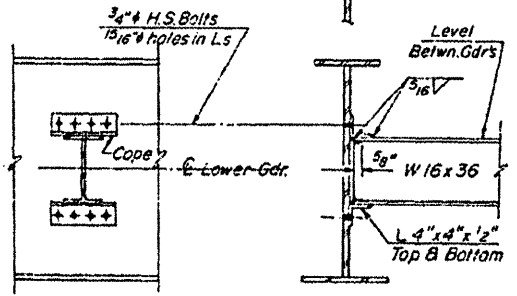
DIAPHRAGM D3
(17 Req'd.)



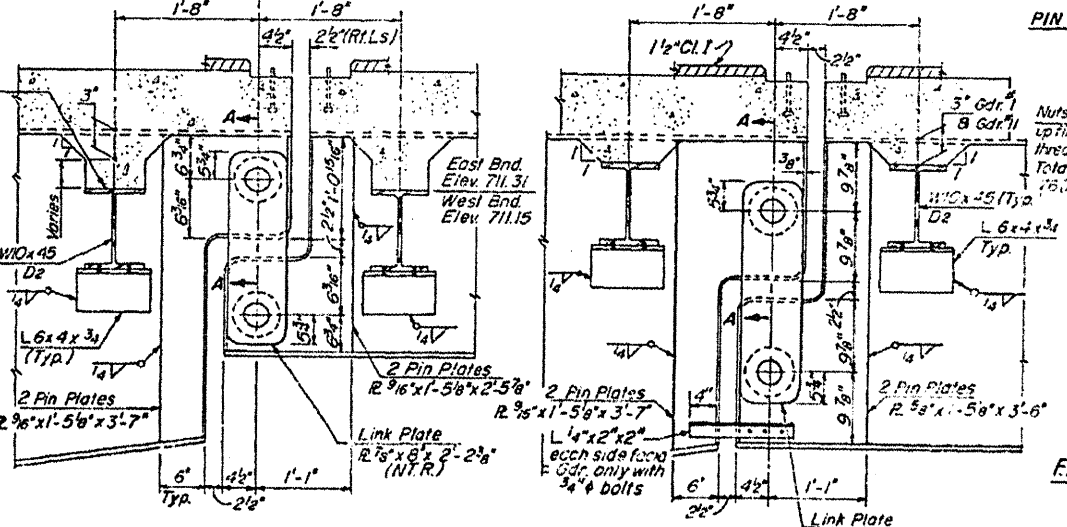
DIAPHRAGM D
(17 Req'd.)



DIAPHRAGM D2 (N. Abuts. & Link Loc.)
(51 Req'd.)

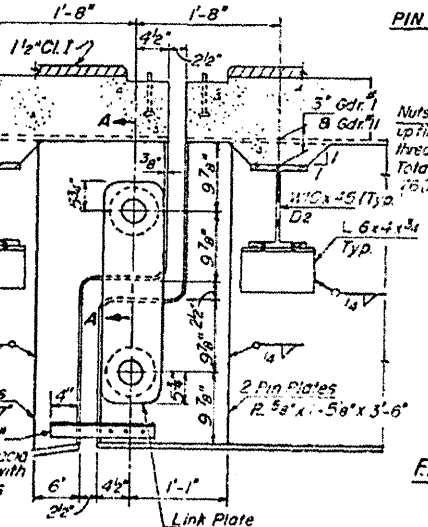


DIAPHRAGM D1
(51 Req'd.)

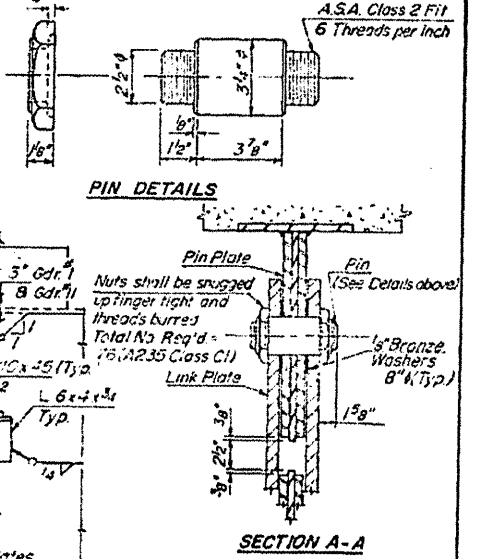


INTERIOR GIRDERS

LINK CONNECTION



EXTERIOR GIRDERS



PIN DETAILS

SECTION A-A

STRUCTURAL STEEL
FAI 72 OVER ILL. RTE. 121
& ILL. CENT. GULF RR.
MACON COUNTY
SEC. 58-63HVB
STA. 724+45.63

DESIGNED	D.V.K.
CHECKED	G.E.P.
DRAWN	J.T.
CHECKED	G.E.P. 3/75