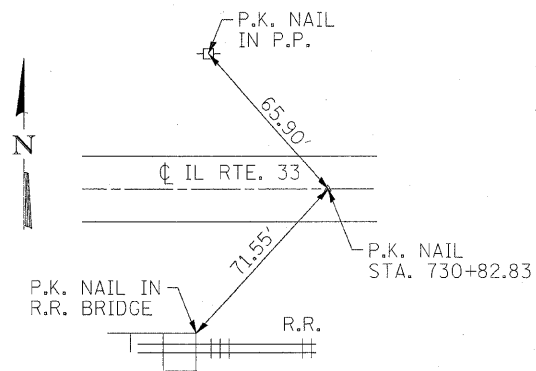
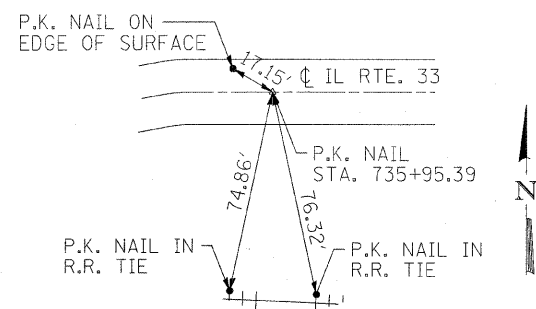


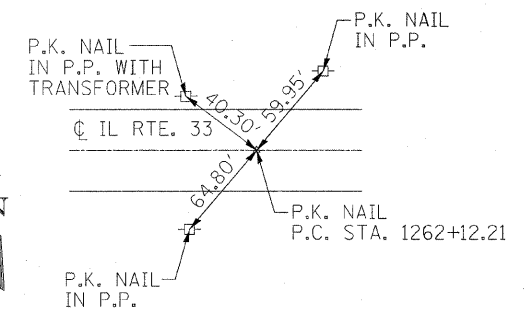
P.T. STA. 2246+91.91



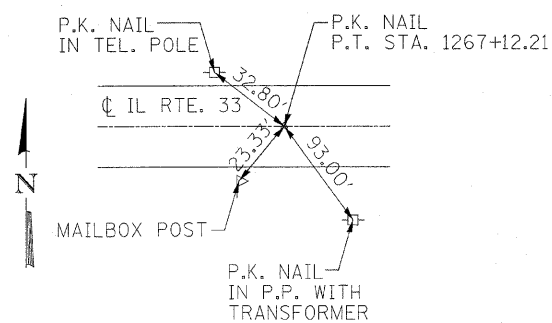
P.C. STA. 730+82.83



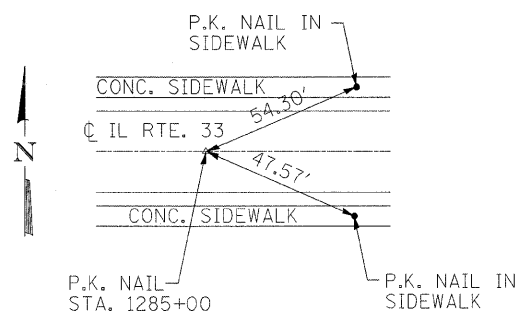
P.T. STA. 735+95.39



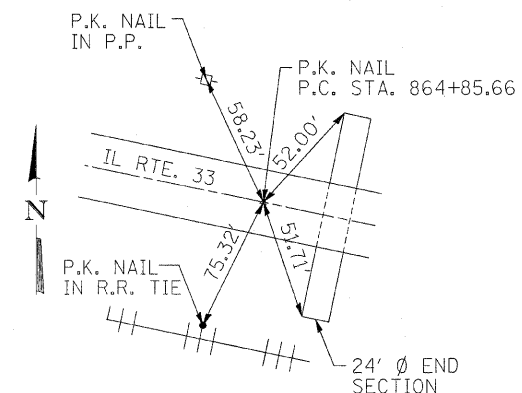
P.C. STA. 1262+12.21



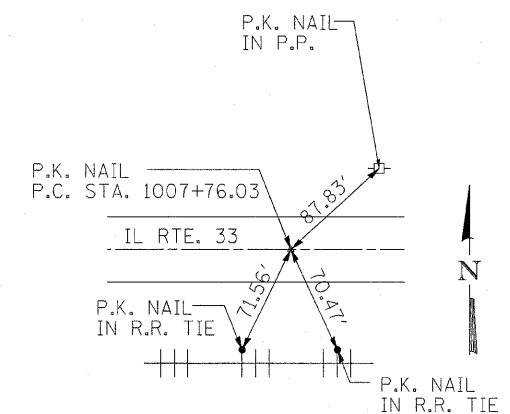
P.T. STA. 1267+12.21



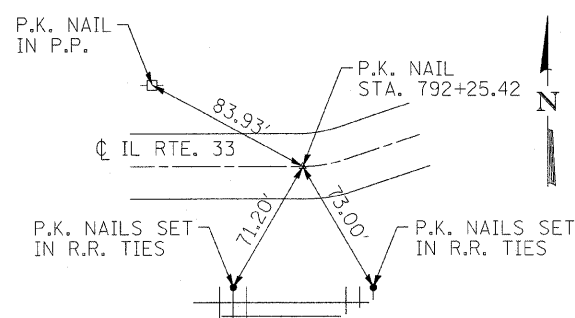
STA. 1285+00



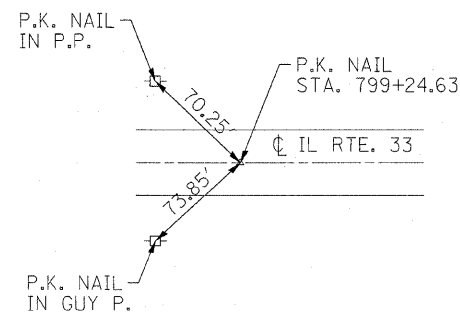
P.C. STA. 864+85.66



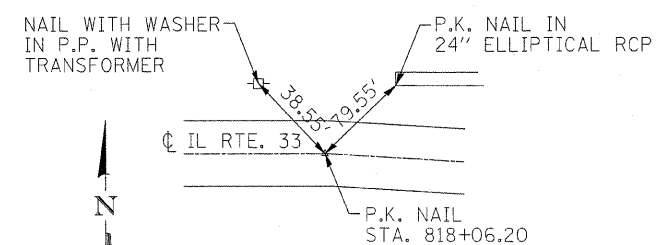
P.C. STA. 1007+76.03



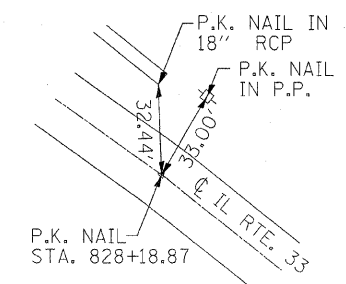
P.C. STA. 792+25.42



P.T. STA. 799+24.63



P.C. STA. 818+06.20



P.T. STA. 828+18.87

FILE NAME = c:\pw_work\p\dot\swartzr\0241830\d77-506-sh1-ties.dgn
 USER NAME = swartzr
 PLOT SCALE = 50.0000' / IN.
 PLOT DATE = 12/10/2010

DESIGNED -
 DRAWN -
 CHECKED -
 DATE -
 REVISED -
 REVISED -
 REVISED -
 REVISED -

**STATE OF ILLINOIS
 DEPARTMENT OF TRANSPORTATION**

TIE POINTS

SCALE: NA SHEET NO. 2 OF 3 SHEETS STA. TO STA.

F.A.P. RTE.	SECTION	COUNTY	TOTAL SHEETS	SHEET NO.
95	(5,6)RS-2A	JASPER	19	7
CONTRACT NO. 74506				
ILLINOIS FED. AID PROJECT				