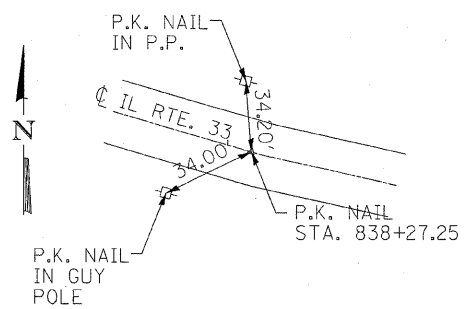
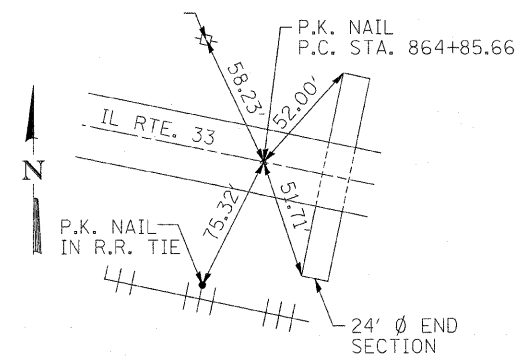


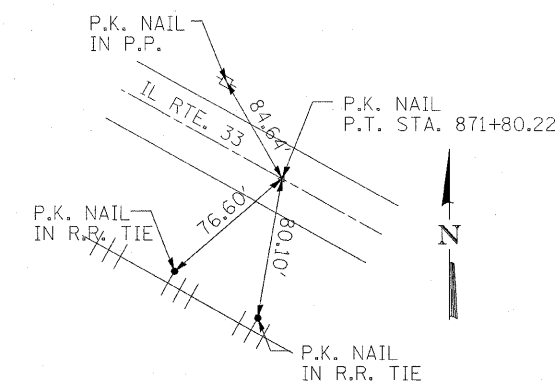
P.C. STA. 830+59.57



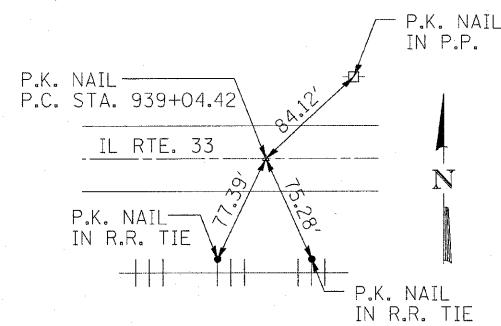
P.T. STA. 838+27.25



P.C. STA. 864+85.66



P.T. STA. 871+80.22



P.C. STA. 939+04.42

FILE NAME = c:\pwork\pwork\swartzw\d0241030\d77	USER NAME = swartzw	DESIGNED -	REVISED -	STATE OF ILLINOIS DEPARTMENT OF TRANSPORTATION	TIE POINTS			F.A.P. RTE.	SECTION	COUNTY	TOTAL SHEETS	SHEET NO.
	505-sht-ties.dgn	DRAWN -	REVISED -		95	(5,6)RS-2A	JASPER	19	8			
PLOT SCALE = 50.0000' / IN.	CHECKED -	REVISED -	REVISED -		SCALE: NA	SHEET NO. 3 OF 3 SHEETS	STA.	TO STA.	CONTRACT NO. 74506			
PLOT DATE = 12/10/2010	DATE -	REVISED -	REVISED -		ILLINOIS FED. AID PROJECT							