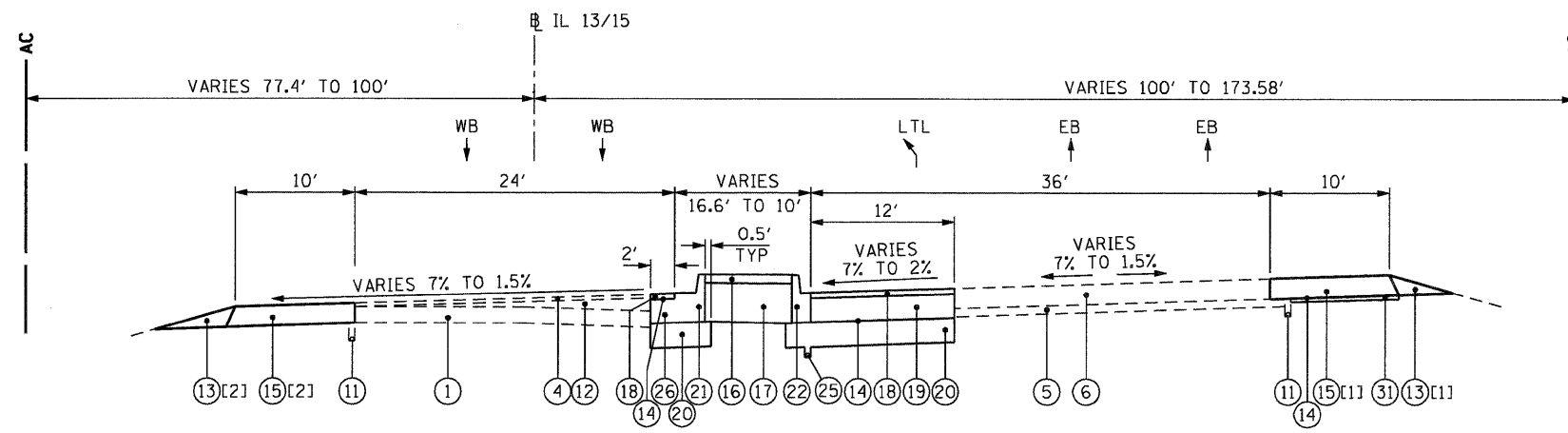
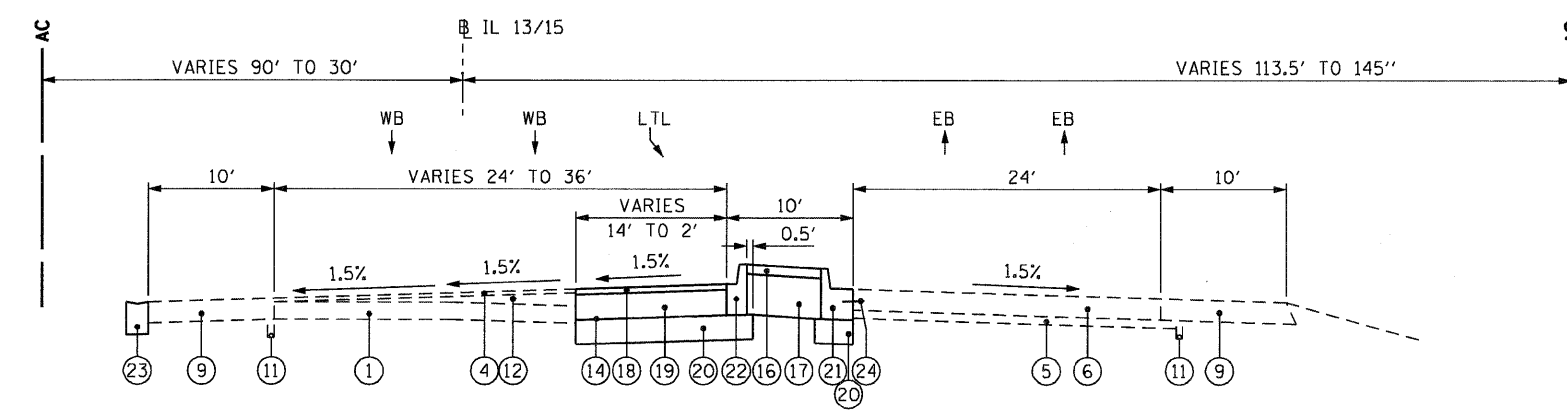


IL 13/15
STA 133+85 TO STA 135+00



IL 13/15
STA 135+00 TO STA 139+22
[1] STA 136+94.4 TO STA 137+90.2 [2] STA 138+91.2 TO STA 139+23.2
STA 139+02.1 TO STA 139+31.9 STA 140+50.3 TO STA 140+86.6
STA 140+40.7 TO STA 140+63.9



IL 13/15
STA 140+59 TO STA 145+30
STA 139+22 TO 140+59 - MEDIAN OPENING

PROPOSED TYPICAL SECTIONS

- ① EX PAVEMENT (TYPE UNKNOWN)
- ② EX PCC BASE COURSE, 9"
- ③ EX CORRUGATED MEDIAN
- ④ EX HMA SURFACE COURSE, 1"
- ⑤ EX STABILIZED SUB-BASE, 4"
- ⑥ EX PCC PAVEMENT, 10"
- ⑦ EX CURB & GUTTER, TYPE B-9.24
- ⑧ EX CONCRETE MEDIAN SURFACE, TYPE P, 4"
- ⑨ EX HMA SHOULDER, 10"
- ⑩ EX GUTTER, TYPE B
- ⑪ EX PIPE UNDERDRAIN, 4"
- ⑫ EX LEVELING BINDER
- ⑬ PR AGGREGATE WEDGE SHOULDER, TYPE B
- ⑭ BITUMINOUS MATERIALS (PRIME COAT)
- ⑮ PR HMA SHOULDER, 10"
- ⑯ PR CONCRETE MEDIAN SURFACE, 4"
- ⑰ PR COARSE AGGREGATE FILL - INCLUDED IN COST OF MEDIAN SURFACE
- ⑱ PR POLYMERIZED HMA SURFACE COURSE, MIX "D", N70, 2"
- ⑲ PR HMA BASE COURSE WIDENING, 12"
- ⑳ PR SUB-BASE GRANULAR MATERIAL, TYPE A, 12"
- ㉑ PR CURB & GUTTER, B-6.24
- ㉒ PR CURB & GUTTER, B-6.12
- ㉓ PR CONCRETE GUTTER, TYPE B

⑳ NO. 6 X 24" EPOXY COATED DEFORMED TIE BARS DRILLED AND GROUTED IN PLACE AT 24" C-C SPACING PER STANDARD 606001. COST INCLUDED IN CURB AND GUTTER.

- ㉔ PR PIPE UNDERDRAINS 4"
- ㉕ PR PCC BASE COURSE WIDENING 12" (CONSTRUCTED MONOLITHICALLY WITH CURB & GUTTER)
- ㉖ PR HMA PAVEMENT (FULL-DEPTH), 10"
- ⑳ SURFACE HMA SURFACE COURSE, MIX "C", N70, 2"
- ㉗ BINDER HMA BINDER COURSE, IL 19.0 N70, 8"
- ㉘ EMBANKMENT AS REQUIRED (SEE CROSS SECTIONS)
- ㉙ SEEDING CLASS 2A WITH EROSION CONTROL BLANKET
- ㉚ COMPACTED CA-6. QUANTITY INCLUDED IN EMBANKMENT END AREAS PER EARTHWORK SCHEDULE. COST SHALL BE INCLUDED IN EARTH EXCAVATION.
- ㉛ SUB-BASE GRANULAR MATERIAL, TYPE C, VARIES

FILE NAME = 0876015-sh1-typical2.dgn	USER NAME = dwoznarski	DESIGNED -	REVISED -	STATE OF ILLINOIS DEPARTMENT OF TRANSPORTATION	PROPOSED TYPICAL SECTIONS			F.A.P. RTE. 103	SECTION 27-1-N	COUNTY ST. CLAIR	TOTAL SHEETS 50	SHEET NO. 5
PLOT SCALE = 15.00' / IN.	DRAWN - DMW	CHECKED -	REVISED -		SCALE: 1" = 10'	SHEET NO. 2 OF 3 SHEETS	STA. 133+00 TO STA. 146+00	CONTRACT NO. 76015				
PLOT DATE = 9/14/2010	DATE - 7/9/2010	REVISED -	REVISED -		FED. ROAD DIST. NO. ILLINOIS FED. AID PROJECT							