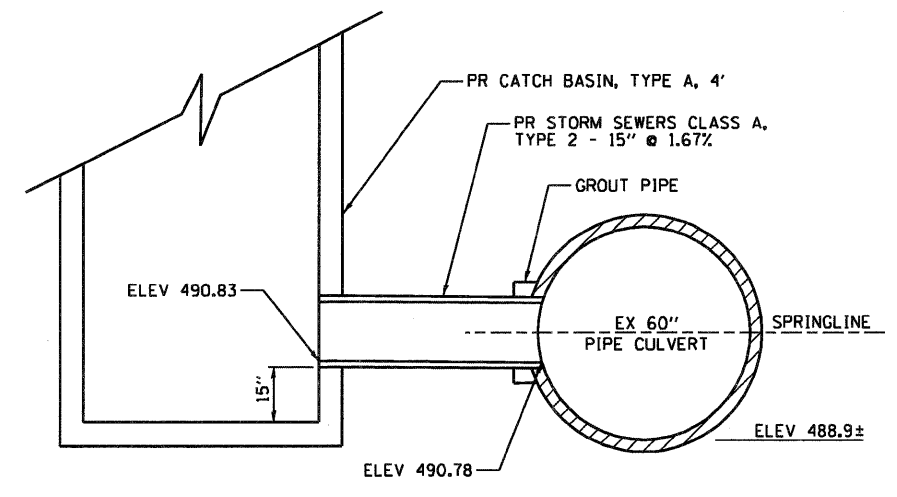


PLAN

A-A

1. A PRECAST OPENING IN BOX CULVERT IS REQUIRED. FIELD CUTTING OF BOX CULVERT IS NOT ALLOWED. CONTRACTOR SHALL FURNISH SHOP DRAWINGS FROM THE PRECAST CONCRETE BOX CULVERT MANUFACTURER DETAILING ALL REINFORCING AND TIE BARS AT OPENING.
2. INLETS, TYPE A, SPECIAL SHALL MEET ALL REQUIREMENTS OF STANDARD 602301 WITH THE EXCEPTION THAT THERE IS NO BOTTOM SLAB.

BOX CULVERT CONNECTION DETAIL
NTS



THE CONNECTION TO THE EXISTING CULVERT WILL BE INCLUDED IN THE UNIT PRICE FOR THE PROPOSED PIPE INSTALLED. THE UNIT PRICE SHALL INCLUDE CORE DRILLING THE EXISTING CULVERT WALL, GROUTING THE PROPOSED PIPE IN PLACE AND ALL OTHER RELATED WORK AS DETAILED HEREIN.

STA 136+92.7, 22.76' RT
EXISTING CULVERT CONNECTION DETAIL
NTS

FILE NAME = 0876015-sht-details2.dgn	USER NAME = dwoznarski	DESIGNED - DRAWN - DMW	REVISED - REVISED - REVISED - REVISED -	STATE OF ILLINOIS DEPARTMENT OF TRANSPORTATION	MISCELLANEOUS DETAILS				F.A.P. RTE. 103	SECTION 27-1-N	COUNTY ST. CLAIR	TOTAL SHEETS 50	SHEET NO. 41
					SCALE: NA	SHEET NO. 2 OF 2 SHEETS	STA.	TO STA.	CONTRACT NO. 76015				
					FED. ROAD DIST. NO. ILLINOIS FED. AID PROJECT								