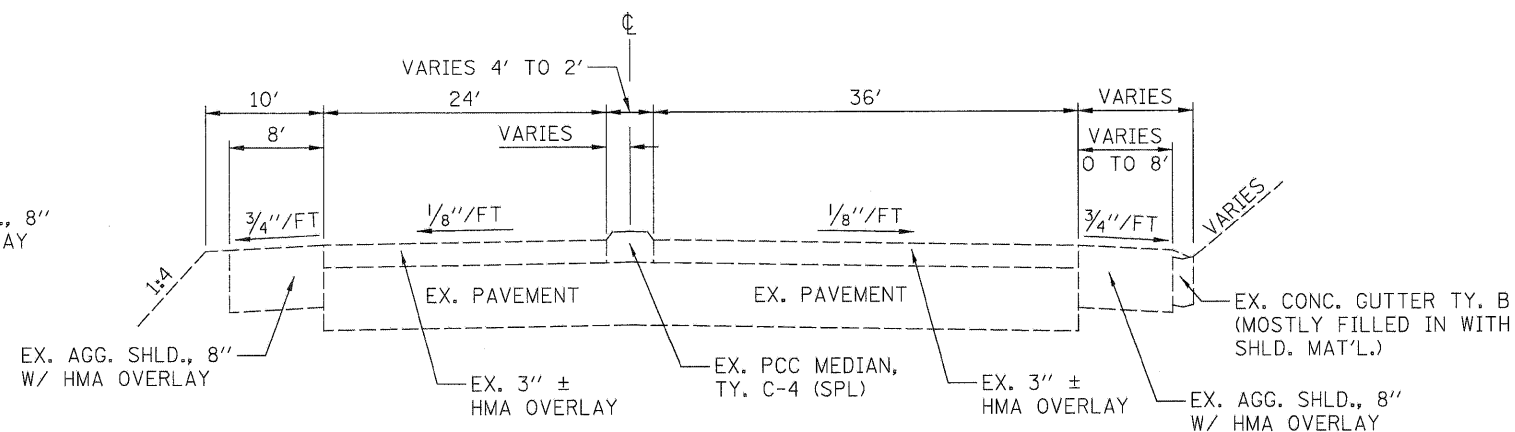


**EXISTING TYPICAL SECTION**

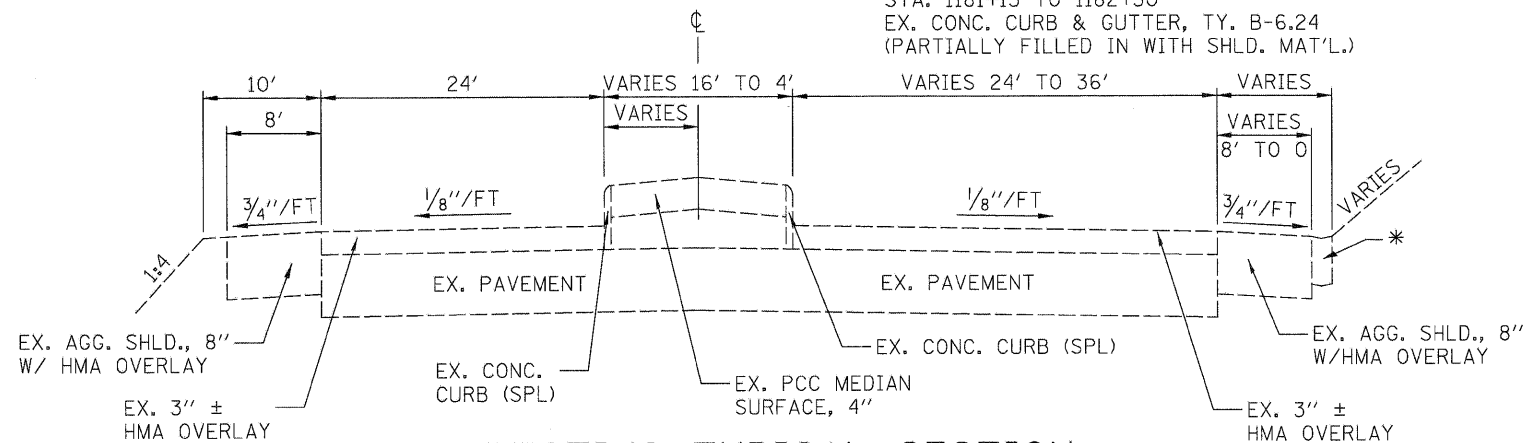
STA. 1173+62 TO STA. 1177+00



**EXISTING TYPICAL SECTION**

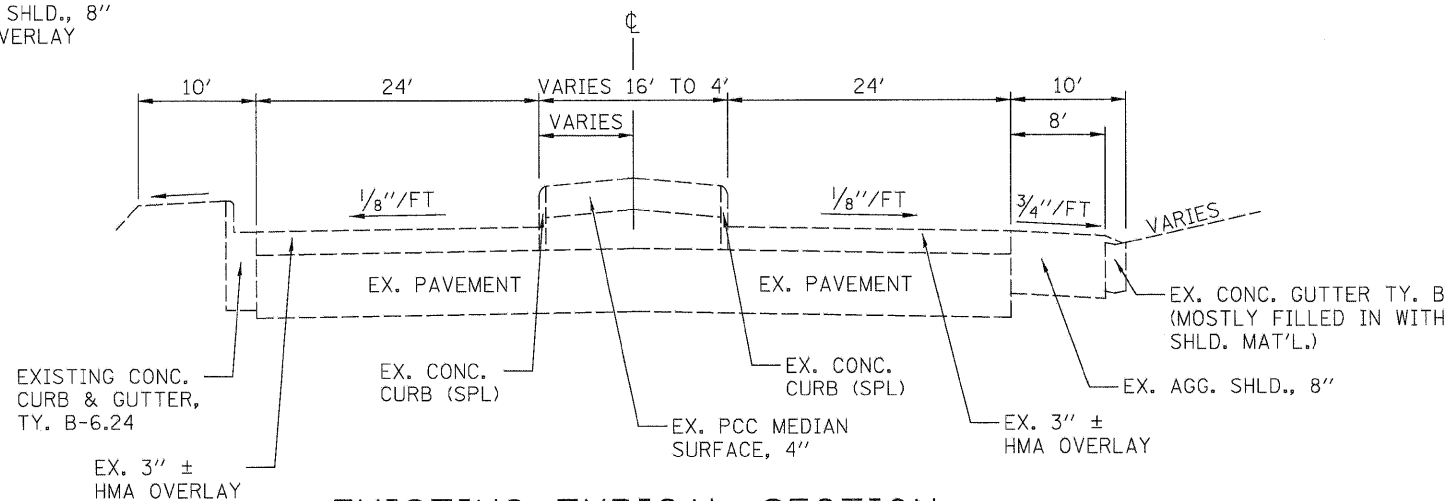
STA. 1182+50 TO STA. 1185+40

\*STA. 1177+00± TO STA. 1181+15  
 EX. CONC. GUTTER, TY. A  
 STA. 1181+15 TO 1182+50  
 EX. CONC. CURB & GUTTER, TY. B-6.24  
 (PARTIALLY FILLED IN WITH SHLD. MAT'L.)



**EXISTING TYPICAL SECTION**

STA. 1177+00 TO STA. 1182+50



**EXISTING TYPICAL SECTION**

STA. 1185+40 TO STA. 1189+65