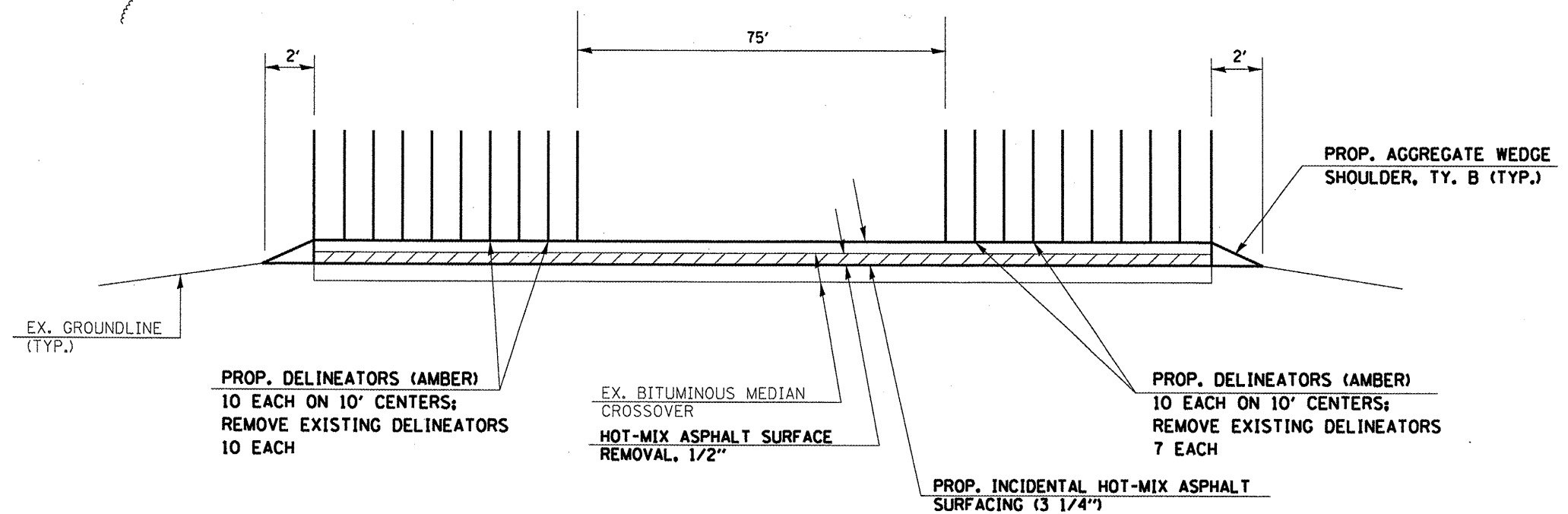
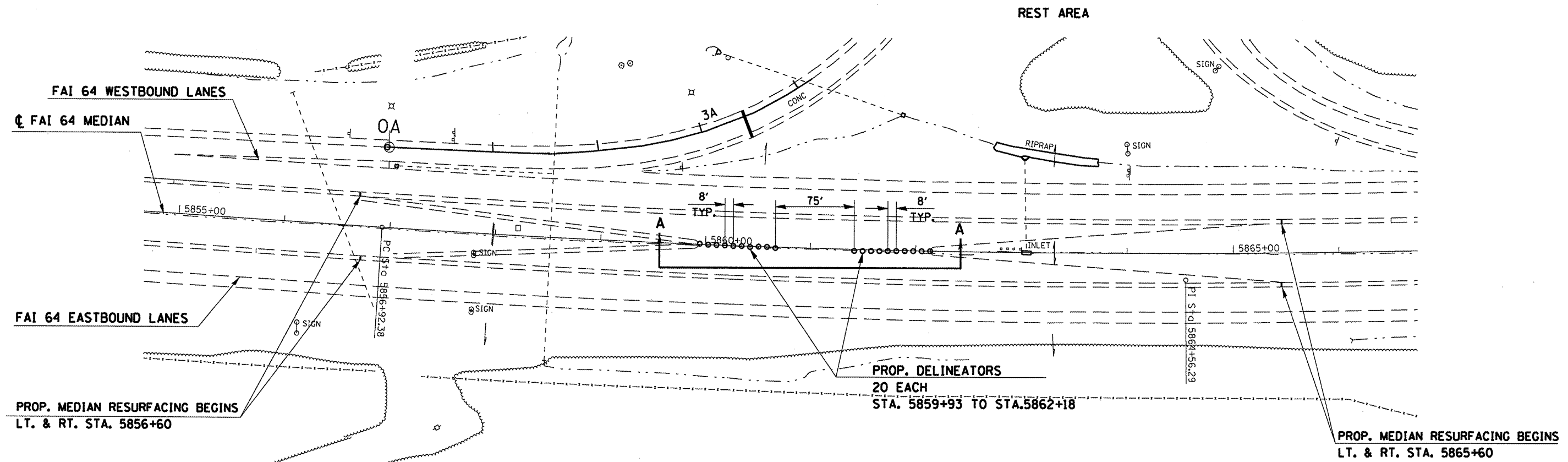


**EXISTING MEDIAN CROSSOVER
RESURFACING DETAIL**



**SECTION A - A
CROSSSECTION OF
MEDIAN CROSSOVER DETAIL**

FILE NAME =
c:\pwwork\pwwork\mcaordkr\d0186975.sht

USER NAME = mcaordkr
plan.dgn
PLOT SCALE = 100.0000' / IN.
PLOT DATE = 11/3/2010

DESIGNED -	REVISED -
DRAWN -	REVISED -
CHECKED -	REVISED -
DATE -	REVISED -

**STATE OF ILLINOIS
DEPARTMENT OF TRANSPORTATION**

**DETAIL OF MEDIAN
CROSSOVER RESURFACING**

SCALE: SHEET NO. OF SHEETS STA. TO STA.

F.A.I. RTE.	SECTION	COUNTY	TOTAL SHEETS	SHEET NO.
64	197-21RS-2	WHITE	34	30
CONTRACT NO. 78211				
ILLINOIS FED. AID PROJECT				