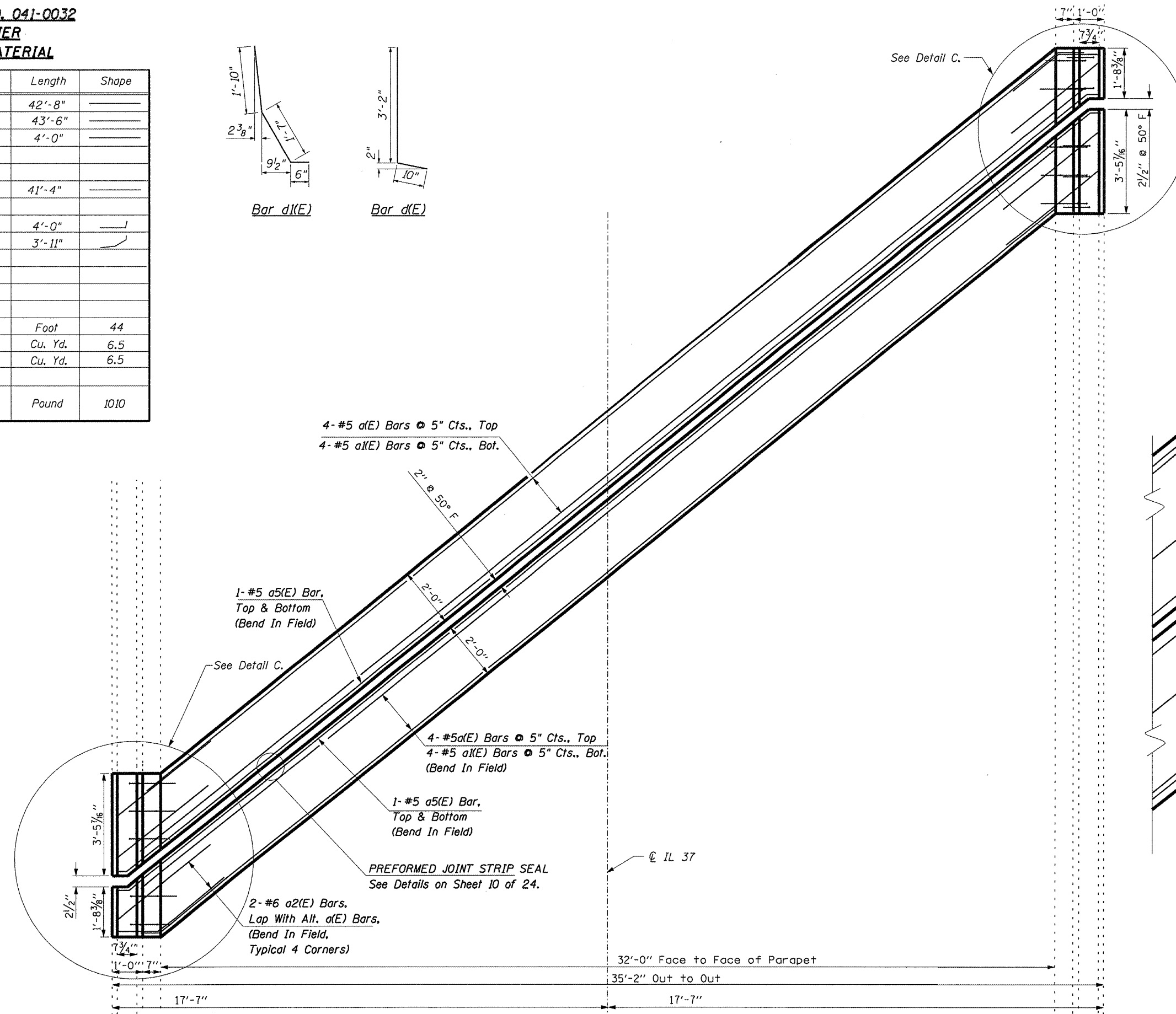
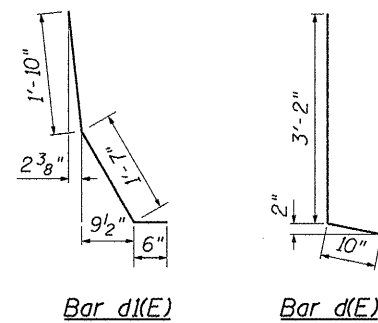


STRUCTURE NO. 041-0032

ONE PIER

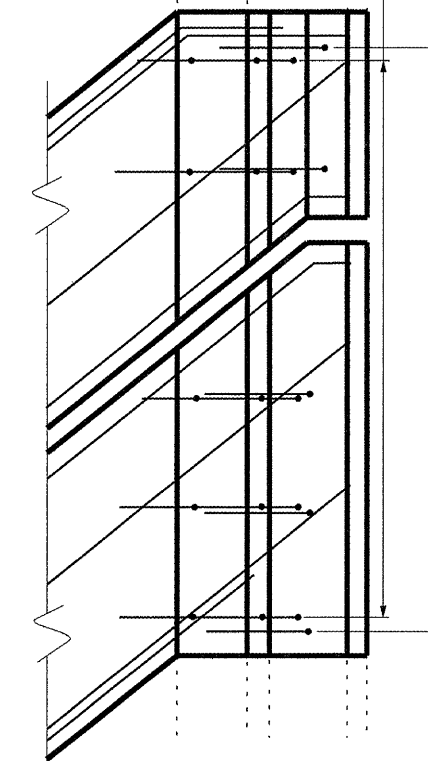
BILL OF MATERIAL

Bar	No.	Size	Length	Shape
a(E)	8	#5	42'-8"	
a1(E)	8	#5	43'-6"	
a2(E)	8	#6	4'-0"	
a5(E)	4	#5	41'-4"	
d(E)	10	#4	4'-0"	
d1(E)	10	#5	3'-11"	
Preformed Joint Strip Seal		Foot	44	
Concrete Removal		Cu. Yd.	6.5	
Concrete Superstructure		Cu. Yd.	6.5	
Reinforcement Bars, Epoxy Coated		Pound	1010	



See Detail C.

5-#5 d1(E) @ 11" Cts.,
I.F., (Typical Each Parapet)
(Trim to Fit)



5-#4 d(E) Bars @ 12" Cts. O.F.,
(Typical Each Parapet)
(Trim to Fit)

DETAIL C

PLAN

FILE NAME =	USER NAME = gautneyrk	DESIGNED - RWC	REVISED -
ci:\pw\work\p\dot\gautneyrk\d0190470\782	12-sht\plandgn	DRAWN -	REVISED -
PLOT SCALE = 3/8" 9/16" 1" / IN.	CHECKED -	REVISED -	REVISED -
PLOT DATE = 12/22/2010	DATE -	REVISED -	REVISED -

STATE OF ILLINOIS
DEPARTMENT OF TRANSPORTATION

CONCRETE REPLACEMENT PIERS 3 & 5
STRUCTURE NO. 041-0032

RTE.	SECTION	COUNTY	TOTAL SHEETS	SHEET NO.
• 09	CM BRIDGE REPAIR 2011-2	JEFFERSON	24	7
• F.A.S. 2869 & F.A.I. 57		CONTRACT NO. 78233		

SCALE: _____ SHEET NO. ___ OF ___ SHEETS STA. _____ TO STA. _____