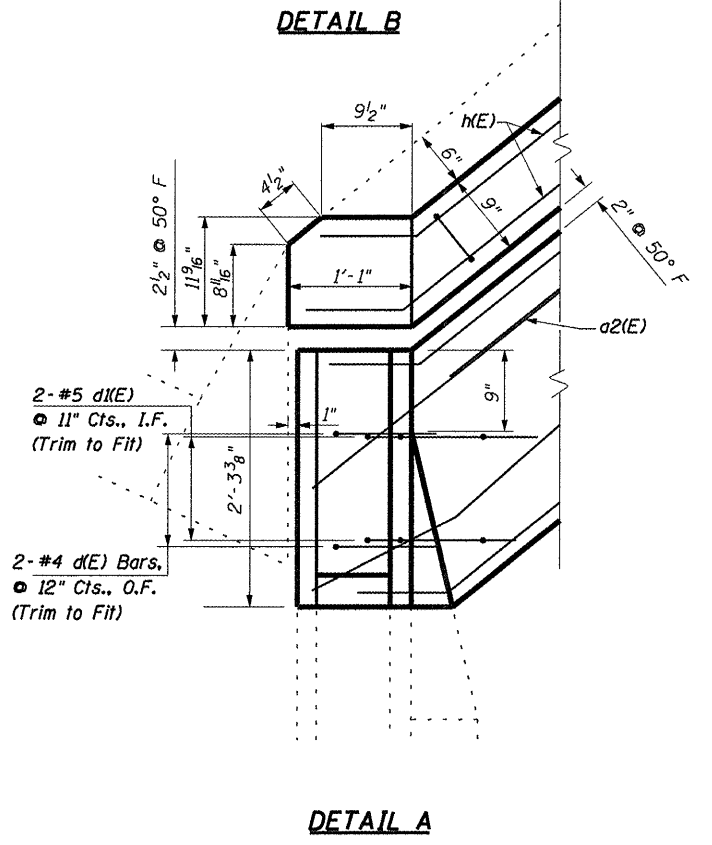
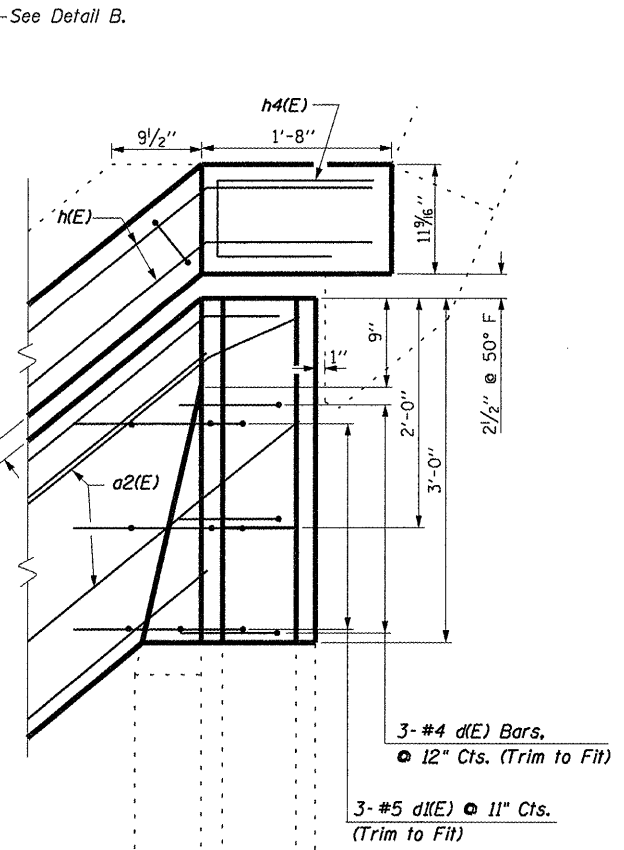
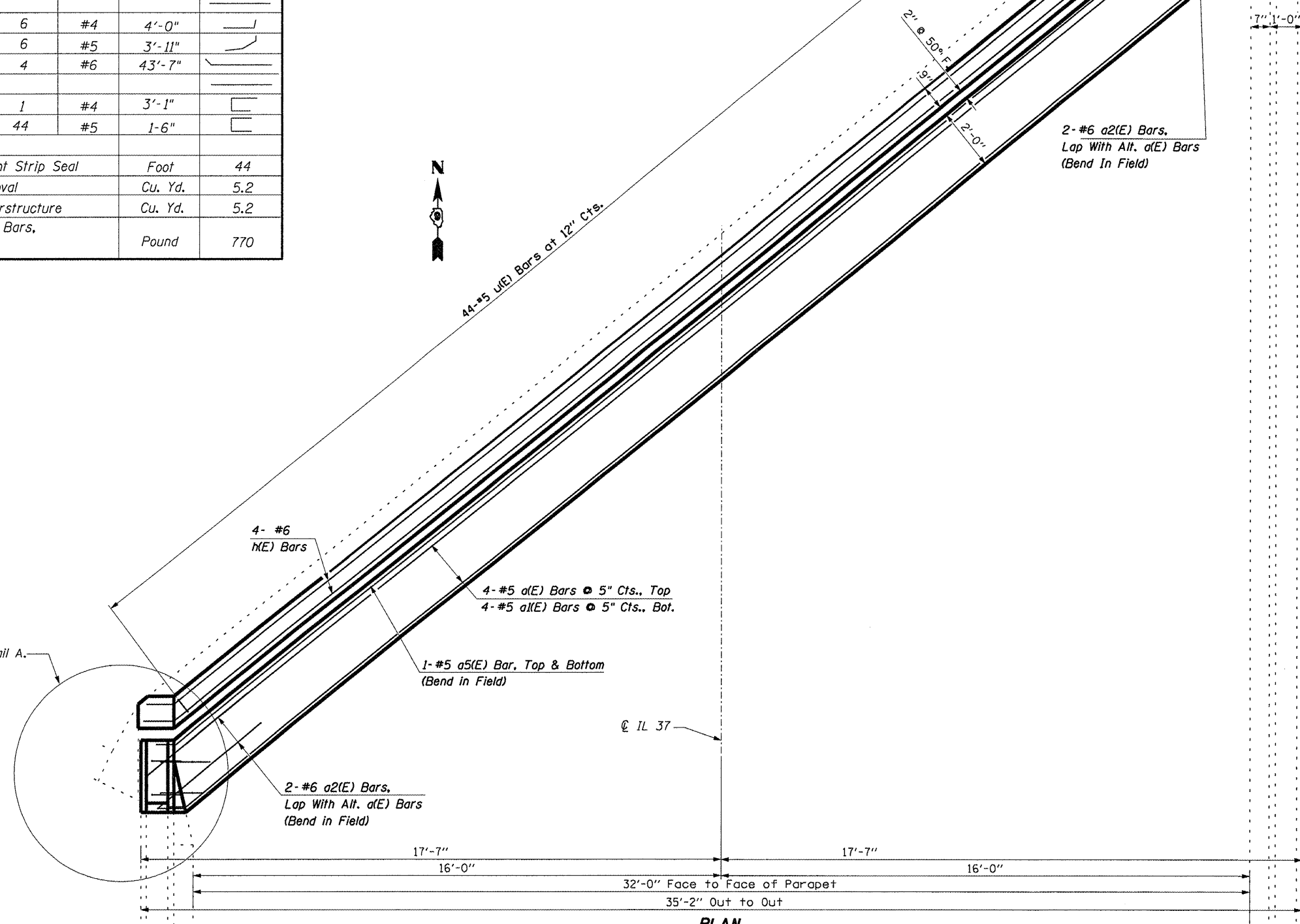
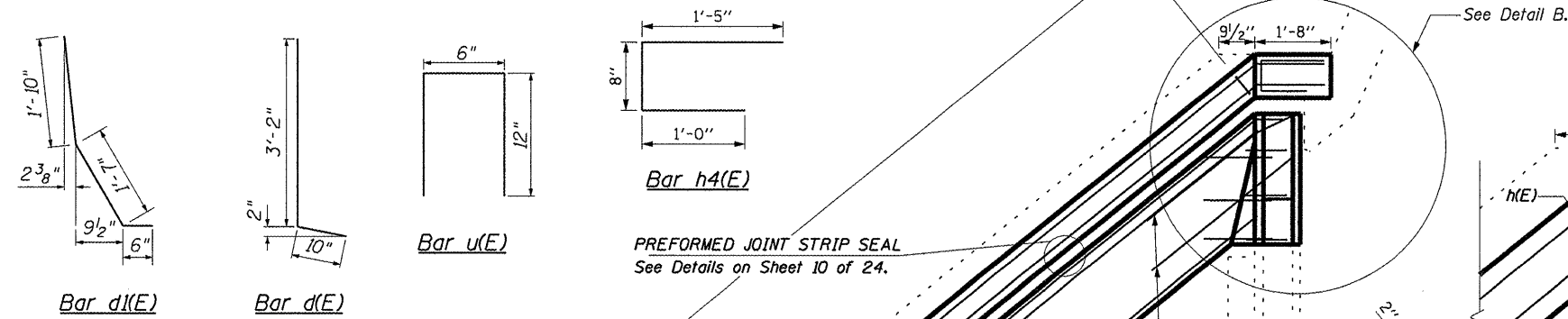


**STRUCTURE NO. 041-0032**

**ONE ABUTMENT  
BILL OF MATERIAL**

Bar	No.	Size	Length	Shape
a(E)	4	#5	42'-8"	
a1(E)	4	#5	43'-6"	
a2(E)	4	#6	4'-0"	
a5(E)	2	#5	41'-4"	
d(E)	6	#4	4'-0"	
d1(E)	6	#5	3'-11"	
h(E)	4	#6	43'-7"	
h4(E)	1	#4	3'-1"	
u(E)	44	#5	1'-6"	
Preformed Joint Strip Seal	Foot		44	
Concrete Removal	Cu. Yd.		5.2	
Concrete Superstructure	Cu. Yd.		5.2	
Reinforcement Bars, Epoxy Coated	Pound		770	



**PLAN  
NORTH ABUTMENT  
SOUTH ABUTMENT SIMILAR**