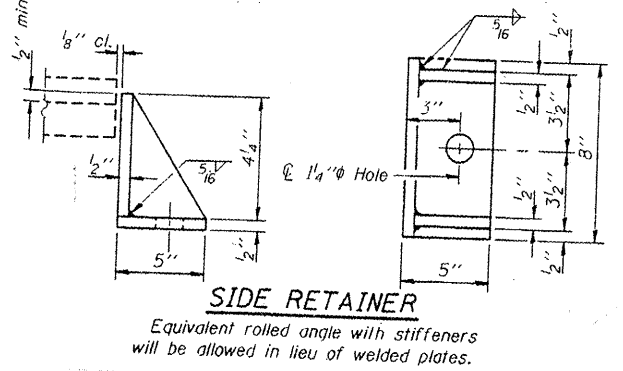
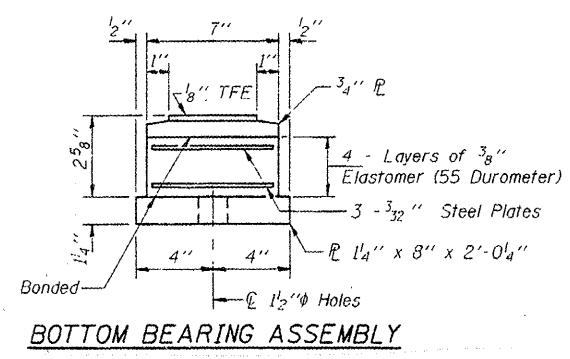
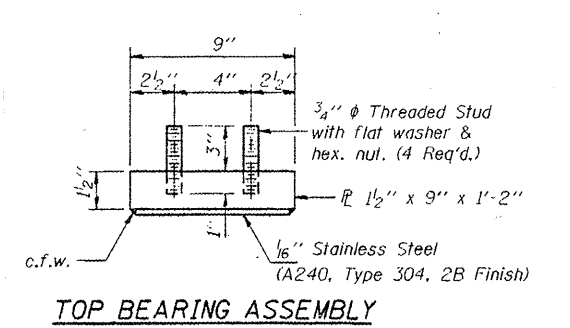
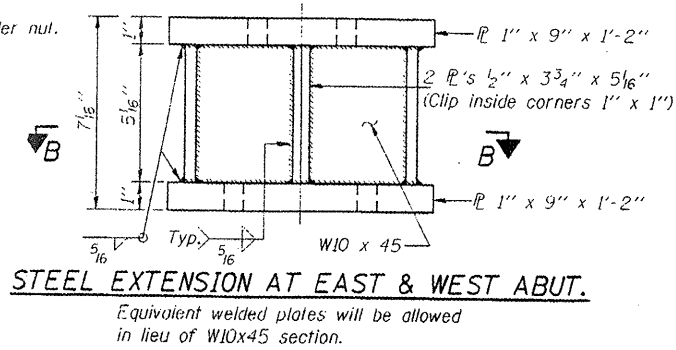
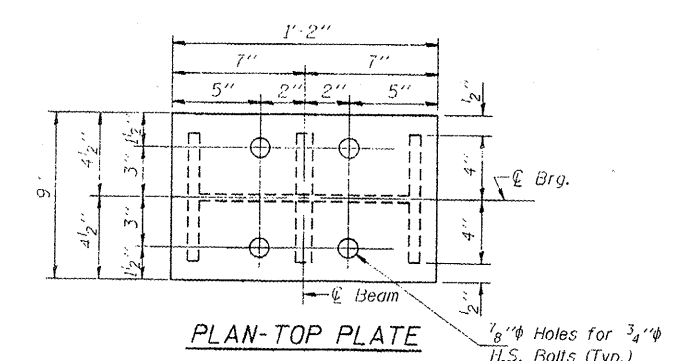
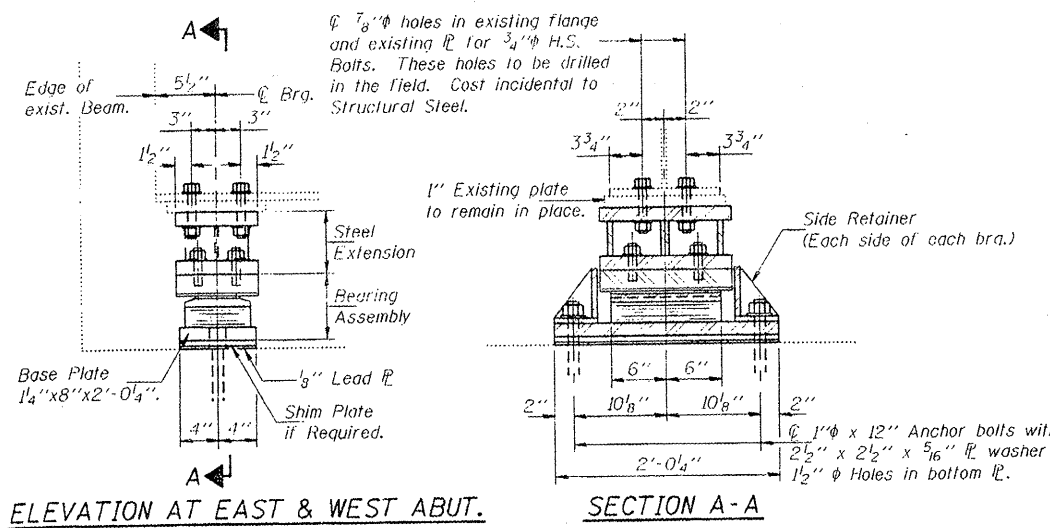


STRUCTURAL STEEL LAYOUT



**FOR INFORMATION ONLY
STRUCTURE 028-0022**

FILE NAME =	USER NAME = gautneyrk	DESIGNED -	REVISED -	STATE OF ILLINOIS DEPARTMENT OF TRANSPORTATION	SCALE: _____ SHEET NO. _____ OF _____ SHEETS STA. _____ TO STA. _____	RTE.	SECTION	COUNTY	TOTAL SHEETS	SHEET NO.
	PLOT SCALE = 4915.5259 1/4" IN.	DRAWN -	REVISED -			VAR. D9 BRIDGE PAINTING 2011-1	VARIOUS	ILLINOIS	12	7
	PLOT DATE = 12/9/2010	CHECKED -	REVISED -							
		DATE -	REVISED -			CONTRACT NO. 78236				
						ILLINOIS FED. AID PROJECT				