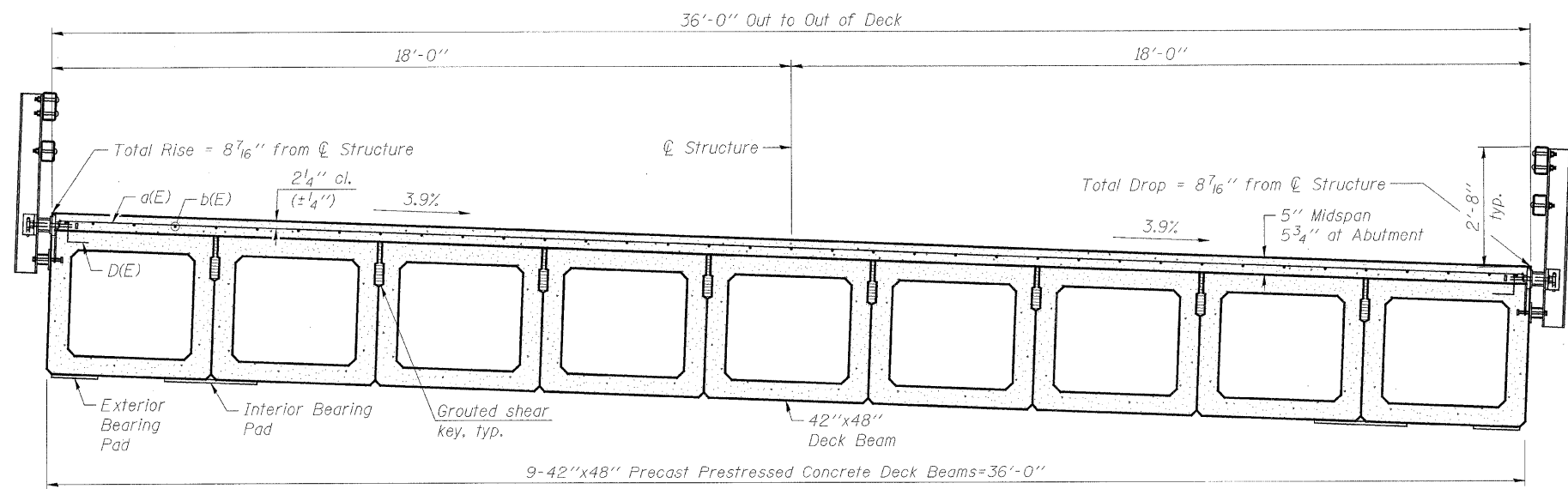
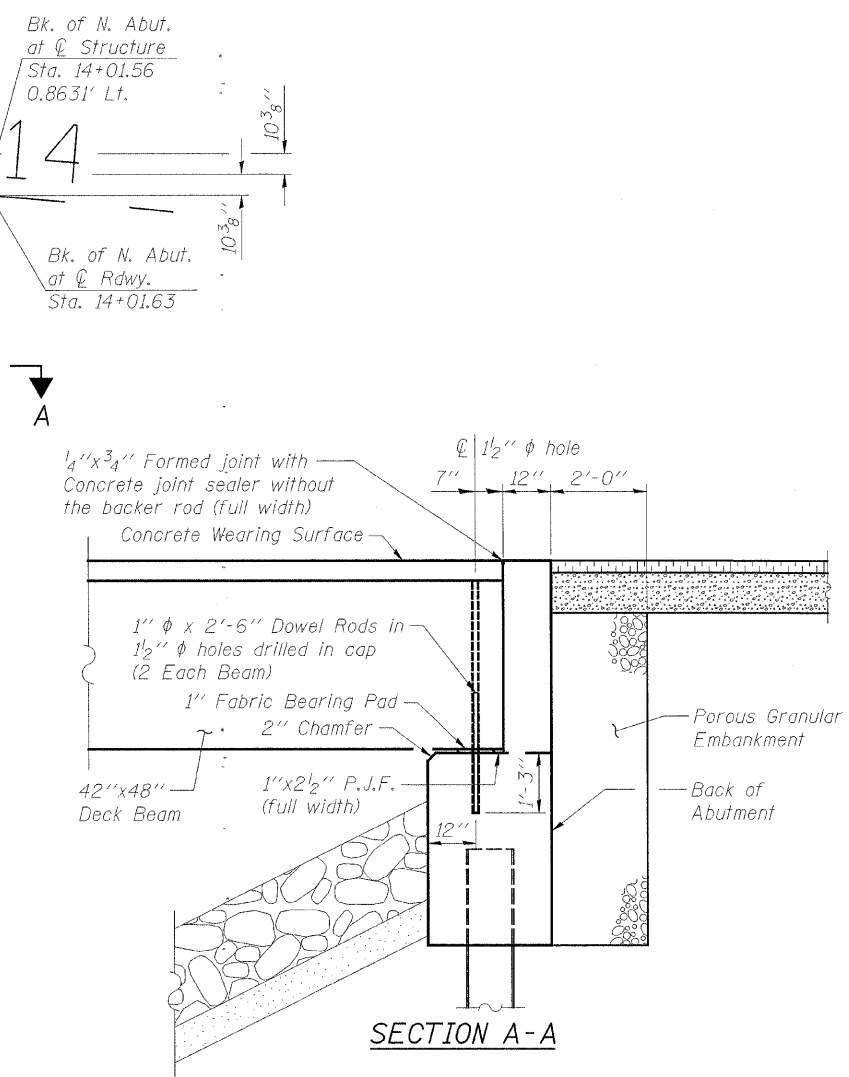


PLAN



CROSS SECTION
(Looking North)



SECTION A-A

NOTES:
 See Structural Sheet 4 of 12 for Superstructure Details and Bill of Material.
 See Structural Sheet 6 of 12 for fabric bearing pad details.
 Bars indicated thus 36x2-#4 etc. indicates 36 lines of bars with 2 lengths per line.
 Concrete wearing surface shall be placed prior to casting the backwalls.

SUPERSTRUCTURE
SCOUT CAMP ROAD OVER BR. OF APPLE RIVER
STATION 13+60 (S.N. 043-3276)
SECTION 09-00133-00-BR
JO DAVIESS COUNTY
 WHA # 1169D09

MINIMUM BAR LAP
 #4 bar = 2'-7"

STRUCTURAL SHEET NO. 3 OF 12 SHEETS	ROUTE NO.	SECTION	COUNTY	TOTAL SHEETS	SHEET NO.
	F.A.S. 73	09-00133-00-BR	Jo Daviess	48	23
	FED. ROAD DIST. NO. 7	ILLINOIS	FED. AID PROJECT-		

FILE NAME = s:\PROJECTS\2009\1169D09-09-00133-00-BR\STRUCTURE\DESIGN\1169D09-09-00133-00-BR-STRUC.DWG