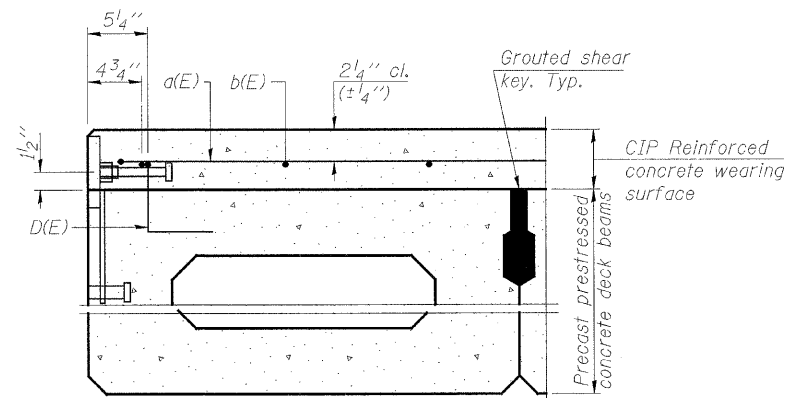
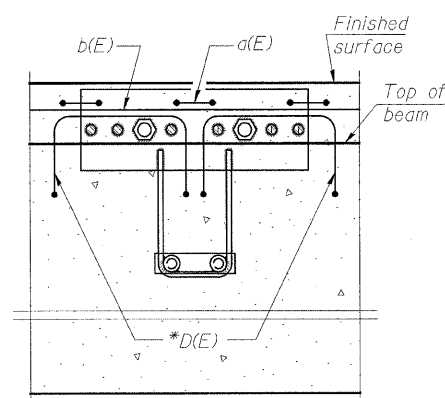


PLAN

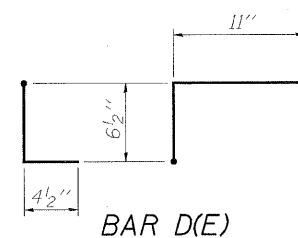
Note:
Formwork necessary for the wearing surface may be secured utilizing the bottom rail anchorage inserts and/or additional inserts cast into the beam.



SECTION THRU FASCIA BEAM

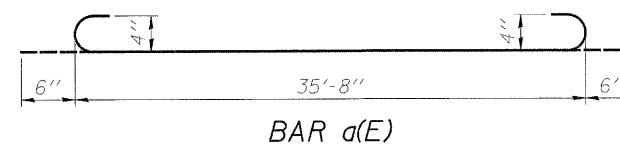


SECTION A-A

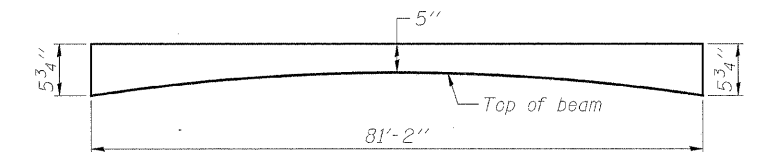


BAR D(E)

* Place 2- #4 D(E) bars in beam at each post location as shown. D(E) bar included in cost of beam.



BAR a(E)



ANTICIPATED CONCRETE WEARING SURFACE PROFILE
(For information only)

**SUPERSTRUCTURE
BILL OF MATERIAL**

Bar	No.	Size	Length	Shape
a(E)	82	#4	36'-8"	
b(E)	72	#4	41'-10"	
Reinforcement Bars, Epoxy Coated			Pound	4,020
Concrete Wearing Surface, 5"			Sq. Yd.	324.7

**SUPERSTRUCTURE DETAILS
SCOUT CAMP ROAD OVER BR. OF APPLE RIVER
STATION 13+60 (S.N. 043-3276)
SECTION 09-00133-00-BR
JO DAVIESS COUNTY
WHA # 1169D09**

MINIMUM BAR LAP
#4 bar = 2'-7"

STRUCTURAL SHEET NO. 4 OF 12 SHEETS	ROUTE NO.	SECTION	COUNTY	TOTAL SHEETS	SHEET NO.
	F.A.S. 73	09-00133-00-BR	Jo Daviess	48	24
	FED. ROAD DIST. NO. 7	ILLINOIS	FED. AID PROJECT-		