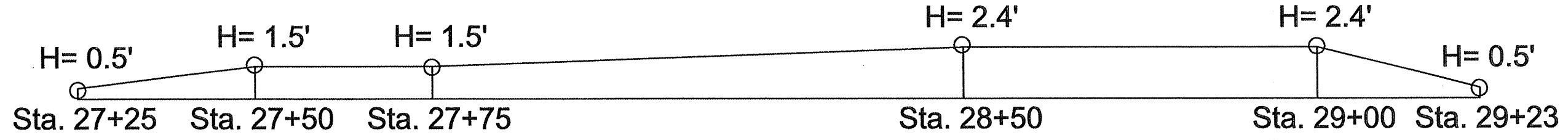


CONTRACT #	SECTION #	TOTAL SHEETS	SHEET NO.
89574	09-02201-24-SW	13	4

Curb Wall Height Detail

Start at Sta. 27+25

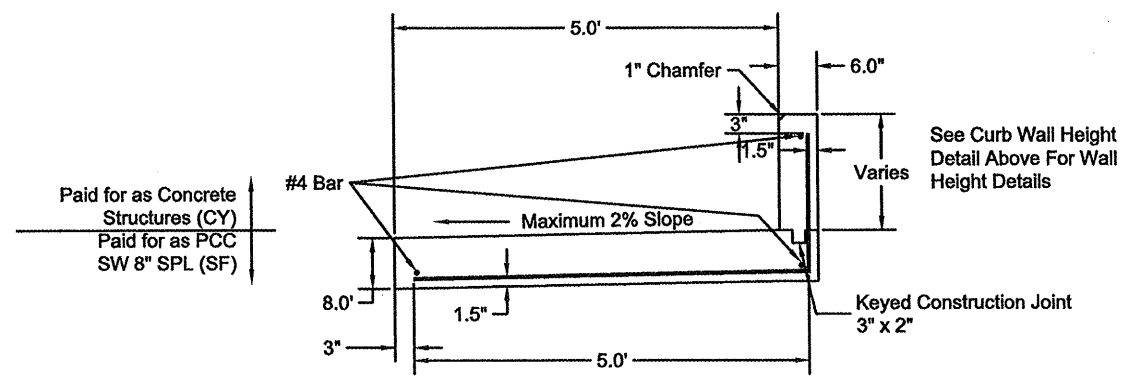
NOT TO SCALE



1. All curb wall heights are from the top of sidewalk.
2. All curb wall is to be paid for as "Concrete Structures" and is to be paid for by the Cubic Yard.
3. See the "PCC Sidewalk 8" (Special) Detail for more information.

PCC Sidewalk 8" (Special) Detail

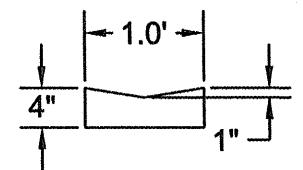
NOT TO SCALE



- Proposed PCC Curb Wall Detail**
1. All reinforcement bars shall be #4 and L Bars and shall be placed 24" on center.
 2. A keyed construction joint shall be required if the curb and the sidewalk are not poured monolithically.
 3. All reinforcement bars shall be epoxy coated.

Concrete Gutter Special

NOT TO SCALE



See Special Provisions for More Information

Safe Routes to School

North Street Details

SECTION # 09-02201-24-SW
PROJECT # SRTS 4009 (001)
CONTRACT 89574
JOB # C-40-073-09

ALESBURG, ILLINOIS
Proud Past • Strong Future